

# Catalog Number: UAT427-PG

## Features and Ratings

- Ring Type Meter Socket
- 200A Continuous, 250A Max., 600V AC
- Outdoor Enclosure (NEMA Type 3R)
- Painted G90 Steel
- 1 Phase, 3 Wire
- Meter Socket Type UAT4
- For Underground Service Only
- No Hub Opening

## Accessories

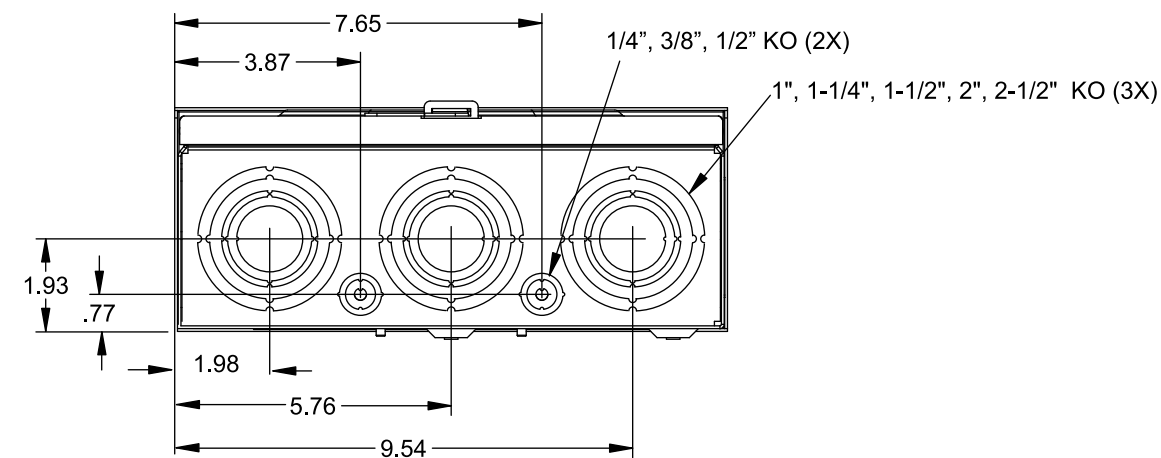
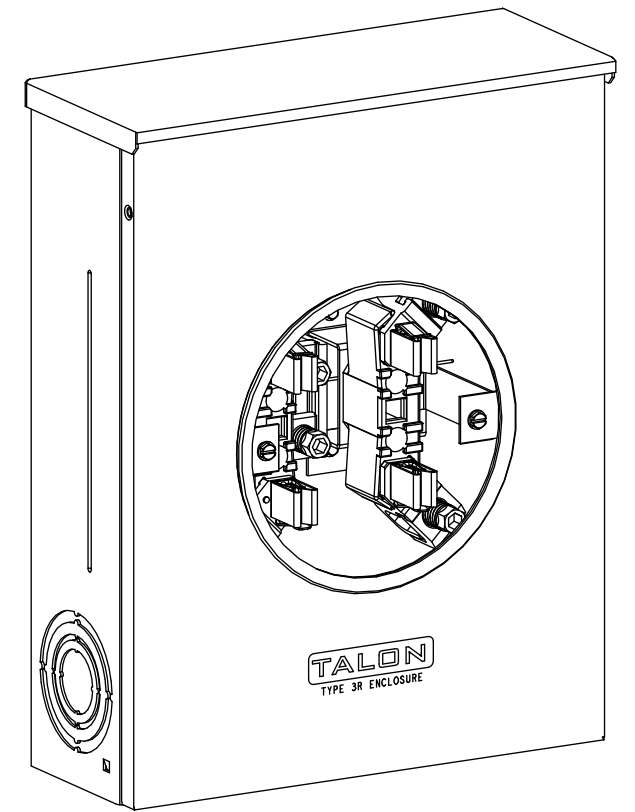
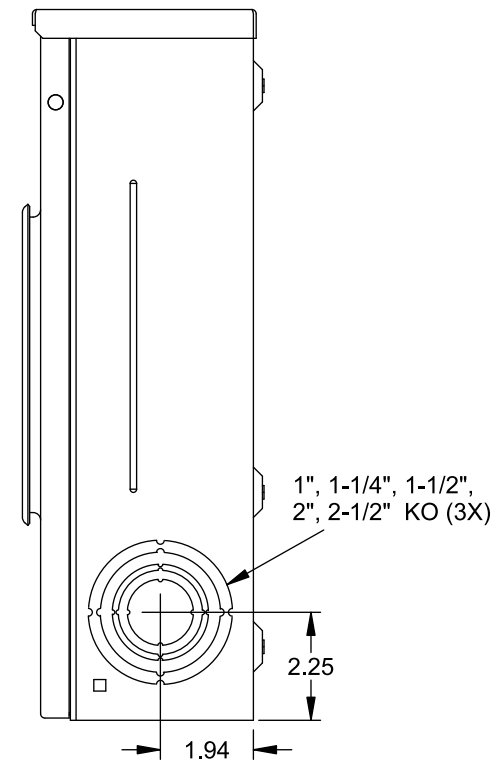
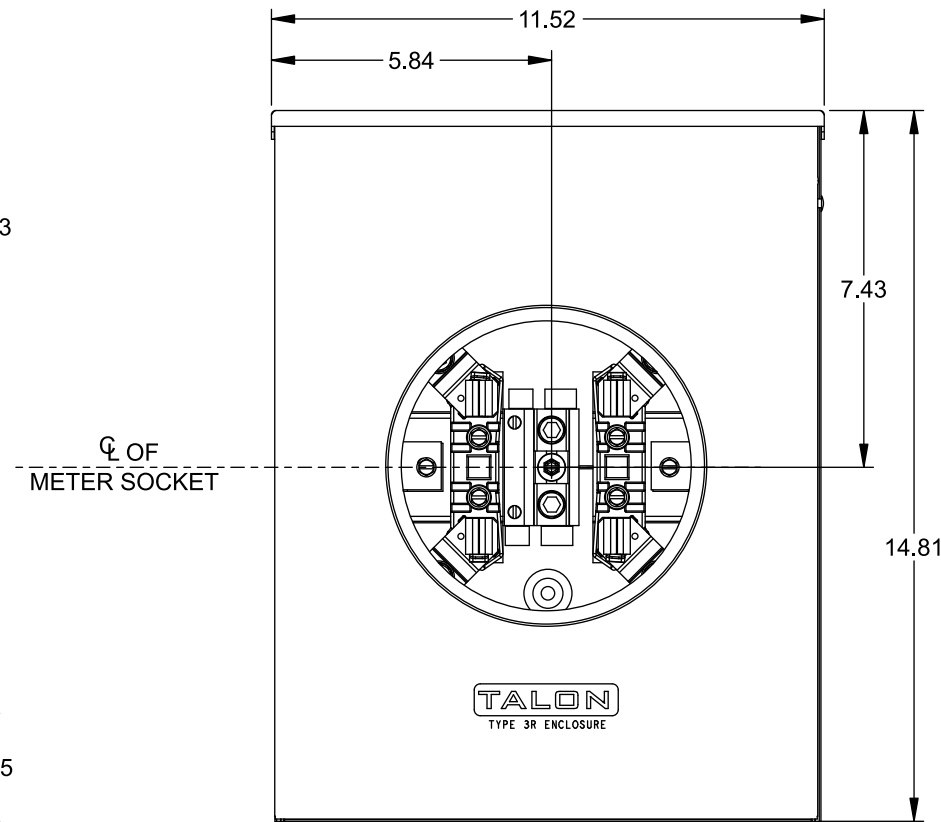
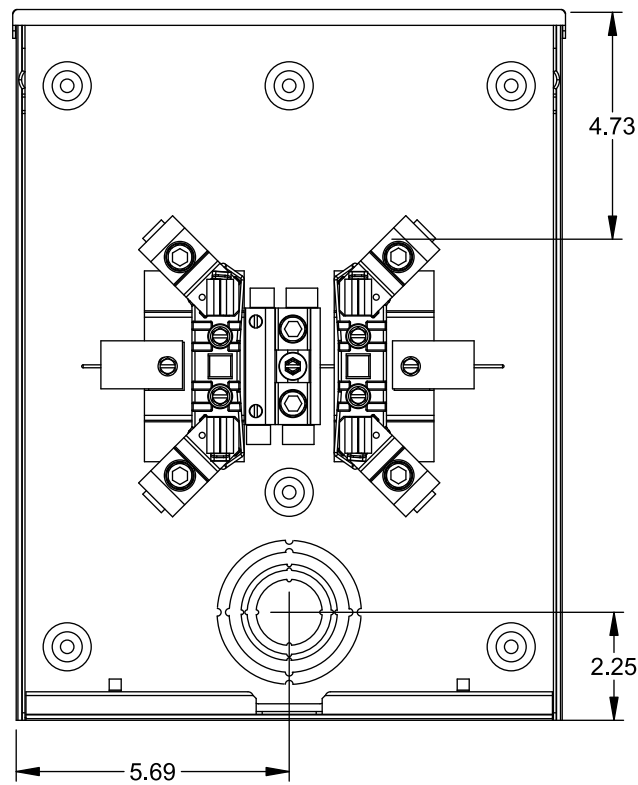
Meter Opening Cover Plate  
 Cat No: H659-0162  
 5th Jaw Kit  
 Cat. No: EC659-0121

## Connectors, Wire Sizes and Torques

CONNECTOR	WIRE SIZE	TORQUE
LINE, LOAD, NEUTRAL*	#6 - 350 kcmil	250 IN.-LBS.
GROUND	#2 - 14 AWG	50 IN.-LBS.

\* External Hex Drive 1/2"  
 \* Internal Hex Drive 5/16"

VIEW SHOWN WITH COVER REMOVED



© 2017 Copyright Siemens Industry, Inc.

**TALON**

**Meter Socket**

Description: **200A Cont, 4 Jaw, UAT4, UG, 600V AC, Painted Steel Enclosure**

KAM 12/5/17 DO NOT SCALE DRAWING Dwg No: **UAT427-PG**