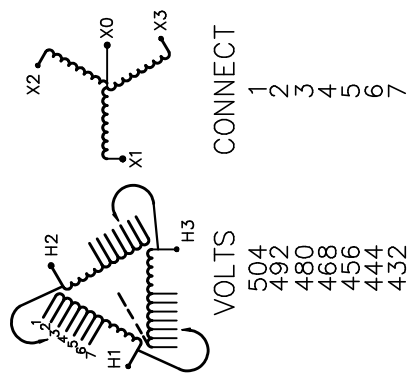


| | | | | |
|----------|------|---------|----------|----|
| REVISION | DATE | BY | DATE | BY |
| | | DRAWN | 17/07/17 | RM |
| | | CHEK'D | | |
| | | VERIF'D | | |

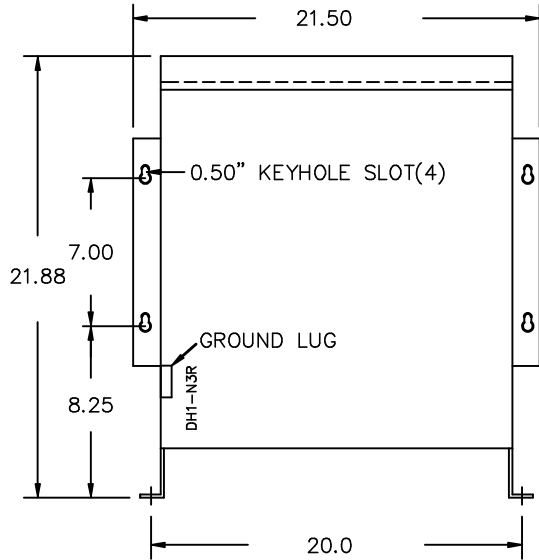
| | |
|------------------------|------------|
| Siemens Industry, Inc. | |
| CUSTOMER | |
| ORDER NO. | DWG. NO. |
| | 3F6Y015D16 |
| | SH 1 OF 3 |

SIEMENS

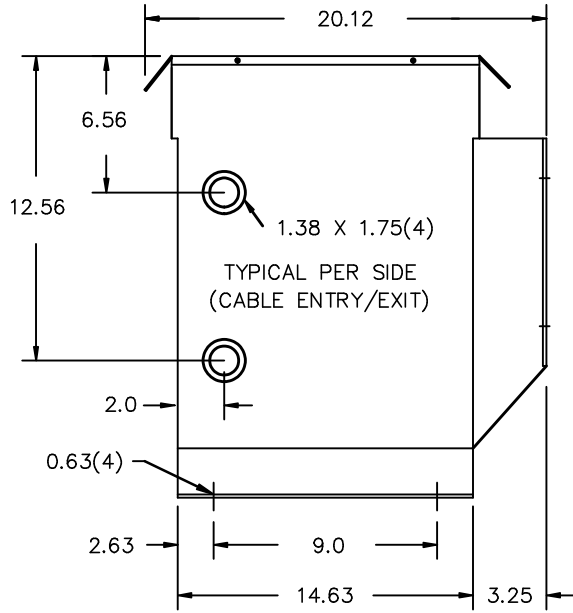
| | | | |
|---|----------------------|--|--|
| CATALOG NO. 3F6Y015D16 SERIAL NO. 15 kVA 60 Hz 3 PHASE 4.1 % IMP AT 170 °C | | SERIES H 3 PHASE | |
| 150 °C RISE | 30 °C AVG. AMBIENT | | |
| 220 °C TEMP CLASS | 40 °C MAX. AMBIENT | | |
| PRIMARY (H1 H2 H3) | 480 V 10 kV BIL | | |
| SECONDARY(X0 X1 X2 X3) | 380Y/219 V 10 kV BIL | | |
| WINDING MATERIAL AL | | | |
| ENCLOSURE TYPE 3R | | WEIGHT 180 LBS | |
| ENERGY EFFICIENCY EXCEEDS CSA C802.2-2012 DOE 10 CFR PART 431:2016 | | | |
| SPACINGS BETWEEN ANY VENTILATED ENCLOSURE PANEL AND ANY ADJACENT WALL SHALL BE A MINIMUM OF 3 INCHES | | | |
| SUITABLE FOR INDOOR OR OUTDOOR LOCATIONS BEFORE HANDLING, INSTALLING AND OPERATING, SEE INSTRUCTION MANUAL | | NEMA Class ANN Dry Type Transformer Siemens Industry, Inc. Norcross, GA <small>dsu0086e</small> | |



FRONT VIEW



SIDE VIEW



All Dimensions in inches

ENCLOSURE COLOR : ANSI-61 GREY PAINT OUTDOOR

HV TERMINAL DETAIL

LV TERMINAL DETAIL

MECHANICAL TYPE LUGS INCLUDED
SUITABLE FOR #14-2 CU/AL
CONDUCTORS
1 CONDUCTOR PER PHASE

MECHANICAL TYPE LUGS INCLUDED
SUITABLE FOR #14-2 CU/AL
CONDUCTORS
1 CONDUCTOR PER PHASE

CUSTOMER NOTES:

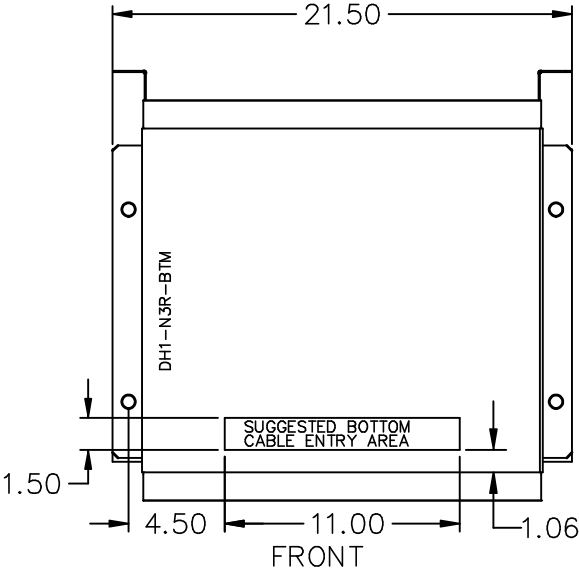
- HV TERMINATED AT TOP FRONT
- LV TERMINATED AT BOTTOM FRONT

Siemens Industry, Inc.

| REVISION | DATE | BY | DATE | BY |
|----------|------|----|----------|----|
| | | | 17/07/17 | RM |
| | | | | |
| | | | | |

| | | |
|-----------|------------|-----------|
| CUSTOMER | | |
| ORDER NO. | DWG. NO. | |
| | 3F6Y015D16 | SH 2 OF 3 |

ENCLOSURE BOTTOM VIEW



NOTE:
 WHEN BOTTOM CABLE ENTRY IS OPTED, THE SPACE USED FOR CONDUITS IN THE FRONT OF THE TRANSFORMER SHOULD NOT OBSTRUCT MORE THAN 50% OF THE FRONT AIR INTAKE AREA DEFINED BETWEEN THE BOTTOM PLATE AND THE SUPPORTING LEGS.
 SEE MANUAL FOR ADDITIONAL INFORMATION

Siemens Industry, Inc.

| REVISION | DATE | BY | DATE | BY |
|----------|------|---------|----------|----|
| | | DRAWN | 17/07/17 | RM |
| | | CHEK'D | | |
| | | VERIF'D | | |

| | | |
|-----------|------------|-----------|
| CUSTOMER | | |
| ORDER NO. | DWG. NO. | |
| | 3F6Y015D16 | SH 3 OF 3 |