

# Feed Thru Main Modules

## Power Mod™

### WBT - Feed Thru Mains

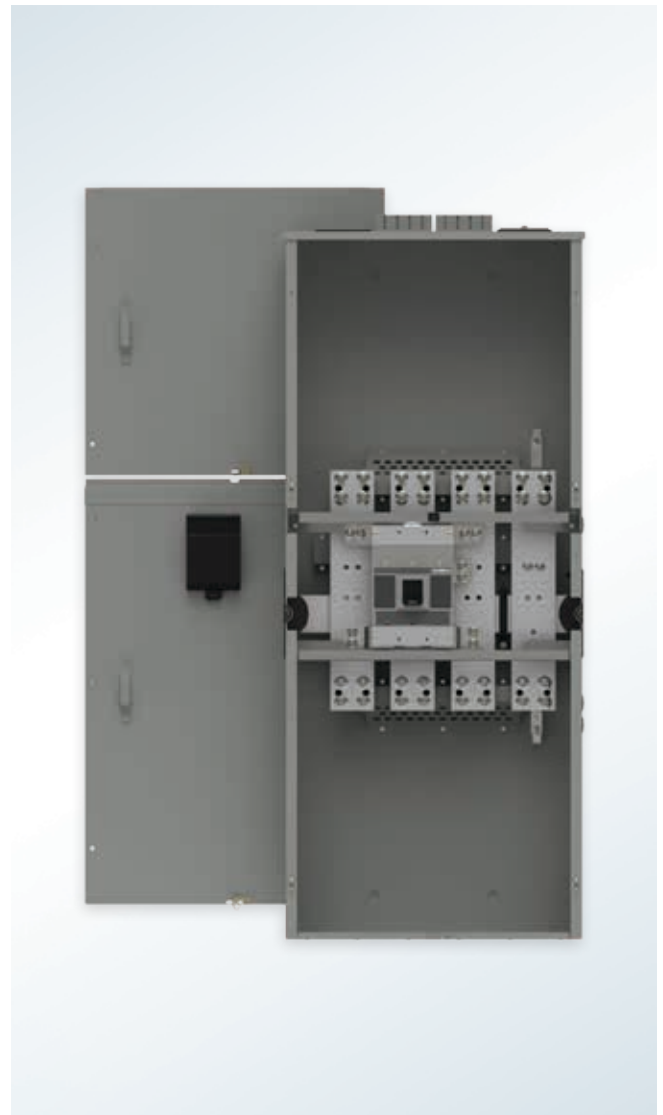
Feed thru mains (type WBT) offer the ability to pull conductors in and out of the enclosure for riser cable applications utilizing incoming and outgoing bus connections (including lug provisions). In addition, a breaker is included, that feeds the cross bus for the meter stacks on this floor. Users do not have to utilize any additional tap boxes as lug provisions are already included in the units. This can save the end-user on the material cost of the meter bank as well as providing a disconnect per floor while saving precious wall space. Please see the applications pages for more information.

### Features include:

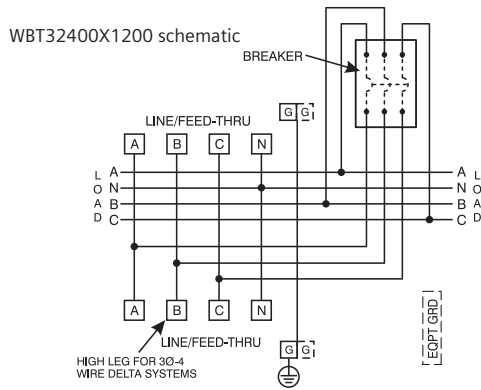
- QuickSystem features
- Incoming & Outgoing PowerMod thru bus
- Standard compression lug capability
- 65K AIC standard, 100K AIC available for all models
- Main breaker with broad ampacity ratings up to 1200A with non-standard amperages available (such as 700, 900, etc...)
- Field installable shunt trip

### Feed Thru Mains Quick Reference

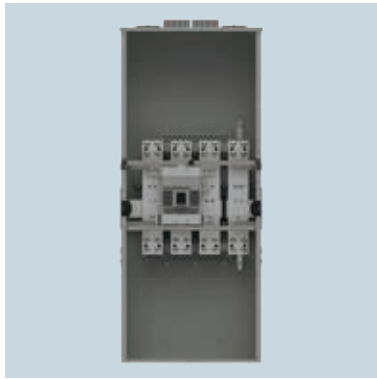
- 200 - 1200A (breaker)
- 1200 - 2400A (feed thru)
- 1200 thru-bus rating
- UL Standard #67
- UL file #E27100
- AIC rating (65K & 100K)
- Voltage:
  - Three Phase 240V AC max
- All swing latches and rivets are stainless steel
- NEMA 3R (outdoor)
- G90 Galvanized Steel
- ANSI 61 Paint



# Power Mod: Type WBT Feed Thru Main Units



- Connects via lugs and service entrance rated.
- Lug kits not included. (2) Lug kits must be ordered separately per module.



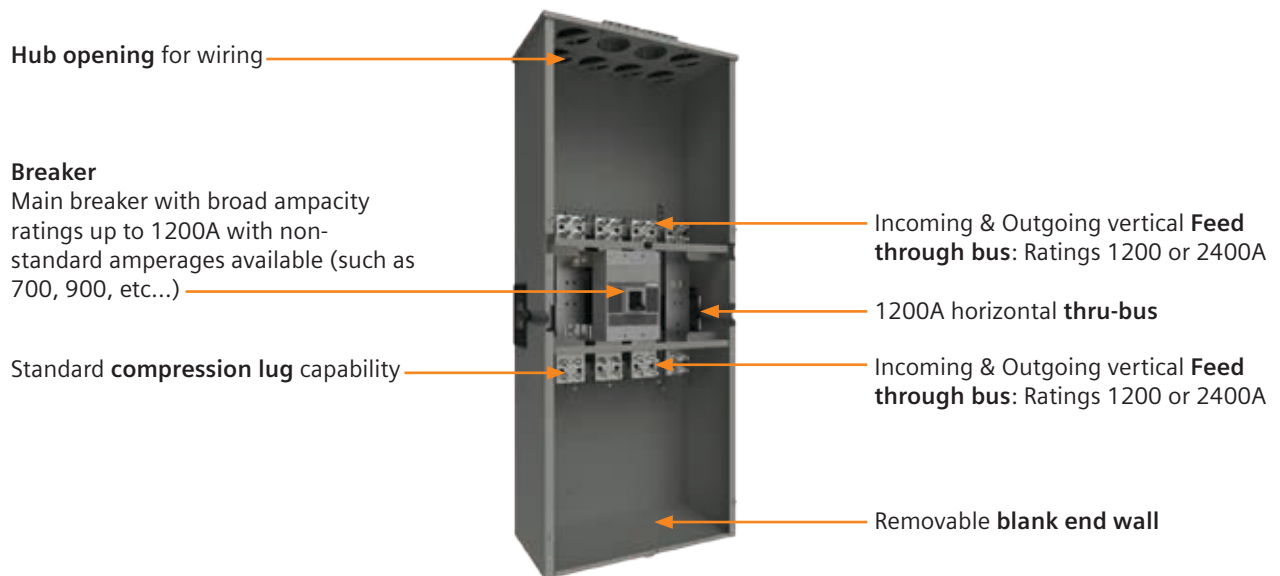
## Type WBT Feed Thru Main Units

| Catalog Number (65KAIC) | Catalog Number (100KAIC) | Catalog Number (65KAIC) Blank end Wall | Catalog Number (100KAIC) Blank end Wall | Breaker Amperage Rating | Feed Through Bus Rating | Breaker Type | Dimensions (inches) <sup>①</sup> |       |       |
|-------------------------|--------------------------|--|---|-------------------------|-------------------------|--------------|----------------------------------|-------|-------|
|                         |                          |  |   |                         |                         |              | Height                           | Width | Depth |

### 3-phase, 4-wire SN, 240V AC Max.

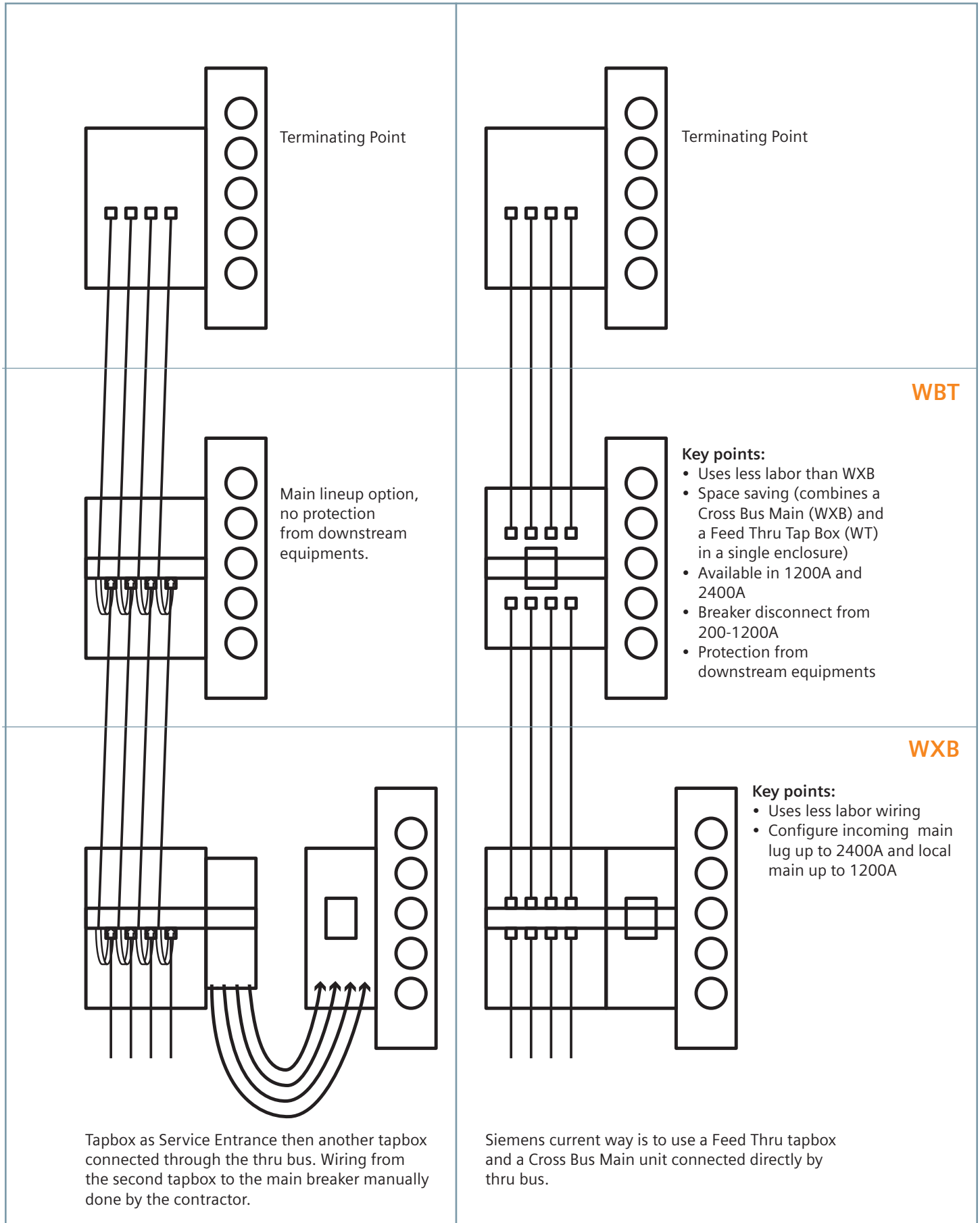
|             |              |               |                |      |      |      |       |       |       |
|-------------|--------------|---------------|----------------|------|------|------|-------|-------|-------|
| WBT312X200  | WBT312X200U  | WBT312X200NH  | WBT312X200UNH  | 200  | 1200 | JXD6 | 66.21 | 27.59 | 13.30 |
| WBT312X250  | WBT312X250U  | WBT312X250NH  | WBT312X250UNH  | 250  | 1200 | JXD6 | 66.21 | 27.59 | 13.30 |
| WBT312X300  | WBT312X300U  | WBT312X300NH  | WBT312X300UNH  | 300  | 1200 | JXD6 | 66.21 | 27.59 | 13.30 |
| WBT312X350  | WBT312X350U  | WBT312X350NH  | WBT312X350UNH  | 350  | 1200 | JXD6 | 66.21 | 27.59 | 13.30 |
| WBT312X400  | WBT312X400U  | WBT312X400NH  | WBT312X400UNH  | 400  | 1200 | JXD6 | 66.21 | 27.59 | 13.30 |
| WBT312X450  | WBT312X450U  | WBT312X450NH  | WBT312X450UNH  | 450  | 1200 | JXD6 | 66.21 | 27.59 | 13.30 |
| WBT312X500  | WBT312X500U  | WBT312X500NH  | WBT312X500UNH  | 500  | 1200 | LDX6 | 66.21 | 27.59 | 13.30 |
| WBT312X600  | WBT312X600U  | WBT312X600NH  | WBT312X600UNH  | 600  | 1200 | LDX6 | 66.21 | 27.59 | 13.30 |
| WBT324X700  | WBT324X700U  | WBT324X700NH  | WBT324X700UNH  | 700  | 2400 | MXD6 | 79.75 | 35.55 | 16.96 |
| WBT324X800  | WBT324X800U  | WBT324X800NH  | WBT324X800UNH  | 800  | 2400 | MXD6 | 79.75 | 35.55 | 16.96 |
| WBT324X900  | WBT324X900U  | WBT324X900NH  | WBT324X900UNH  | 900  | 2400 | NXD6 | 79.75 | 35.55 | 16.96 |
| WBT324X1000 | WBT324X1000U | WBT324X1000NH | WBT324X1000UNH | 1000 | 2400 | NXD6 | 79.75 | 35.55 | 16.96 |
| WBT324X1200 | WBT324X1200U | WBT324X1200NH | WBT324X1200UNH | 1200 | 2400 | NXD6 | 79.75 | 35.55 | 16.96 |

① Dimensions subject to changes.



## Building A: Method from our competitors

## Building B: Method with Siemens exclusive Feed Thru Main



Siemens Industry, Inc.  
5400 Triangle Parkway  
Norcross, GA 30092

1-800-241-4453  
info.us@siemens.com

Subject to change without prior notice  
Order No. RPFL-PMFTM-0316  
Printed in USA  
All rights reserved  
© 2016, Siemens Industry, Inc.

Subject to changes and errors. The information given in this document only contains general descriptions and/or performance features which may not always specifically reflect those described, or which may undergo modification in the course of further development of the products. The requested performance features are binding only when they are expressly agreed upon in the concluded contract.

[www.usa.siemens.com/powermod](http://www.usa.siemens.com/powermod)