

SIEMENS Indoor Load Center

Catalog Number **G2430L1125CUSG** Series - Enclosure **Type 1**

RATINGS:
125A MAXIMUM - SEE MAIN BREAKER RATING IF USED.
BACK-FED BREAKER REQUIRES HOLD-DOWN KIT ECMBR2.
120/240 V~, 60 HZ, 1Ø 3W
2ØRV/120 V~, RØ H7, 1Ø 3W

FOR INSTALLATION BY A QUALIFIED PERSON IN ACCORDANCE WITH ALL LOCAL ELECTRICAL CODES AND/OR THE NATIONAL ELECTRICAL CODE ®.

SUITABLE FOR USE AS SERVICE EQUIPMENT WHEN MAIN BREAKER AND NEUTRAL TIE STRAP ARE INSTALLED. WHEN USED AS SERVICE EQUIPMENT, APPLY "SERVICE DISCONNECT" LABEL TO FRONT NEXT TO MAIN BREAKER HANDLE.

SUM OF QT BREAKER RATING IS NOT TO EXCEED 110 AMPS PER BRANCH CIRCUIT BUS STAB.

TO RESET BREAKERS WITH TRIPPED HANDLE POSITION BETWEEN "ON" AND "OFF", MOVE HANDLE TO "OFF" THEN TO "ON".

REMOVE TWISTOUTS FROM TRIM ONLY WHERE BREAKERS WILL BE INSTALLED. ALL OPENINGS MUST BE FILLED WITH BREAKERS OR FILLER PLATES. USE ONE ECMBF125 FILLER PLATE TO FILL 100-125A MAIN BREAKER OPENING.

THIS LOAD CENTER IS INVERTIBLE FOR BOTTOM FEED APPLICATIONS.

Siemens Energy & Automation, Inc. Alpharetta, Georgia U.S.A. **J2** 4094700 Rev.D

IMPORTANT: DO NOT ALLOW PETROLEUM BASED (HYDROCARBON) SPRAYS, CHEMICALS, SOLVENTS OR ANY PAINT TO CONTACT INTERIOR COMPONENTS. PETROLEUM BASED CHEMICALS CAN CAUSE DEGRADATION OF ELECTRICAL INSULATING MATERIALS.

⚠ DANGER

Hazardous Voltage.
Will cause death, serious injury or substantial property damage.

Turn off power supplying this equipment before working inside.

⚠ PELIGRO

Voltaje peligroso. Causará la muerte, lesiones graves o daño substancial a la propiedad.

Desconecte el suministro de energía a este equipo antes de trabajar en su interior.

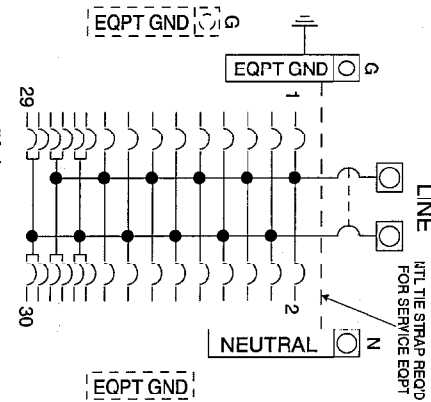
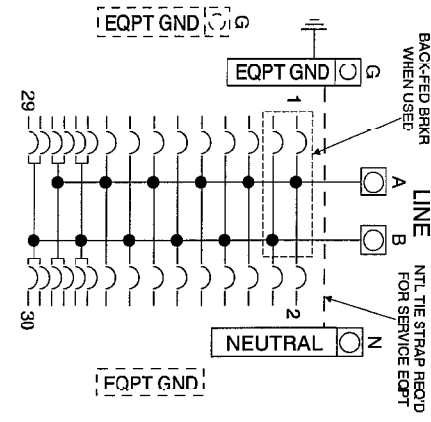
SHORT CIRCUIT CURRENT RATING
THIS PANELBOARD HAS A MAXIMUM SHORT CIRCUIT CURRENT RATING OF 100,000 AMPS RMS SYMMETRICAL, 120/240V~. THE ACTUAL RATING IS DEPENDENT ON THE BRANCH BREAKERS INSTALLED IN THIS PANELBOARD AND THE MAIN/FEEDER BREAKER, IF ANY, INSTALLED AHEAD OF THIS PANELBOARD. THE CORRECT MAIN BREAKER/FEEDER/MAIN BREAKER/PANELBOARD MAIN BREAKER/BRANCH BREAKER SERIES COMBINATIONS TO BE USED ARE LISTED IN THE TABULATION BELOW. ANY CIRCUIT BREAKER INSTALLED, REPLACED, OR ADDED IN THIS PANELBOARD MUST BE MANUFACTURED BY SIEMENS AND MUST BE OF THE CORRECT TYPE AS INDICATED IN THE TABULATION BELOW. USE OF OTHER CIRCUIT BREAKERS IN THIS EQUIPMENT WILL VOID THE WARRANTY.

MAIN BREAKER WHEN THE MAIN PROTECTING THE SYSTEM IS A	FEEDER/MAIN BREAKER AND THE BREAKER PROTECTING THIS PANELBOARD IS A SIEMENS TYPE	PANELBOARD MAIN AND THE INSTALLED MAIN BREAKER IN THIS PANELBOARD IS A SIEMENS TYPE	BRANCH BREAKER AND THE BRANCH BREAKERS INSTALLED ARE SIEMENS TYPE	THEN THE MAX SHORT CIRCUIT CURRENT RATING IN RMS SYMMETRICAL AMPS, 120/240 V~ IS
NONE USED OR SIEMENS BREAKER TYPES JXD2(-A), JD6(-A), JXD6(-A), HJD6(-A), HJXD6(-A), LD6(-A), LXD6(-A), HLD6(-A), HJXD6(-A), MD6, MXD6, HMD6, HMXD6, NDS, NXD6, HND6, HNXD6, PD6, PXD6, HPD6, HPXD6, RD6, RXD6, HRD6, HFXD6, OR CLASS J, T, R OR L FUSES	QP, BQ, BL	NONE USED OR EQ8681 OR EQ8682 OR QP	QP, QG, QT, QPH, HQP, QPF, QPHF, QP, QE, QEH, QAF, QAFH	10,000
NONE USED	QPH, DQH, DLH	NONE USED OR EQ8681 OR EQ8682 OR QPH	QP, QT, QPH, HQP, QPF, QPHF, QE, QEH, QAF, QAFH	22,000
NONE USED	NONE USED	NONE USED	QPH, QEH, QPHF, QAFH	65,000
SIEMENS BREAKER TYPES JXD2(-A), JD6(-A), JXD6(-A), HJD6(-A), HJXD6(-A), LD6(-A), LXD6(-A), HLD6(-A), HJXD6(-A), MD6, MXD6, HMD6, HMXD6, NDS, NXD6, HND6, HNXD6, PD6, PXD6, HPD6, HPXD6, RD6, RXD6, HRD6, HFXD6, OR CLASS J, T, R OR L FUSES	QPH, BQH, BLH, HQP, HBQ, HBL	NONE USED, EQ8681, EQ8682 OR HQP	QP, QT, QPH, HQP, QPF, QPHF, QE, QEH, QAF, QAFH	
SIEMENS BREAKER TYPE ED4, ED6	NONE USED OR QP, BQ, BL, QPH, BQH, BLH, HQP, HBQ, HBL	NONE USED	HQP, HBQ, HBL	100,000
NONE USED	NONE USED	NONE USED	HQP	
SIEMENS BREAKER TYPES HED4, HED6, HFD6, HFXD6 3ØV T FUSES - 200A MAX ØØV T FUSES - 600A MAX	NONE USED OR QP, BQ, BL, QPH, BQH, BLH, HQP, HBQ, HBL	NONE USED OR EQ8681 OR EQ8682	QP, QT, QPH, HQP, QPF, QPHF, QE, QEH, QAF, QAFH	

‡ THIS PANELBOARD IS A MAIN LUG DEVICE THAT MAY BE CONVERTED TO MAIN BREAKER WITH THE ADDITION OF FIELD INSTALLED MAIN BREAKER KIT OR A MAIN BREAKER DEVICE THAT MAY BE CONVERTED TO MAIN LUG WITH THE ADDITION OF MAIN LUGS. SEE ACCESSORY TABLE FOR CATALOG NUMBERS OF APPROPRIATE KITS.

MAIN LUG / MAIN BREAKER KITS		ACCESSORIES		TERMINALS			WIRE			TORQUE		
USE APPROPRIATE KIT FROM CHART BELOW TO CONVERT PANEL.				DESCRIPTION	CAT. NO.	A, B, N, G	2Ø 4 AWG	110 LB-INS				
DESCRIPTION	CAT. NO.	DOOR LOCK	EQQL2	NEUTRAL/GROUND BARS (USE TYPE GB GROUND BAR KIT ACCESSORY)		10-14 CU/10-12 AL	20 LB-INS					
100 AMP MAIN BREAKER	MBK100A	FILLER PLATE, 1"	QF3	GROUND CONDUCTORS ONLY		8 AWG	25 LB-INS					
125 AMP MAIN BREAKER	MBK125A	BREAKER HOLD-DOWN	ECMBR2	(2) 14 AWG		6-4 AWG	35 LB-INS					
100-125 AMP MAIN LUG	ECMLK125	MAIN BREAKER FILLER PLATE	ECMBF125	(2) 12-10 AWG		2Ø 2 AWG	45 LB-INS					
		BONDABLE GROUND LUG	ECLKB1			2Ø 4 AWG	135 LB-INS					
		SUBFEED LUG KIT	ECLK2125	MAIN LUG MAIN BRKR TO BUS CONNECTION (1/4-20 NUT)			45 LB-INS					
		STANDBY PWR INTERLOCK KITS:	ECSPK01, ECSPK02, ECSPK04	BONDING SCREW			45 LB-INS					

Assembled in Mexico
© 2005 Copyright Siemens Energy & Automation, Inc.
© The National Electrical Code is a registered trademark of the National Fire Protection Association.



COLOR: PMS485 (RED)

PRINT COLOR: BLACK EXCEPT AS SHOWN
MATERIAL: FASSON UL LITHO 40FS-7305G (SPEC# 10254)
ALTERNATE MAT'L: 60# FASSON CRACK'N'PEEL PLUS, UNCOATED OFFSET,
SUPER PERMANENT ADHESIVE WITH 83# LINER

DESIGN RESPONSIBILITY LOCATION:
SEA-NORCROSS

PRINT DISTRIBUTION
ECN COPIES MUST BE ISSUED TO ALL CHECKED LOCATIONS FOR APPROVAL PRIOR TO CHANGE

SEA-TUC SEA-DRM McPHER
 SEA-NOR DUR-LEB CHOICE
 SEA-EL DUR-HOU IC-ASY
 SEA-IT2 SEA-BEL *

					UNLESS OTHERWISE SPECIFIED DIMENSIONS ARE IN INCHES					-CONFIDENTIAL- PROPERTY OF Siemens Energy & Automation, Inc. Residential Products Division				
					TOLERANCES: .XX ±.12 .XXX HOLE DIAMETER ±.005 ANGULAR UNDIMENSIONED 90° ANGLES ±0°30'					WIRING DIAGRAM				
					OWN KAM		DATE 12/9/02		SIZE B	ISSUE RELEASE NO. 01-080-14		DWG. NO. 4094703		REV B
					CHK CDH		DATE 12/10/02			SCALE 1:1		DO NOT SCALE DRAWING		SHEET 1 OF 1
1st ARTICLE	EDR NO.	REV	DATE	DESCRIPTION	BY	APVD	CDH	DATE 12/10/02						

	05-042-10	B	11/23/05	REVISE FOR TRANSFER TO ITESA2. TRANSFER DES. CONTROL TO NORCROSS.	KAM
	01-080-14	A	12/9/02	ISSUE	KAM