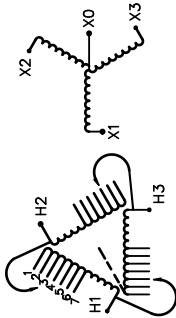




# SIEMENS

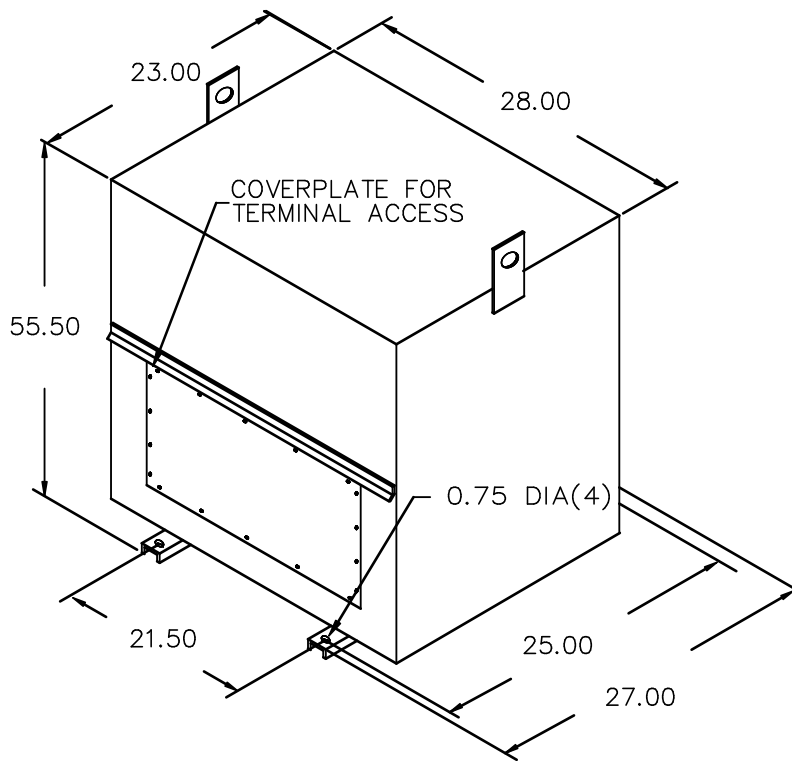
CATALOG NO. 3F3Y045CTE SERIAL NO. SERIES H 45 kVA 60 Hz 3 PHASE 2.9 % IMP AT 170 °C		
150 °C RISE 30 °C AVG. AMBIENT 220 °C TEMP CLASS 40 °C MAX. AMBIENT PRIMARY ( H1 H2 H3 ) 480V V SECONDARY(X0 X1 X2 X3 ) 208Y/120 V		
WINDING MATERIAL CU ENCLOSURE TYPE NEMA-4 WEIGHT 755 LBS		VOLTS CONNECT 504 1 492 2 480 3 468 4 456 5 444 6 432 7
SPACINGS BETWEEN ENCLOSURE AND ANY ADJACENT WALL SHALL BE A MINIMUM OF 3 INCHES		TYPE KN DRY TYPE TRANSFORMER 771US E112313  
DO NOT INSTALL IN AREAS ACCESSIBLE TO PUBLIC NE PAS INSTALLER DANS DES ENDROITS ACCESSIBLES AU PUBLIC SUITABLE FOR INDOOR OR OUTDOOR LOCATIONS BEFORE HANDLING, INSTALLING AND OPERATING, SEE INSTRUCTION MANUAL		
NEMA ClassANC Dry Type Transformer Siemens Industry, Inc. Norcross, GA		dau0001e



3F3Y045CTE

REVISION	DATE	BY	DATE	BY
		DRAWN	04/03/23	JW
		CHEK'D		
		VERIF'D		

Confidential – Property of <b>Siemens Industry, Inc.</b> Building Technologies Division		
CUSTOMER		
ORDER NO.	DWG. NO.	
	3F3Y045CTE	SH 1 OF 2



All Dimensions in inches

ENCLOSURE COLOR ANSI 61 GREY – OUTDOOR

H.V.1. TERMINAL DETAIL

L.V.1. TERMINAL DETAIL

MECHANICAL TYPE LUGS INCLUDED  
SUITABLE FOR #2/0-6 CU/AL  
CONDUCTORS  
1 CONDUCTOR PER PHASE

MECHANICAL TYPE LUGS INCLUDED  
SUITABLE FOR 600MCM-2 CU/AL  
CONDUCTORS  
1 CONDUCTOR PER PHASE

CUSTOMER NOTES:

- HV1 TERMINATED AT TOP FRONT
- LV1 TERMINATED AT BOTTOM FRONT

Confidential – Property of  
**Siemens Industry, Inc.**  
Building Technologies Division

REVISION	DATE	BY	DATE	BY
		DRAWN	04/03/23	JW
		CHEK'D		
		VERIF'D		

CUSTOMER		
ORDER NO.	DWG. NO.	
	3F3Y045CTE	SH 2 OF 2

0.2 gpatel 2013/05/22 2:35:06