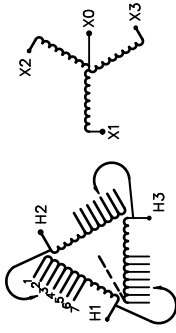




SIEMENS

CATALOG NO. 3F3Y075FCTE SERIAL NO. SERIES H 75 kVA 60 Hz 3 PHASE 3 % IMP AT 135 °C		
115 °C RISE 30 °C AVG. AMBIENT 220 °C TEMP CLASS 40 °C MAX. AMBIENT PRIMARY (H1 H2 H3) 480 V SECONDARY(X0 X1 X2 X3) 208Y/120 V WINDING MATERIAL CU ENCLOSURE TYPE NEMA-4 WEIGHT 870 LBS		
SPACINGS BETWEEN ENCLOSURE AND ANY ADJACENT WALL SHALL BE A MINIMUM OF 5 INCHES		VOLTS CONNECT 504 1 492 2 480 3 468 4 456 5 444 6 432 7
SUITABLE FOR INDOOR OR OUTDOOR LOCATIONS BEFORE HANDLING, INSTALLING AND OPERATING, SEE INSTRUCTION MANUAL NEMA ClassANC Dry Type Transformer Siemens Industry, Inc. Norcross, GA		TYPE KN DRY TYPE TRANSFORMER 77US E112313  

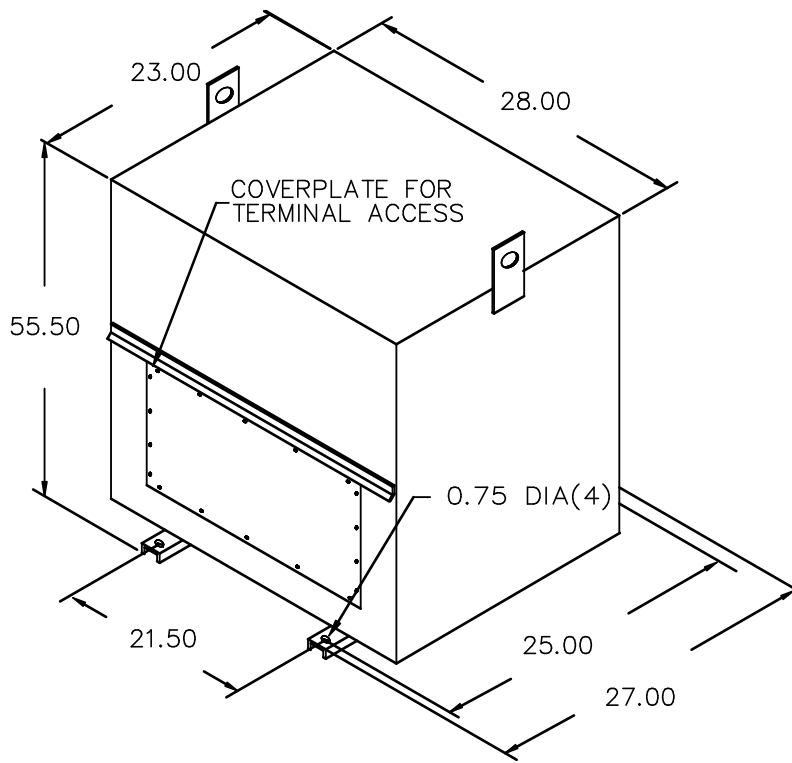


3F3Y075FCTE

Confidential – Property of Siemens Industry, Inc. Building Technologies Division	
CUSTOMER	
ORDER NO.	DWG. NO. 3F3Y075FCTE
SH 1 OF 2	

REVISION	DATE	BY	DATE	BY
		DRAWN	09/04/20	RM
		CHEK'D		
		VERIF'D		

dau0001e



All Dimensions in inches

ENCLOSURE COLOR ANSI 61 GREY – OUTDOOR

H.V.1. TERMINAL DETAIL

L.V.1. TERMINAL DETAIL

MECHANICAL TYPE LUGS INCLUDED
SUITABLE FOR #2/0-6 CU/AL
CONDUCTORS
1 CONDUCTOR PER PHASE

MECHANICAL TYPE LUGS INCLUDED
SUITABLE FOR 600MCM-2 CU/AL
CONDUCTORS
1 CONDUCTOR PER PHASE

CUSTOMER NOTES:

- HV1 TERMINATED AT TOP FRONT
- LV1 TERMINATED AT BOTTOM FRONT

Confidential – Property of
Siemens Industry, Inc.
Building Technologies Division

REVISION	DATE	BY	DATE	BY	CUSTOMER
			09/04/20	RM	
			CHEK'D		
			VERIF'D		
					ORDER NO.
					DWG. NO. 3F3Y075FCTE
					SH 2 OF 2

0.0 jwen 2010/01/21 14:03