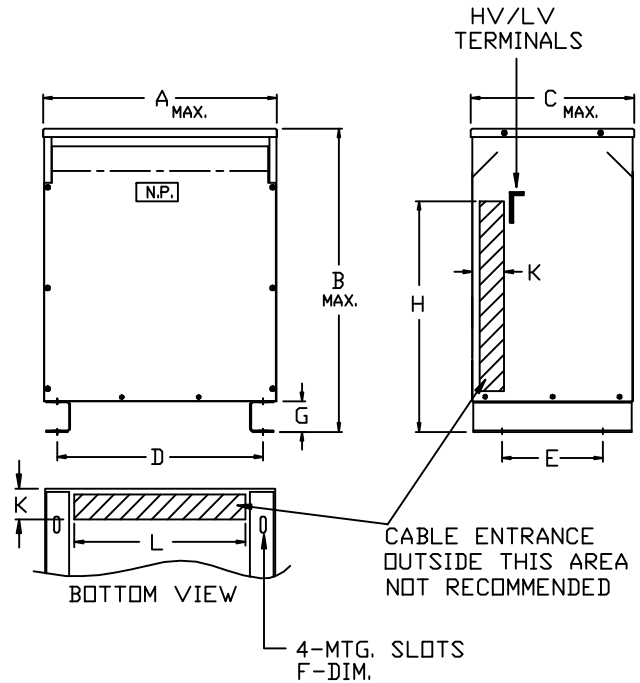


SIEMENS

DRY TYPE TRANSFORMERS

NOTES:

1. ALL UNITS ARE UL LISTED AND ARE DESIGNED IN ACCORDANCE WITH ANSI C89.2 AND NEMA ST-20 STANDARDS.
2. THESE TRANSFORMERS UTILIZE A UL RECOGNIZED 220°C INSULATION SYSTEM, TEMPERATURE RISE AS INDICATED IN THE TABLE.
3. TRANSFORMERS ARE DRY TYPE, CLASS AA, VENTILATED ENCLOSURE FOR INDOOR USE. OPTIONAL WEATHER KITS ARE AVAILABLE FOR ADAPTING THE UNIT FOR 3R USE WITHOUT VOIDING THE UL LABEL.
4. FOR LIFTING OTHER THAN WITH FORK TRUCK, REMOVE TOP COVER AND USE CORE CLAMPS FOR 112.5KVA & UP.
5. PAINT COLOR IS ANSI #61 GRAY.
6. FULL WIDTH COPPER ELECTROSTATIC SHIELD (OPTIONAL).
7. 6" REQUIRED CLEARANCE FROM THE WALLS.
8. HV/LV TERMINALS ARE TOP FRONT TERMINATED.



DIMENSIONS IN (E)=INCHES & (M)=CENTIMETERS

KVA	TEMP. RISE °C	NET WT. LBS.	A		B		C		D		E		F		G		H		K		L	
			E	M	E	M	E	M	E	M	E	M	E	M	E	M	E	M	E	M	E	M
			15	150	250	19.0	48.3	22.0	55.9	16.0	40.6	16.3	41.4	12.0	30.5	.56x1.13	1.4x2.9	3.0	7.6	12.0	30.5	3.0
30	150	375	22.0	55.9	25.0	63.5	17.0	43.2	17.3	43.9	13.0	33.0	.56x1.13	1.4x2.9	3.0	7.6	13.0	33.0	3.0	7.6	15.0	38.1
45	150	500	25.0	63.5	28.0	71.1	18.5	47.0	20.7	52.6	14.5	36.8	.56x1.13	1.4x2.9	3.0	7.6	16.0	40.6	3.0	7.6	17.0	43.2
75	150	750	27.0	68.6	32.0	81.3	21.0	53.3	23.5	59.7	16.0	40.6	.56x1.13	1.4x2.9	3.0	7.6	18.0	45.7	3.0	7.6	20.0	50.8
112.5	150	975	29.0	73.7	38.0	96.5	23.0	58.3	25.5	64.8	18.0	45.7	.56x1.13	1.4x2.9	3.0	7.6	20.0	50.8	3.0	7.6	22.0	55.9
150	150	1250	33.0	83.8	42.0	106.7	26.0	66.0	29.5	74.9	21.0	53.3	.56x1.13	1.4x2.9	3.0	7.6	23.0	58.4	4.0	10.2	25.5	64.8
225	150	1650	35.0	88.9	46.0	116.8	30.0	76.2	31.5	80.0	25.0	63.5	.56x1.13	1.4x2.9	3.0	7.6	32.0	81.3	5.0	12.7	27.5	69.9
300	150	2100	35.0	88.9	52.0	132.1	30.0	76.2	31.5	80.0	25.0	63.5	.56x1.13	1.4x2.9	3.0	7.6	32.0	81.3	5.0	12.7	27.5	69.9
500	150	3100	48.0	121.9	60.0	152.4	33.0	83.8	42.0	106.7	27.0	68.6	.56x1.13	1.4x2.9	4.0	10.2	36.0	91.4	5.0	12.7	34.0	86.4
750	150	5375	52.0	132.1	72.0	182.9	40.0	101.6	34.0	86.4	42.0	106.7	.56x1.13	1.4x2.9	4.0	10.2	50.0	127.0	5.0	12.7	32.0	81.3
1000	150	6875	66.0	167.6	81.0	205.7	44.0	111.8	63.0	160.0	38.5	97.8	.56x1.13	1.4x2.9	5.0	12.7	60.0	152.4	6.0	15.2	48.0	121.9

KVA	QTY.	CATALOG NO.	VOLTAGE		TAPS	DRAWING
			PRIMARY	SECONDARY		
						<input type="checkbox"/> APPROVAL
						<input type="checkbox"/> RECORD
						<input type="checkbox"/> OTHER

CUST.	DWN. BY:	Siemens Industry, Inc.
	DATE:	
JOB	CHK. BY:	GENERAL PURPOSE TRANSFORMERS THREE-PHASE, 600 VOLTS CLASS, 60 HZ. K-FACTOR (1) RATED - COPPER - TP1
P.O.	DATE:	
TIE	APVD. BY:	
S.O.	DATE:	DWG. NO. J-116
		REV. G DATE 3/15/11