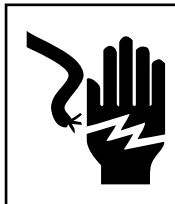


Installation Instructions



⚠ DANGER

Hazardous Voltage.
Will cause death, serious injury or substantial property damage.

Turn off power supplying this equipment before working inside.

LK13750 Kit Contents:

- (3) Lugs with wire binding screws
- (6) Mounting Screws
- (6) Lockwashers

LK33750* Kit Contents:

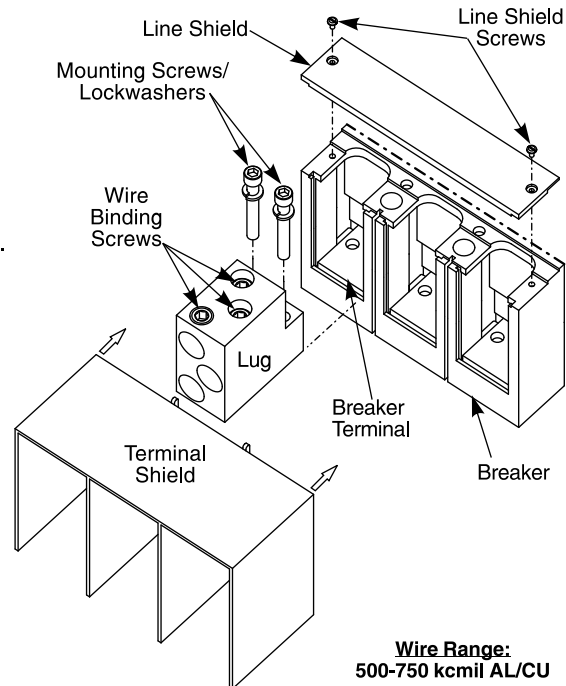
- (4) Lugs with wire binding screws
- (8) Mounting Screws
- (8) Lockwashers

Note: This instruction outlines the recommended general installation procedure. For installation by a qualified person, as defined by all local electrical codes and/or the National Electrical Code®.

For Use with: Type MXD and NXD MOLDED CASE CIRCUIT BREAKERS.

* When this kit is used on a Type MXD circuit breaker, Terminal Shield NDTs must be ordered separately unless Terminal Shield is already present on device.

1. Turn off and lock off the power supplying the device before working inside.
2. Move breaker handle to OFF position, or depress PUSH TO TRIP button. Breaker must be in OFF or TRIPPED position before continuing.
3. Remove Line Shield and Terminal Shield (ND frame only) from breaker. Terminal Shield not included or required on WB(M)_T/B (900-1200A Skinny Mains).
4. Mount Lugs to Breaker Terminals with Mounting Screws/Lockwashers. Mount Lugs on bus extension if present on breaker. Recommended torque 228 lb.-in.
5. Remove insulation from end of wire and fully insert bare end of wire into Lug.
6. Insert and tighten Wire Binding Screws to 375 lb.-in.
7. Replace Line Shield and Terminal Shield.



Wire Range:
500-750 kcmil AL/CU