

IF IN DOUBT ASK
DO NOT SCALE

EU EXPORT CONTROLS ECCN: N AL: N
This document is not Export Controlled unless sending to Critical Countries.

FRAME TERMINAL BLOCK ASSY:-

ASSEMBLY INSTRUCTIONS:-
AT INDICATED POSITIONS FIT AS FOLLOWS:
T - FIT TRIP ISOLATION CONTACT
S - FIT STANDARD CONTACT
SECURE CONTACTS USING FIXING SCREW
POSITIONS SHOWN BLANK ARE UNUSED

2	T	T	1
4	T	T	3
6	T	T	5
8	T	T	7
10	T	T	9
12	T	T	11
14	T	T	13
16	T	T	15
18	T	T	17
20	T	T	19
22			21
24	S		23
26	S	S	25
28	S	S	27

VIEW FROM NUMBERED SIDE OF BLOCK
(INSIDE THE CASE)

OUTER TERMINAL BLOCK ASSY:-

ASSEMBLY INSTRUCTIONS:-
TYPICAL OUTER BLOCK ASSY DWG
AT INDICATED POSITIONS FIT AS FOLLOWS:
S - FIT STANDARD OUTER CONTACT
POSITIONS SHOWN BLANK ARE UNUSED
ALL POSITIONS FIT SCREW.

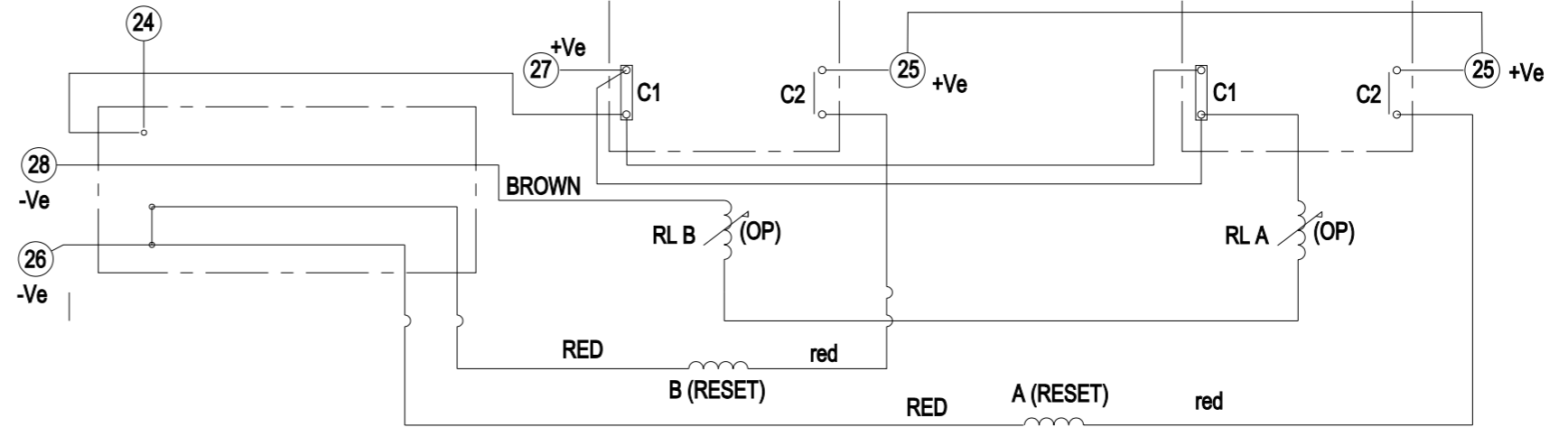
2	S	S	1
4	S	S	3
6	S	S	5
8	S	S	7
10	S	S	9
12	S	S	11
14	S	S	13
16	S	S	15
18	S	S	17
20	S	S	19
22	S	S	21
24	S	S	23
26	S	S	25
28	S	S	27

VIEW FROM NUMBERED SIDE OF BLOCK
(REAR SIDE OF THE DEVICE)

**FOR INTERNAL USE ONLY
UNCONTROLLED COPY
NOT SUBJECT TO UPDATE**

COIL SUPERVISION TERMINAL : 24

DUMMY POSITIONS "A" Block : 21 To 28
DUMMY POSITIONS "B" Block : 21,22,23

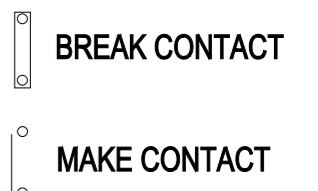


LOOKING ON FRONT OF RELAY

EARTHING CONNECTED THROUGH PANEL CHASIS

Trip Coil Supply	+Ve	27(BLOCK-B)										
	-Ve	28(BLOCK-B)										
Reset Coil Supply	+Ve	25(BLOCK-B)										
	-Ve	26(BLOCK-B)										
Coil Supervision		24 (BLOCK-B)										
CONTACT CONFIG.	"A" OUTPUT CONTACT PAIR/TERMINAL NO.											
	1-3	2-4	5-7	6-8	9-11	10-12	13-15	14-16	17-19	18-20		
18M	2B	M	B	M	M	M	M	M	M	M	M	M
16M	4B	B	B	M	M	M	M	M	M	M	M	M
CONTACT CONFIG.	"B" OUTPUT CONTACT PAIR/TERMINAL NO.											
	1-3	2-4	5-7	6-8	9-11	10-12	13-15	14-16	17-19	18-20		
18M	2B	M	B	M	M	M	M	M	M	M	M	M
16M	4B	B	B	M	M	M	M	M	M	M	M	M

	RESISTOR DETAILS				Coil Details (RLA&RLB)	Reset Coil (A&B)
	R1	R2	R3	R4		
125VDC	NA	NA	NA	NA	106309850/ C53207A 383C812 1 Coil (2112G20016) 50 VDC	106045627/ C53207A 383C774 1 Solenoid 36VDC (Elec Reset Relays)



MATERIAL: MATERIAL.

Copyright © YEAR Siemens Protection Devices Ltd. Hebburn

Dimensions in millimetres : Surface texture in micrometres.
Machine where marked ✓
For explanation of dimensions, tolerances, notes etc. see B.S.308.
Limit on untoleranced unmachined dimensions ± _____
Limits on untoleranced machined dimensions to B.S.4500;
i.e. up to 6±0.1; over 30 to 120±0.3; over 315±0.8;
over 6 to 30±0.2; over 120 to 315±0.5;
General unmachined angular tolerance ± _____

Finish: _____
Treatment: _____

Title: WIRING DIAGRAM FOR 7PJ15241-20 CONTACT/125VDC (HAND/ELECT RESET TRIP RELAY)
SIEMENS LTD.
Original Scale: NTS

First used on: _____
Similar Articles: _____
Supersedes: _____
Drg. No. **2112W60004**

1	21/10/2019	CHANGE	△
ISSUE	DATE	NOTED	