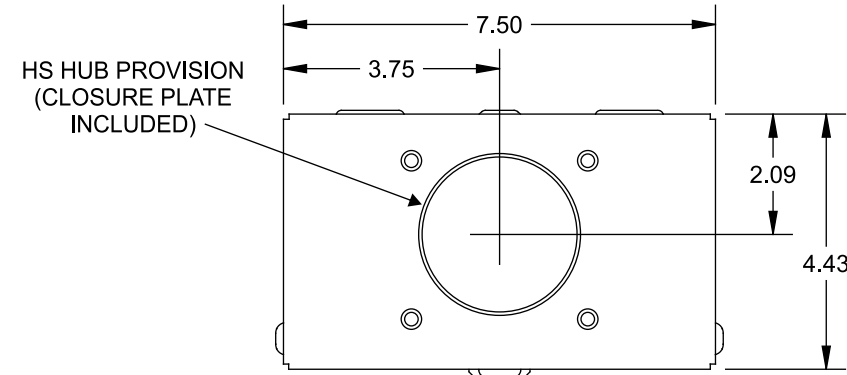
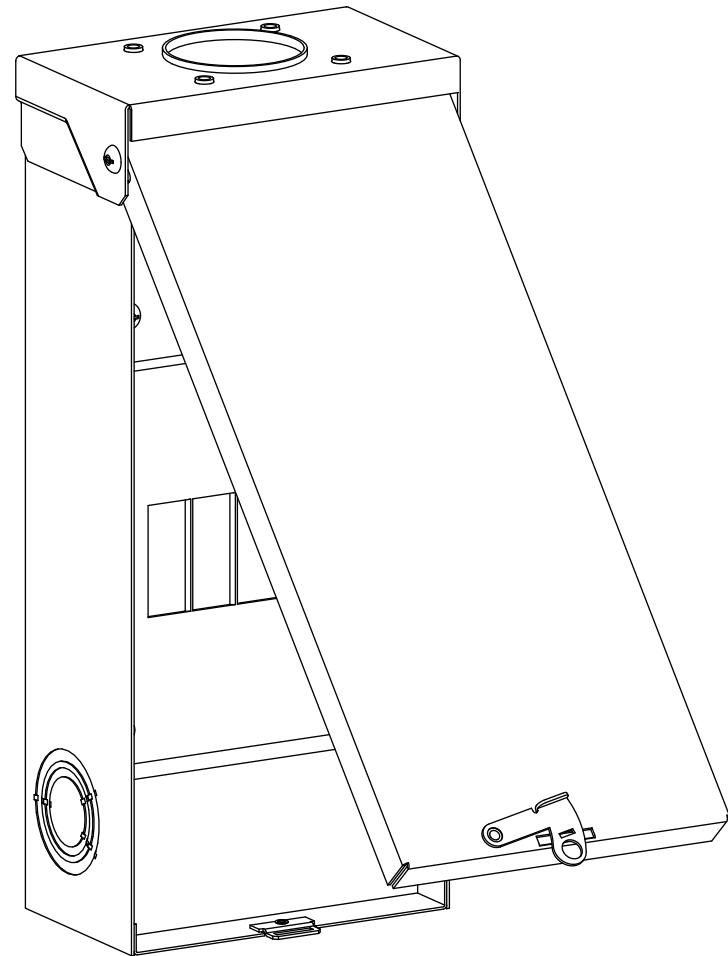


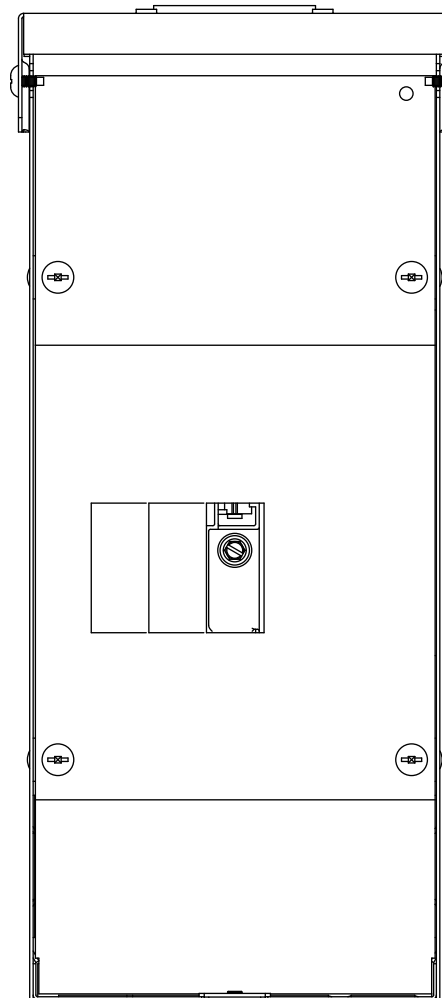
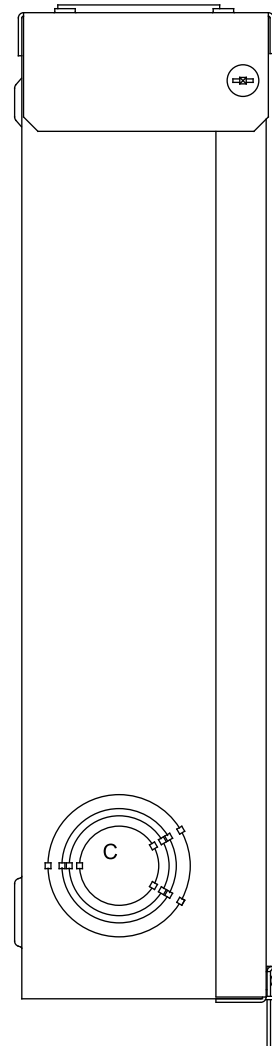
Features and Ratings

- 125A Max, 1 Phase, 3 Wire, 120/240V ~
- (2) Spaces, (4) Circuit Max.
- NEMA Type 3R Outdoor Enclosure
- Copper Bus Bars
- Uses Type HS Hubs
- Closure Plate Included

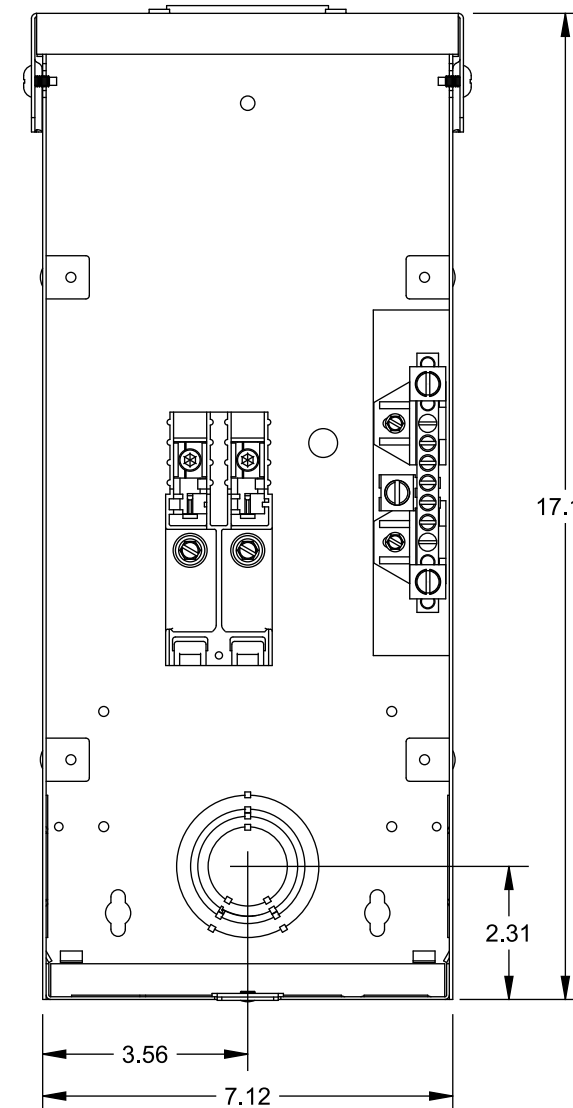
W0204ML1125CU



Shown with Door Removed

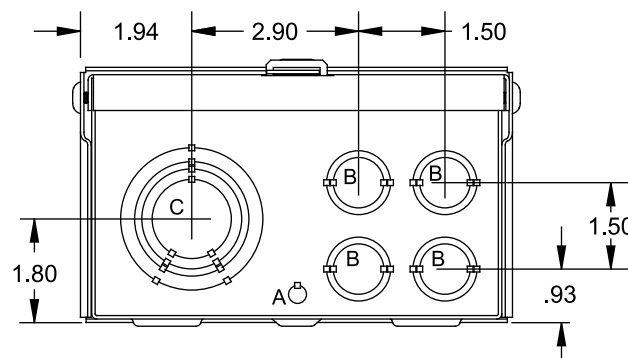


Shown with Door and Deadfront Removed



KNOCKOUT CHART

KO Designation	Qty	Conduit Size
A	1	KO Size = 5/16" DIA.
B	4	1/2", 3/4"
C	4	1", 1-1/4", 1-1/2", 2"



Accessories

Accessories:
 Filler Plate
 Cat. No. ECQF3

Ground Bars:
 Catalog No. ECGB5
 Taps 5

CONDUIT HUBS	
TRADE SIZE	CAT. NO.
3/4 INCH	ECHS075
1 INCH	ECHS100
1-1/4 INCH	ECHS125
1-1/2 INCH	ECHS150
2 INCH	ECHS200
2-1/2 INCH	ECHS250

Terminal Wire Sizes and Torques

Line Terminals A and B
 Suitable for 60°/75° C Conductors.
 Wire Size #4-2/0 AWG CU/AL.
 Torque terminals to 110 Lb-in.

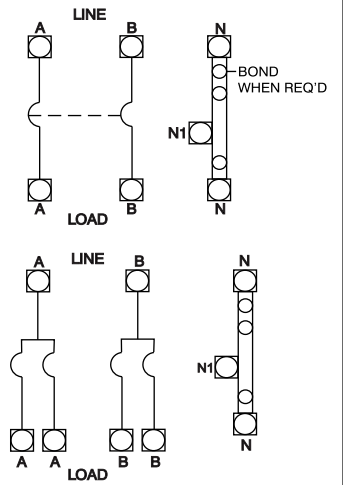
Load Terminals A and B
 See markings on breaker for torque requirements and conductor rating.

Line/Load Terminal N and Terminal N1
 Suitable for 60°/75° C Conductors.
 Wire Size #14-2/0 AWG CU/AL.
 Torque terminals to 45 Lb-in.

Ground/Neutral Terminals:

Wire Size	Tightening Torque
14-10 AWG CU	20 Lb-in.
12-10 AWG AL	20 Lb-in.
8 AWG CU/AL	25 Lb-in.
6-4 AWG CU/AL	35 Lb-in.

Equipment Ground Bars are suitable for the following wire combinations:
 (2) or (3) #14 AWG or (2) #12-10 AWG. Torque to 20 Lb-in.



© 2017 Copyright Siemens Industry, Inc.

SIEMENS
 Siemens Industry, Inc.

Outdoor Load Center

Description: **1 Ph, 125A, 2 Space, 4 Ckt Max Main Lug, Outdoor Enclosure**

KAM 10/20/17 DO NOT SCALE DRAWING Dwg No: **W0204ML1125CU**