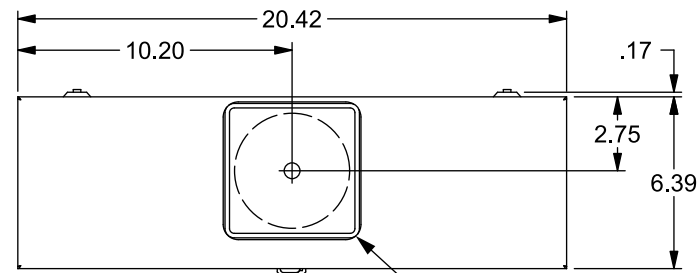
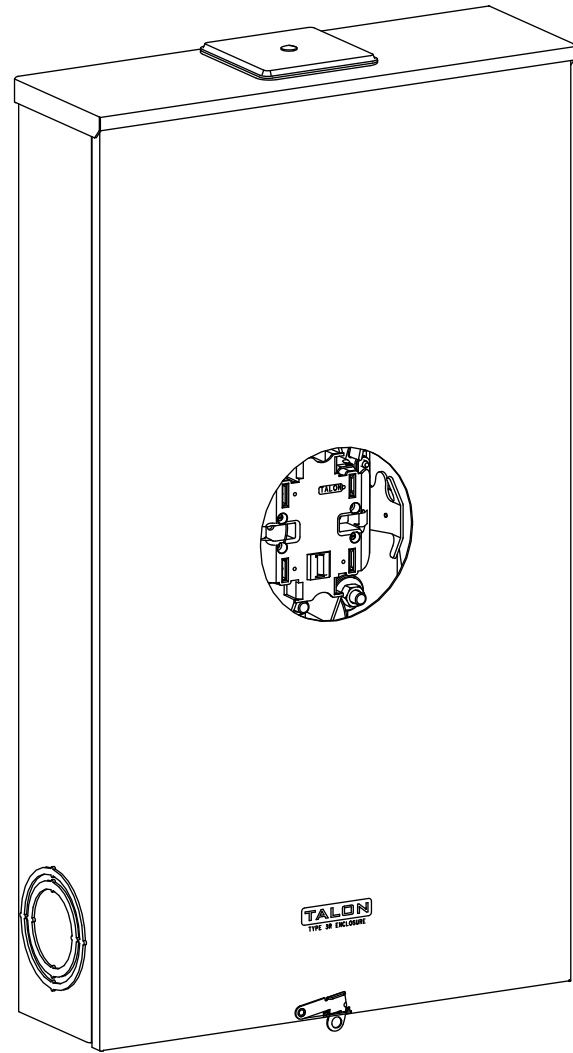


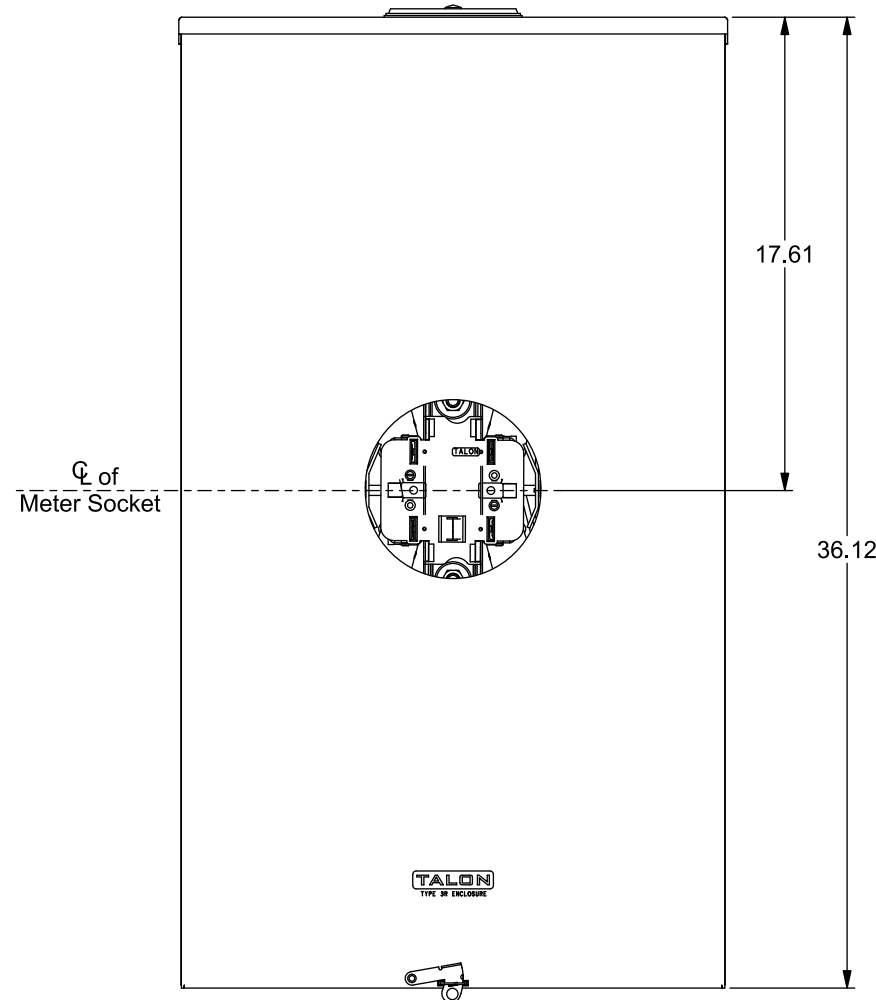
Catalog Number: 49905-026

Features and Ratings

- Ringless Type Meter Socket
- 320A Continuous, 400A Max.
- Outdoor Enclosure (Type 3R)
- Painted G90 Steel Enclosure
- 1 or 3 Phase, 3 Wire, 600V AC
- 5 Jaw Commercial Meter Socket
- HQ Clamp Jaw Lever Bypass Meter Socket
- 5th Jaw Installed at 6 o'clock Position
- For Overhead or Underground Service
- HD Type (Large) Hub Opening w/Coverplate Installed



TYPE HD (LARGE) HUB OPENING COVER PLATE INSTALLED



Accessories

Meter Opening Cover Plate
Cat No: H659-0162

CONDUIT HUBS (HD Type)	
TRADE SIZE	CATALOG No.
3 INCH	EC56856 or H56856-5
3-1/2 INCH	EC56857 or H56857-5
4 INCH	EC56858 or H56858-5
Hub Cover Plate	EC56933 or H56933-2

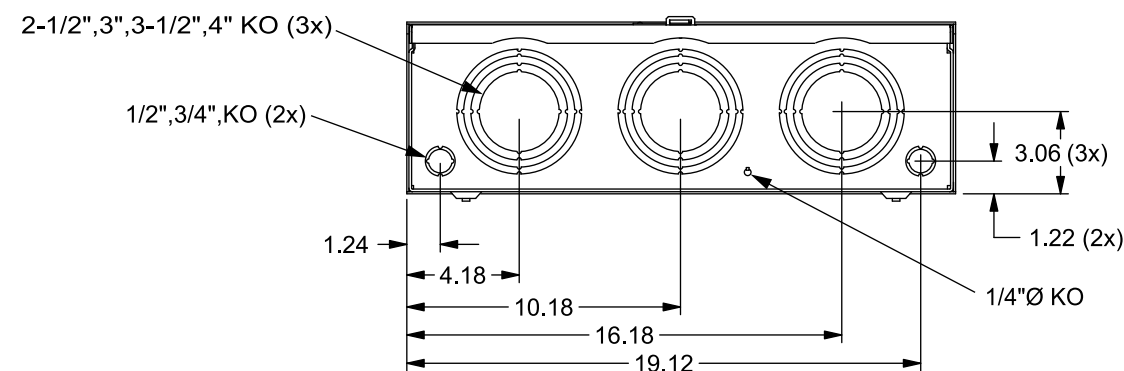
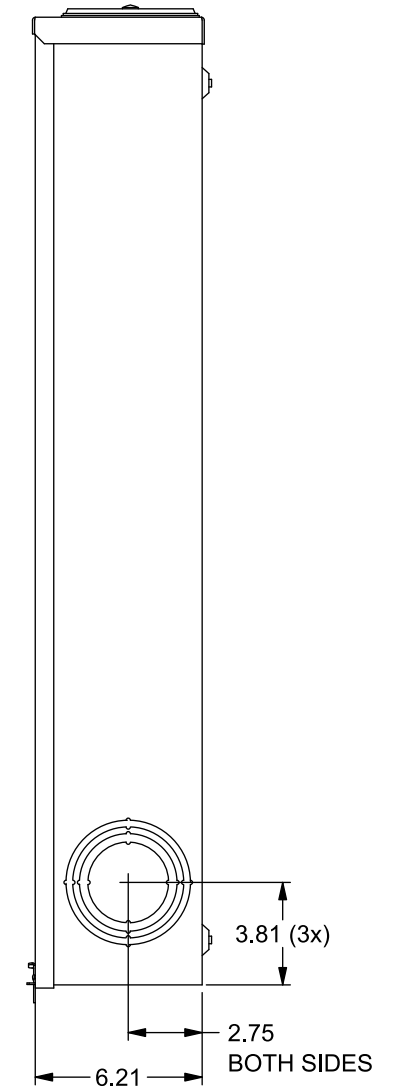
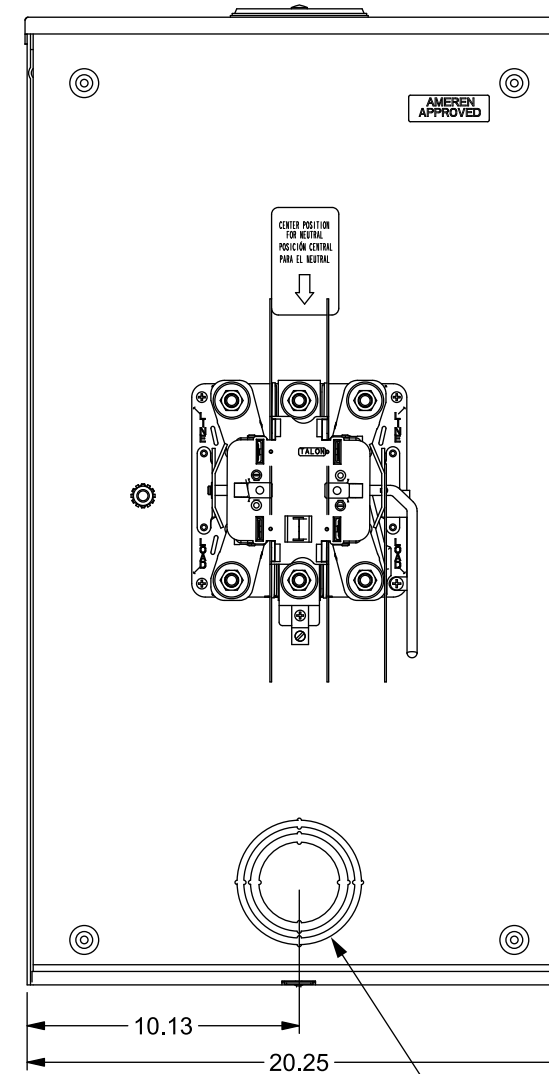
Connectors, Wire Sizes and Torques

CONNECTOR	PART No.	WIRE SIZE	TORQUE
LINE, LOAD*	60162	#4 - 600 kcmil	500 IN.-LBS.
NEUTRAL*	60162	#4 - 600 kcmil	500 IN.-LBS.
GROUND**	67554	#14 - 2/0 AWG	50 IN.-LBS.

* Hex Drive 9/16"
** Hex Drive 7/16"

TORQUE CONNECTOR NUTS TO 450-500 IN.-LBS.

VIEW SHOWN WITH COVER REMOVED



© 2019 Copyright Siemens Industry, Inc.

TALON
Meter Socket

Description: **320A Cont, 5 Jaw, HQ-5DB, OH/UG, 600V AC, Painted Steel Enclosure**

KAM 9/17/19 | DO NOT SCALE DRAWING | Dwg No: **49905-026**