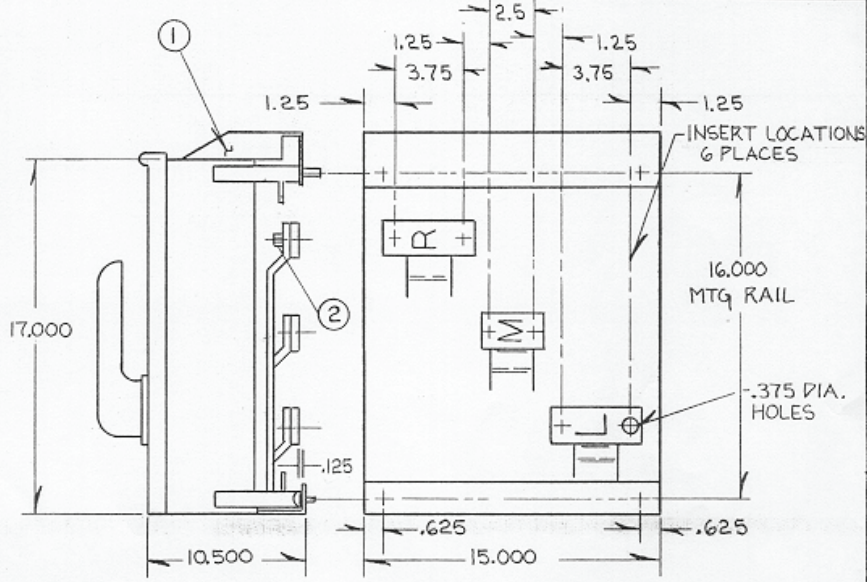


THIRD ANGLE PROJ.
REV 2
SHT 1
DWG NO. 11-B-2007-00

REVISIONS				
REV	C.N.	DESCRIPTION	DATE	BY
0	1A036		8-26-88	CK
1	1A924		5-24-91	RA
2	1B-908		4-20-95	SH



- NOTES:**
- 1) TORQUE VALUES: ALUM. 50 IN-LBS.; COPPER 72 IN-LBS.
 - 2) FASTEN SWITCH TO Z-RAIL WITH CAPTIVE 1/4-20 SCREWS.

FOR FUSIBLE SWITCH CAT. NOS.	
V7H2205, V7H2206, V7H3205, V7H3206	
V7H2605, V7H2606, V7H3605, V7H3606	

! DANGER
 Hazardous voltage. Will cause death or serious injury.
 Keep out. Qualified personnel only. Disconnect and lock off all power before working on this equipment.

CONFIDENTIAL - PROPERTY OF SIEMENS INDUSTRY, INC.			
UNLESS OTHERWISE SPECIFIED DIMENSIONS ARE IN INCHES TOLERANCES ARE NON-CUMULATIVE AND ARE AS FOLLOWS UNLESS SPECIFIED OTHERWISE. xxx ± .030 xxx ± .015 ANGULAR ± 2° DO NOT SCALE DRAWING		Siemens Industry, Inc. Norcross, GA VACU-BREAK MOUNTING; ▲ F2 BRANCH BUS KIT 15" SINGLE UNIT	
DWN L. PAGE	DATE 3-23-88	SIZE	REV 2
CHK <i>R</i>	DATE 7-19-88	FSCM NO.	DWG NO. 11-B-2007-00
APVD SH	DATE 9-21-88	SCALE NTS	SHEET 1 OF 2

Apvd SH	ITEM	DESCRIPTION	PC. NO.	QTY.
5-12-95	1	FUSIBLE SWITCH	CAT. NO. *	1
	2	1/4-20 X 1 1/4 SHWSW	11-1553-11	6
	3	NEUTRAL LUG ASSEMBLY	12-B-2105-06	2
	4			
	5			
	6			
	7			
	8			
	9	INSTRUCTION LABEL	31-1243-01	1
	10	CARTON LABEL	15-A-1027-01	1
	11	CARTON	48000989 ▲	1
	12			
	13			
	14			
	15			
	16			
	17			
	18			
	19			
	20			
	21			
	22			
	23			
	24			
	25			
	26			
	27			
	28			
	29			
	30			
	31			
	32			
	33			
	34			
	35			
	36			
	37	* VACU-BREAK CAT. NO. F6150D		
	38	FOR FUSIBLE SWITCH CAT. NOS. V7H2205,		
	39	V7H2206, V7H3205, C7H3206, V7H3206, V7H2605,		
	40	V7H2606, C7H3605, V7H3606		
	41			
	42			
	43			
	44			
Revisions 0: 1B-908 1: IC-831A 04-12-04 2: IC-831B 07-24-06 3: E-053A 1-10-07				
Chk SH	5-12-95			
By RAW	5-12-95			
Confidential - property of Siemens Industry, Inc. Norcross, GA		VACU-BREAK MOUNTING F2 BRANCH BUS KIT Title	11-B-2007-02 Dwg No.	3 Rev.
		Sht. 1	Of 1	

FOR USE WITH 15" HIGH SINGLE UNITS (400A,600A) MOUNTED IN SPP/FPP/S5/F2/P5 PANELBOARDS (DEEP BOX).