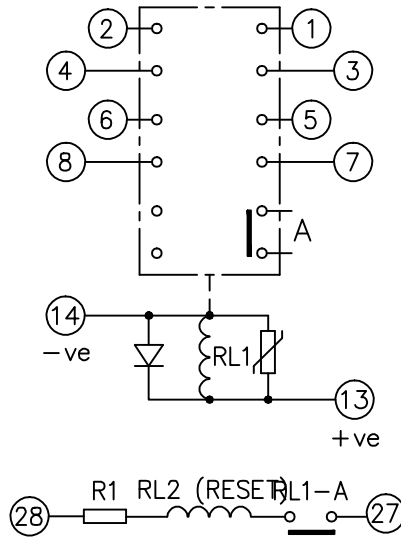


2112W50069

LOOKING ON FRONT OF RELAY



NOT SUBJECT TO UPDATE  
ONCE COPIED / PRINTED  
OR DOWNLOADED

- KEY**
- ○ make contact
  - break contact
  - □ c/o contact
  - ② ext. conn
  - ⌋ plug bridge - shorting
  - ⊙ metering point
  - ⌋ 5Kv barrier
  - test socket - shorting
  - ⊙ plug & socket

	R1	NIL	2102C15687	NIL	2102C15270	NIL	2102C15471
	Volts dc	24	30	48	60	125	240
	CONTACT CONFIG.	OUTPUT CONTACT PAIR / TERMINAL No.					
		1-3	2-4	5-7	6-8	9-11	10-12
	4M	M	M	M	M		
	3M 1B	M	B	M	M		
	2M 2B	B	B	M	M		
	1M 3B	B	B	M	B		
	4B	B	B	B	B		

NOTE: WHEN RECTIFIER IS SPECIFIED COIL CONNS. ARE AS SHOWN.

FRAME REFERENCE: E2FAQM.  
 FRAME TERMINAL BLOCK ASSY: -  
 ASSEMBLY INSTRUCTIONS: -  
 TYPICAL ASSEMBLY DRAWING 2995G10032.  
 AT INDICATED POSITIONS FIT AS FOLLOWS:  
 T - FIT TRIP ISOLATION CONTACT 2995B10053  
 S - FIT STANDARD CONTACT 2995B10054  
 SECURE CONTACTS USING FIXING SCREW 2109F99009.  
 POSITIONS SHOWN BLANK ARE UNUSED

2	T	T	1
4	T	T	3
6	T	T	5
8	T	T	7
10			9
12			11
14	S	S	13
16			15
18			17
20			19
22			21
24			23
26			25
28	S	S	27

VIEW FROM NUMBERED SIDE OF BLOCK

OUTER TERMINAL BLOCK ASSY: -  
 ASSEMBLY INSTRUCTIONS: -  
 TYPICAL ASSEMBLY DRAWING 2995G10029.  
 AT INDICATED POSITIONS FIT AS FOLLOWS:  
 S - FIT STANDARD CONTACT 2995B10051  
 HC - FIT 'HEAVY CURRENT' KIT 2995G10030  
 WHERE ○ ○ IS SHOWN FIT CT SHORTING KIT 2995G10031  
 POSITIONS SHOWN BLANK ARE UNUSED.  
 ALL POSITIONS FIT SCREW 2106F12506.

2	S	S	1
4	S	S	3
6	S	S	5
8	S	S	7
10			9
12			11
14	S	S	13
16			15
18			17
20			19
22			21
24			23
26			25
28	S	S	27

VIEW FROM INSIDE FACE

			Title. T.B. AND W.D. FOR AR133D 4 CONTACT RELAYS IN EPSILON E2 CASE.	First used on:	
				Similar Articles:	
				Supersedes:	
2 RDW	10/06/09	MN112/3151	<b>Reyrolle Protection Hebburn.</b>	Original Scale.	Drg.No. <span style="font-size: 2em;">2112W50069</span>
1	27/04/99				
ISSUE	DATE	MOD.No.			
DRAWN: A.L.A.W.	CHECKED:	APPROVED: R.D.WATSON	DATE: 17/07/02	Copyright © 1999 Reyrolle Ltd.	