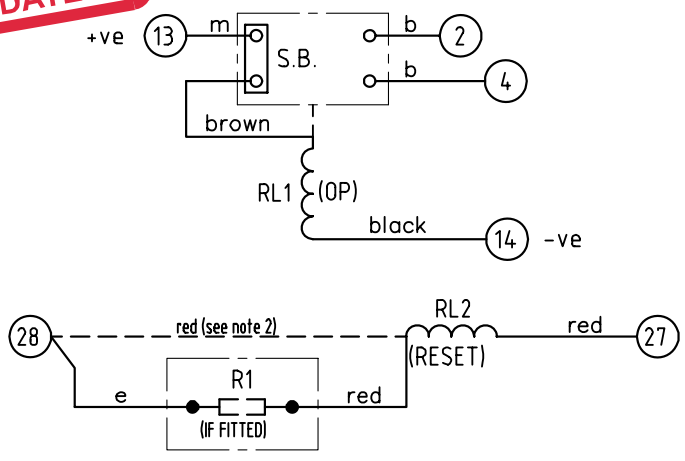


2112W50086

LOOKING ON FRONT OF RELAY

FOR INTERNAL USE ONLY
UNCONTROLLED COPY
NOT SUBJECT TO UPDATE



CREATED 04/05/2020
WORKS STANDARD
IF IN DOUBT ASK

NOTE:
1. RESET SOLENOIDS ARE NOT CONTINUOUSLY RATED. IT IS RECOMMENDED THAT A N.O. CONTACT IS CONNECTED IN SERIES WITH THE RESET COIL.
2. DASHED LINE --- SHOWS CONNECTIONS WHEN RESISTORS ARE NOT FITTED.

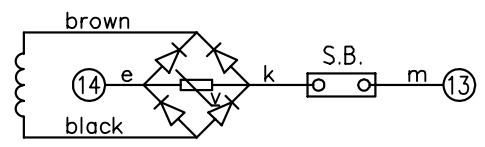
ASSEMBLY WIRES USED	
b	2107B10002 2 OFF
e	2107D10161 1 OFF
m	2107D10181 1 OFF

COMPONENT BOARD ASSY	NIL	2112G11502	2112G11545	2112G11503	NIL	2112G11505
RL2 (RESET) KIT	SOLKIT:6V	SOLKIT:6V	SOLKIT:6V	SOLKIT:12V	SOLKIT:36V	SOLKIT:36V
RL1 (OP) COIL	2112G20019	2112G20020	2112G20022	2112G20023	2112G20026	2112G20029
R1	NIL	2102C15687 6R8	2102C25180 18R	2102C15270 27R	NIL	2102C15471 470R
VOLTAGE	24	30	48	60	125	240

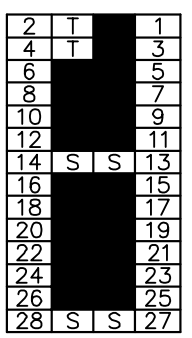
- KEY**
- ⊖ ⊖ make contact
 - ⊖ ⊖ break contact
 - ⊖ ⊖ c/o contact
 - ⊖ ⊖ ext. conn
 - ⊖ ⊖ plug bridge - shorting
 - ⊖ ⊖ metering point
 - ⊖ ⊖ 5Kv barrier
 - ⊖ ⊖ test socket - shorting
 - ⊖ ⊖ plug & socket

CONTACT CONFIG.	OUTPUT CONTACT PAIR / TERMINAL No.					
	1-3	2-4	5-7	6-8	9-11	10-12
1M 1SB		M				
1B 1SB		B				

NOTE: WHEN RECTIFIER IS SPECIFIED COIL CONNS AND ADDITIONAL WIRES ARE AS SHOWN.

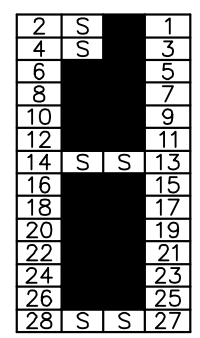


FRAME REFERENCE: E2FAQM.
FRAME TERMINAL BLOCK ASSY: -
ASSEMBLY INSTRUCTIONS: -
TYPICAL ASSEMBLY DRAWING 2995G10032.
AT INDICATED POSITIONS FIT AS FOLLOWS:
T - FIT TRIP ISOLATION CONTACT 2995B10053
S - FIT STANDARD CONTACT 2995B10054
SECURE CONTACTS USING FIXING SCREW 2109F99009.
POSITIONS SHOWN BLANK ARE UNUSED



VIEW FROM NUMBERED SIDE OF BLOCK

OUTER TERMINAL BLOCK ASSY: -
ASSEMBLY INSTRUCTIONS: -
TYPICAL ASSEMBLY DRAWING 2995G10029.
AT INDICATED POSITIONS FIT AS FOLLOWS:
S - FIT STANDARD CONTACT 2995B10051
HC - FIT 'HEAVY CURRENT' KIT 2995G10030
WHERE ⊖ ⊖ IS SHOWN FIT CT SHORTING KIT 2995G10031
POSITIONS SHOWN BLANK ARE UNUSED.
ALL POSITIONS FIT SCREW 2106F12506.



VIEW FROM INSIDE FACE

			<p>Title: T.B. AND W.D. FOR AR1-3SB 2 CONTACT RELAYS IN EPSILON E2 CASE.</p>	<p>First used on:</p>
4 N.C	19/06/15	MN112/3882 ID	<p style="font-size: 2em; font-weight: bold;">Reyrolle Protection Hebburn.</p>	Similar Articles:
3 RDW	09/10/12	MN112/3556 JB		Supersedes:
2 RDW	16/01/04	MN112/2606		Drg.No.
1	27/04/99			2112W50086
ISSUE	DATE	MOD.No.		Copyright © 2015 Reyrolle Ltd.
DRAWN: A.LAW.		CHECKED:	APPROVED: R.D.WATSON	DATE: 17/07/02