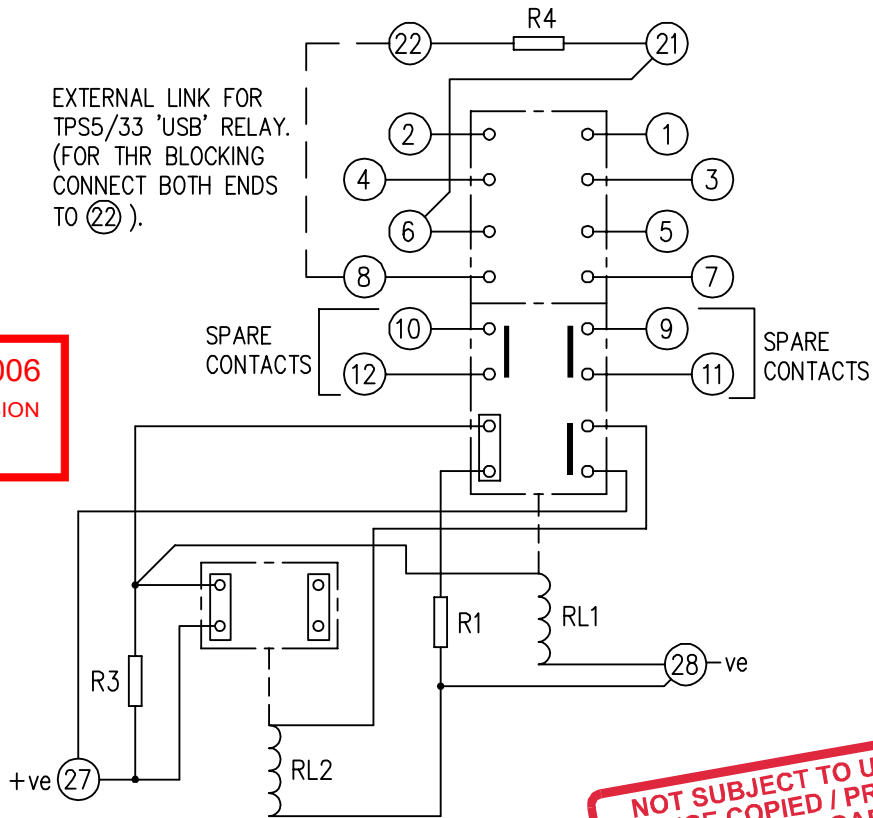


LOOKING ON FRONT OF RELAY

2112W50018

EXTERNAL LINK FOR
TPS5/33 'USB' RELAY.
(FOR THR BLOCKING
CONNECT BOTH ENDS
TO (22)).

PRINTED ON 22/06/2006
ENSURE CORRECT REVISION
DESTROY AFTER USE



NOT SUBJECT TO UPDATE
ONCE COPIED / PRINTED
OR DOWNLOADED

KEY

- make contact
- break contact
- c/o contact
- ext. conn
- plug bridge - shorting
- metering point
- 5Kv barrier
- test socket - shorting
- plug & socket

125	2x100R IN SER. 2102C41101	NOT FITTED	2x3K9 IN PARALLEL 2102C45392	100K 2101C42104									
50	390R 2102C35391	NOT FITTED	2x820R IN PARALLEL 2102C45821	100K 2101C42104									
Vdc	R1	R2	R3	R4									
CONTACT CONFIG.	OUTPUT CONTACT PAIR /							TERMINAL No.					NOTE:
	1-3	2-4	5-7	6-8	9-11	10-12	13-15	14-16	17-19	18-20	21-23	1. FOR CONTACTS NOT SHOWN AS EITHER MAKE OR BREAK SEE TABLE.	
6M	M	M	M	M	M	M	/	/	/	/	/		
5M 1B	M	B	M	M	M	M	/	/	/	/	/		
4M 2B	B	B	M	M	M	M	/	/	/	/	/		
3M 3B	B	B	M	B	M	M	/	/	/	/	/		
2M 4B	B	B	B	B	M	M	/	/	/	/	/		

FRAME REFERENCE: E4FE02.

FRAME TERMINAL BLOCK ASSY: -

ASSEMBLY INSTRUCTIONS: -

TYPICAL ASSEMBLY DRAWING 2995G10032.

AT INDICATED POSITIONS FIT AS FOLLOWS:

T - FIT TRIP ISOLATION CONTACT 2995B10053

S - FIT STANDARD CONTACT 2995B10054

SECURE CONTACTS USING FIXING SCREW

2109F99009.

POSITIONS SHOWN BLANK ARE UNUSED

2	T	T	1
4	T	T	3
6	T	T	5
8	T	T	7
10	T	T	9
12	T	T	11
14			13
16			15
18			17
20			19
22	T	T	21
24			23
26			25
28	S	S	27

VIEW FROM NUMBERED
SIDE OF BLOCK

OUTER TERMINAL BLOCK ASSY: -

ASSEMBLY INSTRUCTIONS: -

TYPICAL ASSEMBLY DRAWING 2995G10029.

AT INDICATED POSITIONS FIT AS FOLLOWS:

S - FIT STANDARD CONTACT 2995B10051

HC - FIT 'HEAVY CURRENT' KIT 2995G10030

WHERE IS SHOWN FIT CT SHORTING

KIT 2995G10031

POSITIONS SHOWN BLANK ARE UNUSED.

ALL POSITIONS FIT SCREW 2106F12506.

2	S	S	1
4	S	S	3
6	S	S	5
8	S	S	7
10	S	S	9
12	S	S	11
14			13
16			15
18			17
20			19
22	S	S	21
24			23
26			25
28	S	S	27

VIEW FROM INSIDE
FACE

			Title. T.B. AND W.D. FOR TR512 RELAY IN EPS. E4 CASE. (CEGB P11 SPECIFICATION).		First used on:		
					Similar Articles:		
					Supersedes:		
2-RDW	22/6/06	MN112/2816	Reyrolle Protection Hebburn.		Original Scale.	Drq.No.	
1	01/04/99					2112W50018	
ISSUE	DATE	MOD.No.					
DRAWN:	A.LAW.	CHECKED:	APPROVED:	R.D.WATSON	DATE:	16/07/02	Copyright © 1999 Reyrolle Ltd.