

Catalog Numbers, Ratings and Features

Catalog No.	Max. Branch Rating	Main Bus, 1200A Max.	Breaker Type	Meter Socket Cover	Meter Socket Type/ Continuous Rating	No. of Jaws	Bypass Type	Neutral Lug (Qty) and Wire Range	Equip Ground Lug (Qty) and Wire Range
WMT33225J	225A	3 Phase	3 Pole QR or QJ	Ring	TBB-7 / 200A	7	Test Block	(3) #4-300 kcmil	(4) #4-2/0 AWG

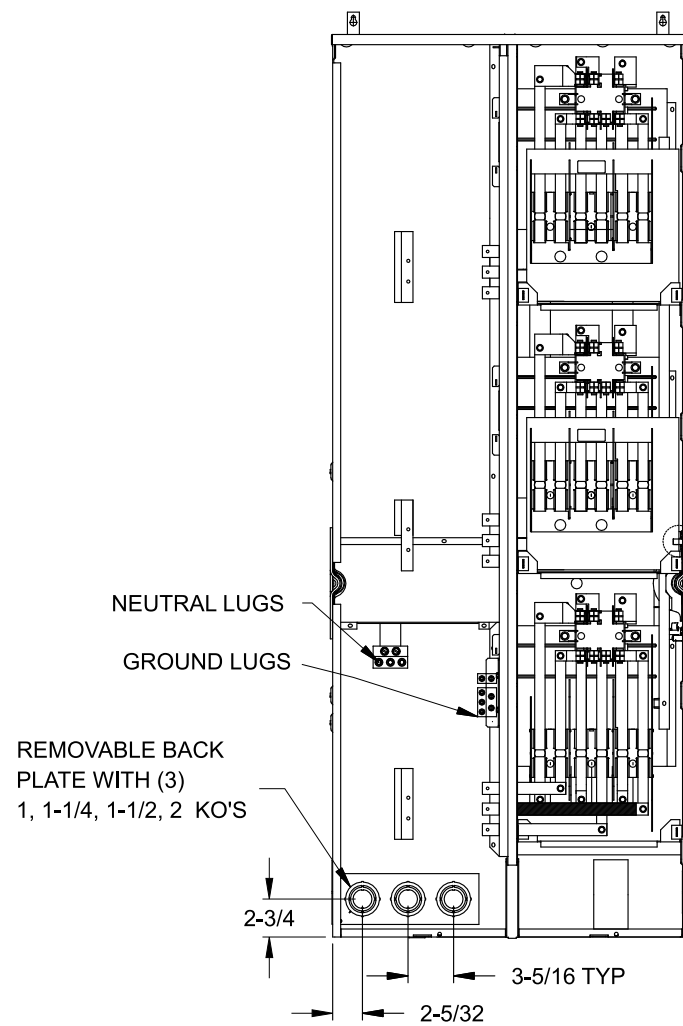
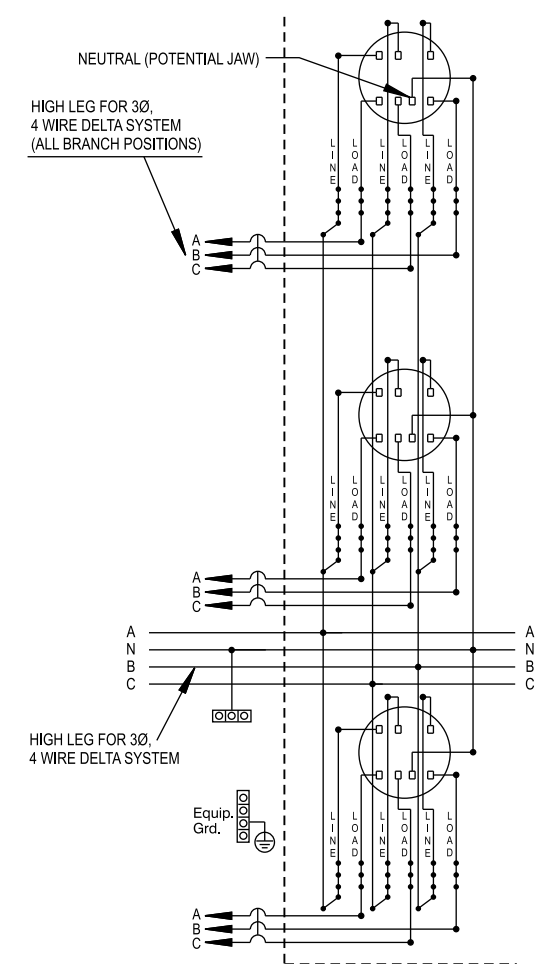
- TYPE 3R OUTDOOR ENCLOSURE
- 208Y/120 VOLTS AC, 3 PHASE, 4 WIRE
- 240/120 VOLTS AC, 3 PHASE, 4 WIRE DELTA
- 3 PHASE INPUT, 3 PHASE OUTPUT
- MOUNTING RAILS AND ADJUSTABLE BRACKETS FOR SECURE MOUNTING
- COMPLIES WITH EUSERC DWG. No. 312 AND 353

Additional Modules and Accessories

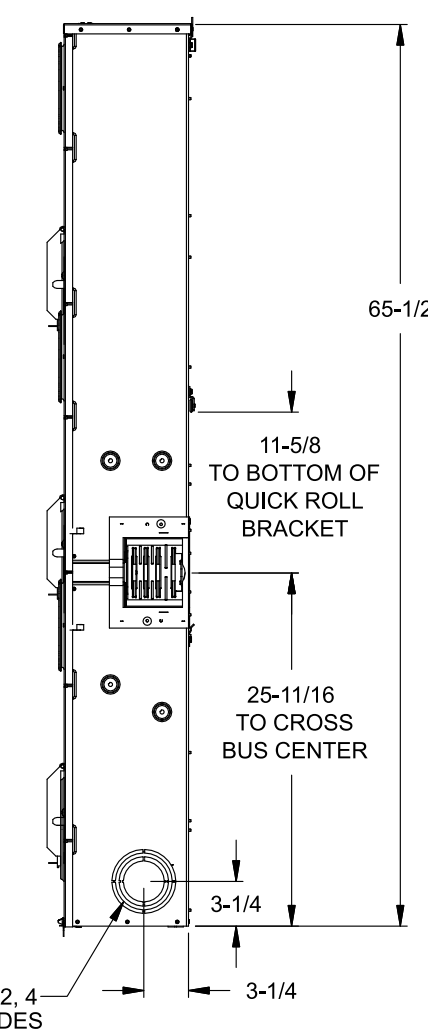
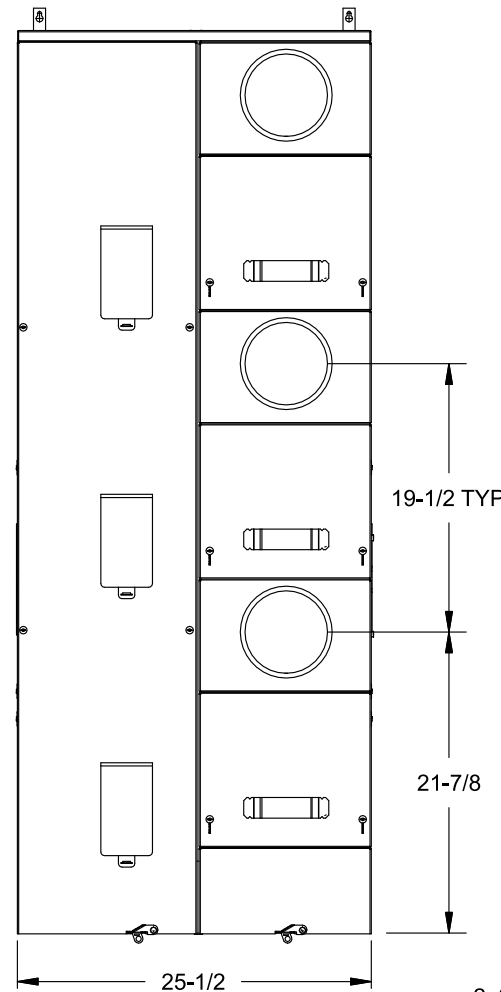
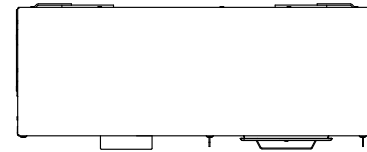
FOR USE WITH: Module Description	Siemens Series#
Main Breakers	(W)MC, WB, WEB, WXB, WBT
Switches	WMP, WMS, WS, WES
Tap/Terminal Boxes	WMTB, WTB, WET, WT_PU
Pull Boxes	WMMB
Meter Module	(W)MM, WxMM, (W)MT, (W)ML, (W)MK, (W)MLZ(F)
Meter Combinations	WC, WCL, WCT
Extension Box	WMEX, WSP, WSPD
Bussed Elbow	BE, WELB

Connect Modules Using:	Catalog Number / Torque
QuickConnect, 3 Phase	QC4, Torque 400-440 lb-in (35-36 ft.-lb.)

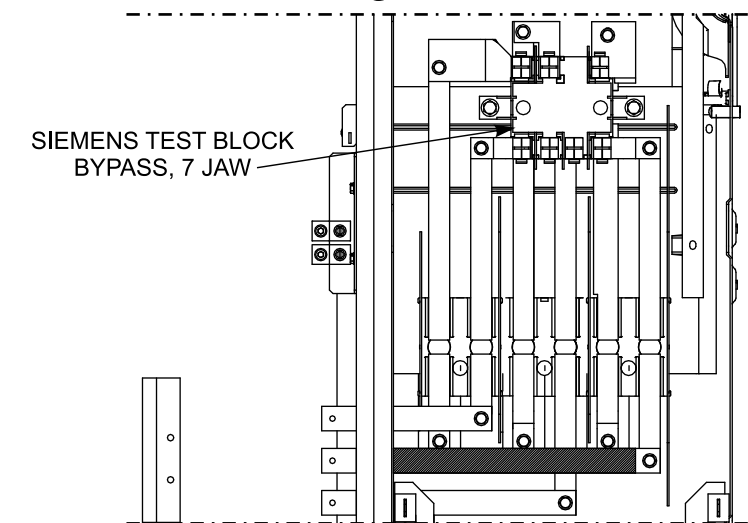
Schematic



SPRING-LOADED STUDS
SEE DETAIL



Enlarged Socket Detail



© 2017 Copyright Siemens Industry, Inc.

SIEMENS
Siemens Industry, Inc.

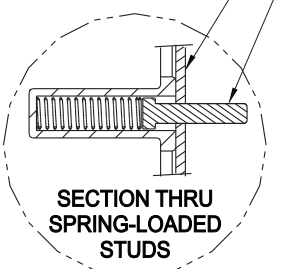
PowerMod™ Modular Metering

Description: **Test Block Bypass 3 Position 225A Tenant 3in-3out Commercial Metering Module**

Size B Dwg. No. **WMT33225J**

Dwn KAM Date 11/10/17 DO NOT SCALE DRAWING SHEET 1 OF 1

#10-32 x 7/8 SCREWS
ENCLOSURE WALL



SECTION THRU
SPRING-LOADED
STUDS

