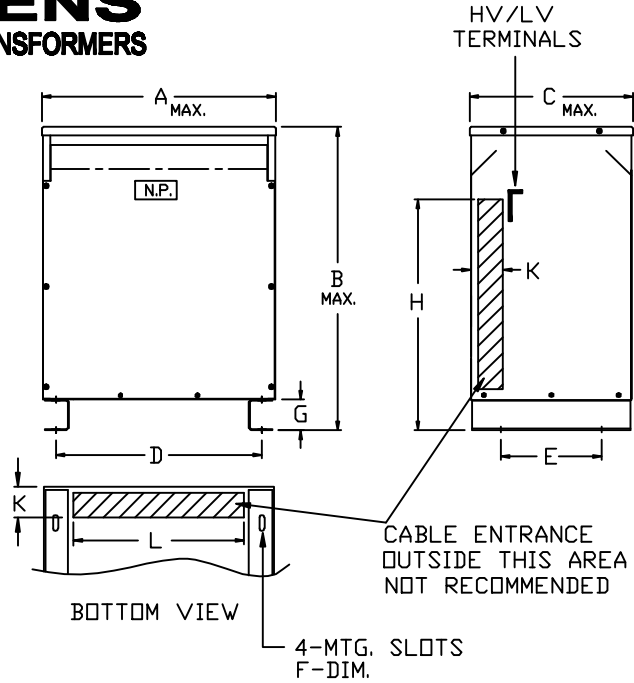


SIEMENS

DRY TYPE TRANSFORMERS

NOTES:

1. ALL UNITS ARE UL LISTED AND ARE DESIGNED IN ACCORDANCE WITH ANSI C89.2 AMD NEMA ST-20 STANDARDS.
2. THESE TRANSFORMERS UTILIZE A UL RECOGNIZED 220°C INSULATION SYSTEM, TEMPERATURE RISE AS INDICATED IN THE TABLE.
3. TRANSFORMERS ARE DRY TYPE, CLASS AA, VENTILATED ENCLOSURE FOR INDOOR USE. OPTIONAL WEATHER KITS ARE AVAILABLE FOR ADAPTING THE UNIT FOR 3R USE WITHOUT VOIDING THE UL LABEL.
4. FOR LIFTING OTHER THAN WITH FORK TRUCK, REMOVE TOP COVER AND USE CORE CLAMPS FOR 100KVA & UP.
5. PAINT COLOR IS ANSI #61 GRAY.
6. FULL WIDTH COPPER ELECTROSTATIC SHIELD (OPTIONAL).
7. 6" REQUIRED CLEARANCE FROM THE WALLS.
8. HV/LV TERMINALS ARE TOP FRONT TERMINATED.



DIMENSIONS IN (E)=INCHES & (M)=CENTIMETERS

KVA	TEMP. RISE °C	NET WT. LBS.	A		B		C		D		E		F		G		H		K		L	
			E	M	E	M	E	M	E	M	E	M	E	M	E	M	E	M	E	M	E	M
			15	150	175	15.0	38.1	27.0	68.6	15.0	38.1	12.5	31.8	11.0	27.9	.56x1.13	1.42x2.87	3.0	7.6	19.0	48.3	3.0
25	150	250	17.0	43.2	29.0	73.7	17.0	43.2	14.0	35.6	13.0	33.0	.56x1.13	1.42x2.87	3.0	7.6	20.0	50.8	3.0	7.6	11.0	27.9
37.5	150	375	20.0	50.8	31.0	78.7	18.0	45.7	16.9	42.9	14.0	35.6	.56x1.13	1.42x2.87	3.0	7.6	20.0	50.8	3.0	7.6	14.0	35.6
50	150	450	22.0	55.9	32.0	81.3	20.0	50.8	19.0	48.3	16.0	40.6	.56x1.13	1.42x2.87	3.0	7.6	22.0	55.9	3.0	7.6	16.0	40.6
75	150	575	22.0	55.9	34.0	86.4	22.0	55.9	19.0	48.3	16.0	40.6	.56x1.13	1.42x2.87	3.0	7.6	26.0	66.0	3.0	7.6	16.0	40.6
100	150	700	22.0	55.9	36.0	91.4	24.0	61.0	19.0	48.3	18.0	45.7	.56x1.13	1.42x2.87	3.0	7.6	28.0	71.1	3.0	7.6	16.0	40.6
167	150	950	35.0	88.9	46.0	117	30.0	76.2	31.5	80.0	25.0	63.5	.56x1.13	1.42x2.87	3.0	7.6	32.0	81.3	5.0	12.7	27.5	69.9
200	150	1350	35.0	88.9	52.0	132	30.0	76.2	31.5	80.0	25.0	63.5	.56x1.13	1.42x2.87	3.0	7.6	32.0	81.3	5.0	12.7	27.5	69.9
225	150	1475	35.0	88.9	52.0	132	30.0	76.2	31.5	80.0	25.0	63.5	.56x1.13	1.42x2.87	3.0	7.6	32.0	81.3	5.0	12.7	27.5	69.9
250	150	1580	35.0	88.9	52.0	132	30.0	76.2	31.5	80.0	25.0	63.5	.56x1.13	1.42x2.87	3.0	7.6	32.0	81.3	5.0	12.7	27.5	69.9
333	150	2275	48.0	121.9	60.0	152	33.0	83.8	42.0	106.7	27.0	68.6	.56x1.13	1.42x2.87	4.0	10.2	36.0	91.4	5.0	12.7	34.0	86.4

KVA	QTY.	CATALOG NO.	VOLTAGE		TAPS	DRAWING
			PRIMARY	SECONDARY		
						<input type="checkbox"/> APPROVAL <input type="checkbox"/> RECORD <input type="checkbox"/> OTHER

CUST.	DWN. BY:	Siemens Industry, Inc.
	DATE:	
JOB	CHK. BY:	GENERAL PURPOSE TRANSFORMERS SINGLE-PHASE, 600 VOLTS CLASS, 60 HZ. K-FACTOR (1) RATED - ALUMINUM - TP1
P.O.	DATE:	
TIE	APVD. BY:	
S.O.	DATE:	DWG. NO. J-104
		REV. E DATE 06/22/11