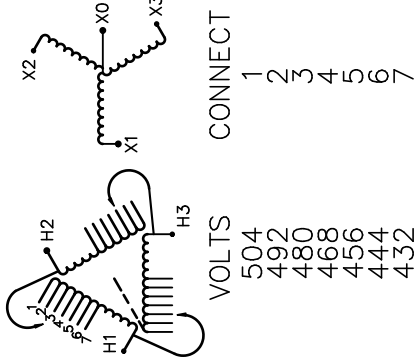


REVISION	DATE	BY	DATE	BY
		DRAWN	15/11/17	JW
		CHEK'D		
		VERIF'D		

Confidential - Property of  
Siemens Industry, Inc.

CUSTOMER	
ORDER NO.	DWG. NO.
	3F3Y075K13FCD16 SH 1 OF 2

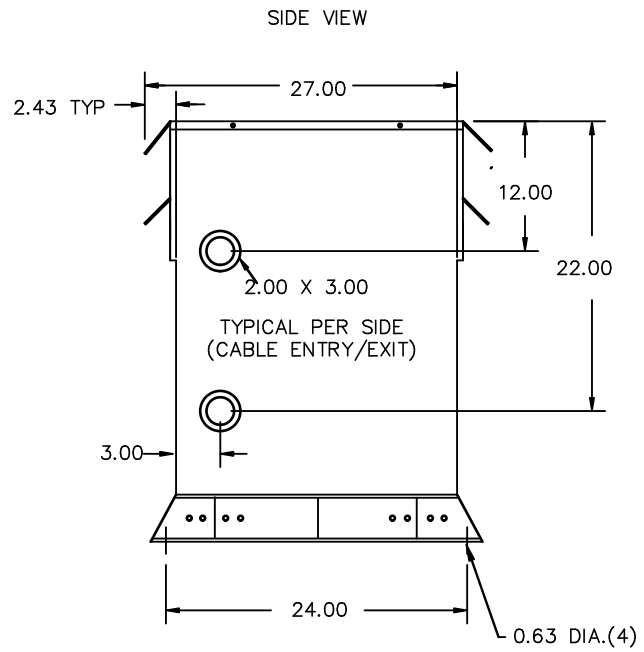
<b>SIEMENS</b>	
CATALOG NO. 3F3Y075K13FCD16	SERIES H
SERIAL NO.	3 PHASE
75 kVA	60 Hz
2.3 % IMP AT 135 °C	
115 °C RISE	30 °C AVG. AMBIENT
220 °C TEMP CLASS	40 °C MAX. AMBIENT
PRIMARY ( H1 H2 H3 )	480V V 10 kV BIL
SECONDARY( X0 X1 X2 X3 )	208Y/120V V 10 kV BIL
WINDING MATERIAL	CU
ENCLOSURE TYPE 3R	WEIGHT 775 LBS
ENERGY EFFICIENCY EXCEEDS CSA C802.2-2012	DOE 10 CFR PART 431:2016
<p>SPACINGS BETWEEN ANY VENTILATED ENCLOSURE PANEL AND ANY ADJACENT WALL SHALL BE A MINIMUM OF 5 INCHES EXCEPT WHEN WALL MOUNTED USING APPROVED WALL MOUNTING KIT ELECTROSTATIC SHIELD</p>	
<p>SUITABLE FOR NONSINUSOIDAL CURRENT LOAD WITH K-FACTOR NOT TO EXCEED K-13 SUITABLE FOR INDOOR OR OUTDOOR LOCATIONS BEFORE HANDLING, INSTALLING AND OPERATING, SEE INSTRUCTION MANUAL</p>	
NEMA Class <b>ANN</b> Dry Type Transformer	
Siemens Industry, Inc. Norcross, GA <small>dsu0087e</small>	



3F3Y075K13FCD16



All Dimensions in inches

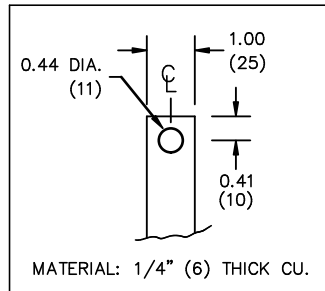


ENCLOSURE COLOR :ANSI 61 GREY – OUTDOOR

H.V.1. TERMINAL DETAIL

L.V.1. TERMINAL DETAIL

MECHANICAL TYPE LUGS INCLUDED  
SUITABLE FOR 250MCM-6 CU/AL  
CONDUCTORS  
1 CONDUCTOR PER PHASE



CUSTOMER NOTES:

- HV1 TERMINATED AT TOP FRONT
- LV1 TERMINATED AT BOTTOM FRONT

Confidential – Property of  
Siemens Industry, Inc.

REVISION	DATE	BY	DATE	BY
			DRAWN 15/11/17	JW
			CHEK'D	
			VERIF'D	

CUSTOMER		
ORDER NO.	DWG. NO.	
	3F3Y075K13FCD16	SH 2 OF 2