

Siemens Energy & Automation, Inc.
Bellefontaine, OH 43311 U.S.A.

Installation Instructions

⚠ DANGER

Hazardous Voltage.
Will cause death or severe injury.

Turn power off supplying device before installing.

SAFETY INSTRUCTIONS

NOTE: These instructions outline the recommended installation procedure. The term circuit breaker used in these instructions, also includes molded case switches and motor circuit interrupters.

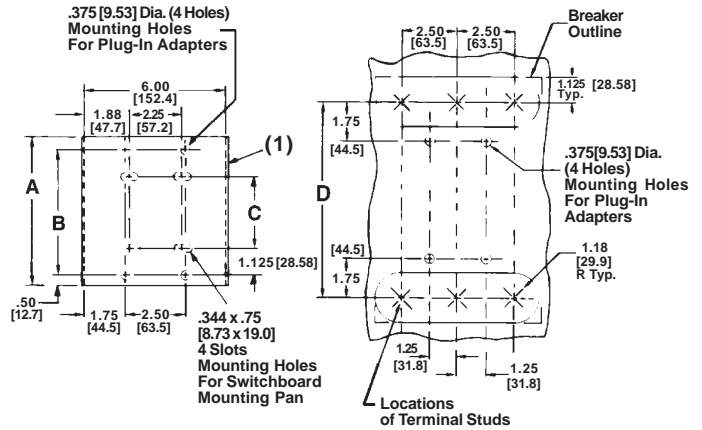
1. Turn power off supplying device before installing kit.

A complete installation requires two plug-in adapter assemblies. Each assembly consists of a mounting block, tulip connectors and attachment hardware. The complete assembly is attached to an optional switchboard mounting plate (see table) or to other mounting means to suit customer requirements.

NOTE: Type CJD6, SCJD6, CLD6, and SCLD6 Current Limiting Circuit Breakers require use of a special end shield assembly for the load side terminals. These shields must be ordered using Catalog Number CLTCJL2 for 2-Pole or CLTCJL3 for 3-Pole.

MOUNTING PREPARATION: (Fig. 1 & 2)

2. If the switchboard plate (PL5796 or PL5697) is to be



Drilling Switchboard Mounting Plate

Drilling and Cutouts for Adapter Block

Figure 1

Figure 2

Dimensions
Inches
[Millimeters]

BREAKER TYPE	A	B	C	D	MTG. PLATE CAT. NO.
CJD6(-A), CLD6(-A), CJD6(-A)ETI, CLD6(-A)ETI	13.11 [333.0]	12.11 [307.6]	9.86 [250.4]	15.61 [396.5]	PL5797
All Other Types	6.25 [158.8]	5.25 [133.4]	3.00 [76.2]	8.75 [222.3]	PL5796

CIRCUIT BREAKER TYPE	NO. OF POLES	PLUG-IN ADAPTER CAT. NO.	SWITCH-BOARD MTG. PLATE CAT. NO.	END SHIELD ASSEMBLY	
JXD2(-A), JXD6(-A), JXD6(-A)ETI, HJXD6(-A), HHJXD6, SJD6(-A), SHJD6(-A), JFC, JFF	2	PC5777	PL5796		
	3	PC5778			
LXD6(-A), LXD6(-A)ETI, HLXD6(-A), HHLXD6(-A), SLD6(-A), SHLD6(-A), LFC, LFF	2	PC5660			
	3	PC5661			
CJD6(-A), CJD6(-A)ETI, SCJD6(-A), JDFP(-A)	2	PC5777	PL5797	CLTCJL2	
	3	PC5778		CLTCJL3	
CLD6(-A), CLD6(-A)ETI, SCLD6(-A), LDFF(-A)	2	PC5660			CLTCJL2
	3	PC5661			CLTCJL3

used, provide mounting holes as shown in Fig. 1.



Installation Instructions

3. If other mounting means are to be used, provide the cutouts and mounting holes required to mount the plug-in adapters as shown in Fig. 2.

SWITCHBOARD MOUNTING PLATE (If used): (Fig. 3)

4. Place switchboard mounting plate (1) in position at location previously prepared in step 2 above. Secure in place with 5/16" lockwashers (3) and 5/16" bolts (4) which are supplied.

MOUNTING BLOCK: (Fig. 3)

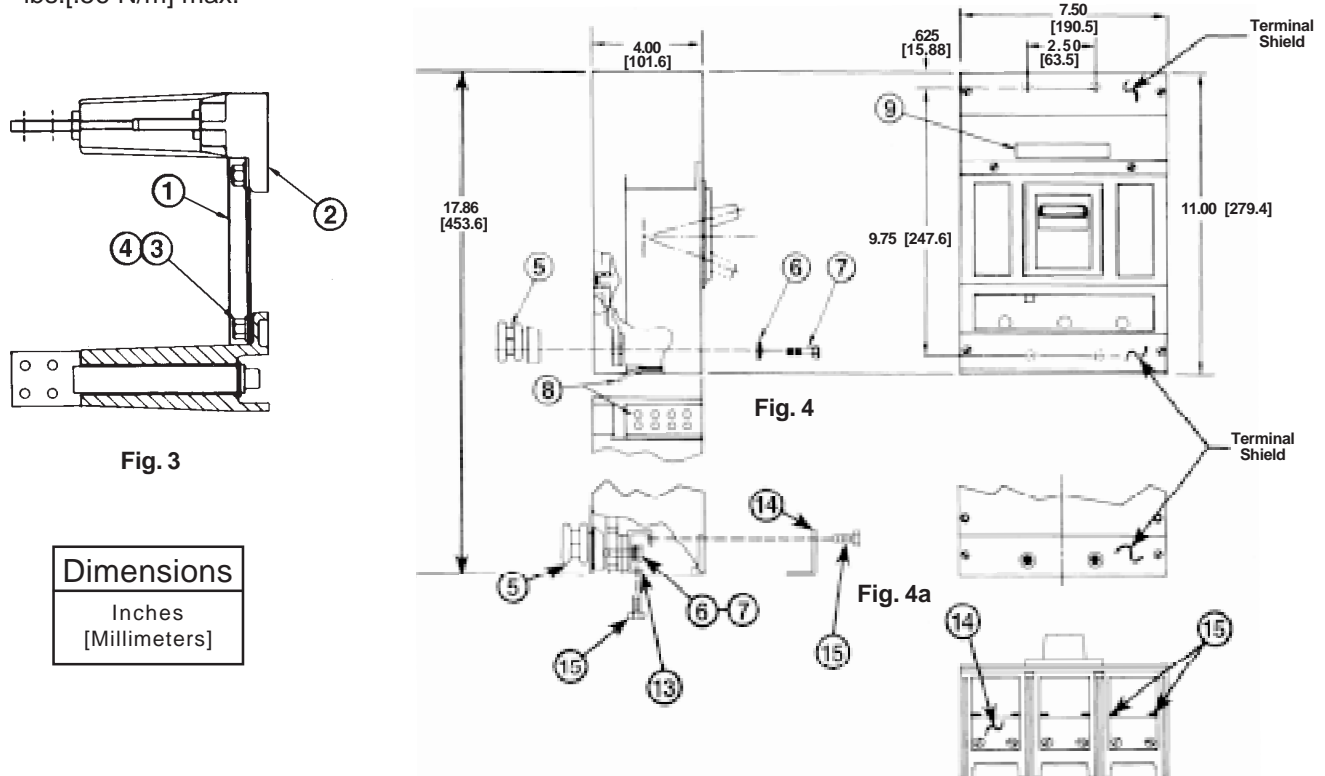
5. Align mounting block (2) with cutouts in switchboard mounting plate or other mounting means as previously prepared in Step 3, and secure in place with 5/16" lockwashers (3) and 5/16" bolts (4) which are supplied.

BREAKER PREPARATION: (Fig. 4) **REMOVE PRESSURE WIRE CONNECTORS FROM BREAKER IF PRESENT**

6. Place tulip clip assembly (5) on back of breaker in recess provided in base molding. Secure in place with 1/4" belleville washers (6) and 1/4"-20 X 1 hex head bolts (7) furnished. Recommended tightening torque for these bolts is 60-72 in-lbs.[6.78-8.13 N/m] to assure a good electrical connection. Repeat this procedure for the remaining tulip clip assemblies.

6a. **Note:** For Current Limiting Circuit Breakers Load end only. (See fig. 4a). Place tulip clip assembly (5) on back of breaker terminal. Attach and shield bracket (13) from front of breaker as shown in fig. 4a. Secure in place with 1/4 in. belleville washers (6) and 1/4-20 x 1 in. hex head bolts (7) furnished. Tighten bolts to 60-72 in-lbs.[6.78-8.13 N/m] to assure a good electrical connection.

6b. Attach end shield (14) to end shield bracket (13) using the four molded pan head screws (15). Tighten screws to 5 in-lbs.[.56 N/m] max.





Installation Instructions

7. Slide one piece end shields (8) into slots provided in breaker case at line and load ends of breaker. **Note:** For Current Limiting Circuit Breakers, attach one piece end shields to load end only.
8. Attach terminal shields to line and load side of circuit breaker.
9. Add accessory label (9) to top of breaker as indicated in Fig. 4.

FINAL ASSEMBLY: (Fig. 5)

10. Make bus connections to flat bar connectors at rear of mounting blocks (use 5/16" hardware, customer supplied, hole pattern as shown in Fig. 5) insure proper electrical clearance, or insulate adequately.

CAUTION: Make certain that breaker operating handle is in the **OFF** position before proceeding with the next step.

11. Align breaker with mounting blocks and force female tulip clips over male studs in mounting block until breaker base bottoms against mounting block. Secure breaker in place with 1/4" - 20 x 3 long mounting screw (10), lockwashers (11), and flatwashers (12) furnished.

12. If installation requires the use of front panel trim, provide cutout for breaker escutcheon as shown in Fig. 6.

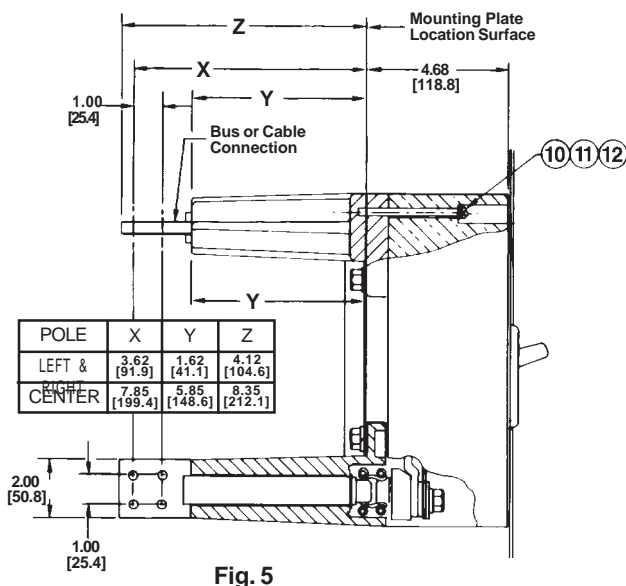


Fig. 5

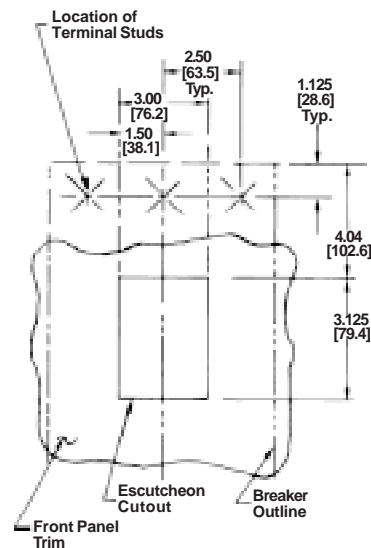


Fig. 6

Dimensions
Inches
[Millimeters]