

# Meter/Load Center Combinations

## 4 Circuit, Surface Mount, Pole Mountable

### FEATURES

- UL listed only for use as service entrance equipment
- NEMA Type 3R enclosure with painted, G90 galvanized steel
- 22,000A IC rating
- Overhead and underground feed
- Surface mounting, pole mountable
- Feed thru lugs provided
- Key hole shaped mounting holes for easy hanging
- Deadfront pull ring
- Captive deadfront screw
- INSTA-WIRE® neutrals
- Visible neutrals
- Tin plated copper bus bars
- Side-hinged load center door; requires the removal of only one screw to remove door.
- See wiring diagram for lug sizes and torque data.

### ACCESSORIES

- Top end wall has type RX hub provisions
  - EC38597 (1-1/4")
  - EC38598 (1-1/2")
  - EC38599 (2")
  - EC385600 (2-1/2")
- Bottom end wall has type HC hub provisions
  - ECHC200 (2")
  - ECHC250 (2-1/2")
  - ECHC200 (3")
- Ground bar kits:
  - ECGB5, ECGB10, ECGB14 (check wiring diagram for limitations)
- 2/0 - #4 wire range lug kit: ECLK2.
- 5th jaw assembly: EC5J2
- Mechanical breaker interlock: ECQML12
- Meter socket jumper: ECJS
- Filler plate: QF3 or ECQF3



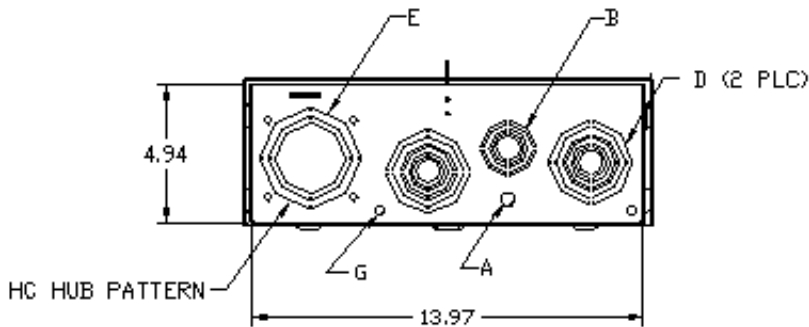
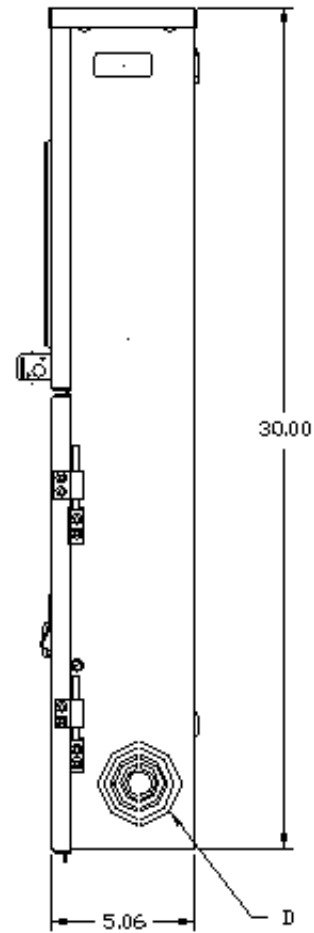
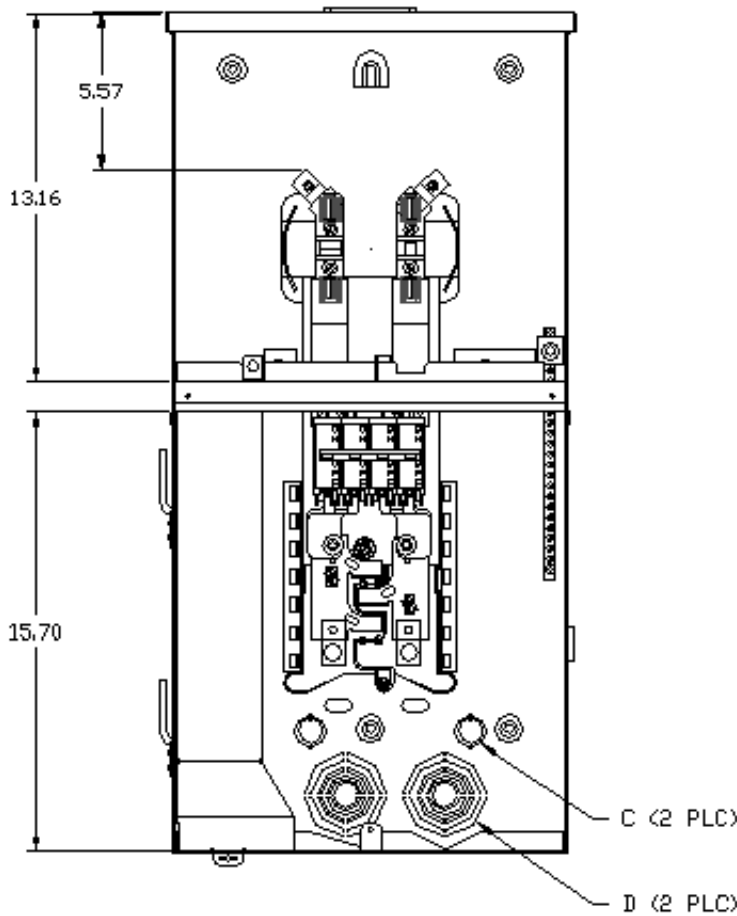
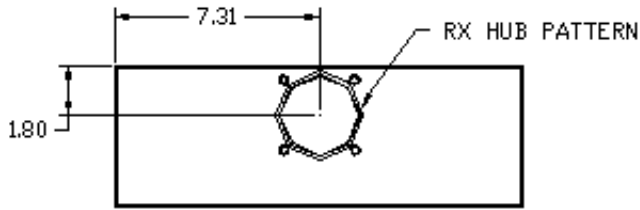
Main Ampere Rating	Catalog Number	No. of Spaces	No. of Circuits	Meter Cover
150	JA0408B1150T	4	8	Ring Style
150	JA0408B1150RT	4	8	Ringless
200	JA0408B1200T	4	8	Ring Style
200	JA0408B1200RT	4	8	Ringless

# fastfax

# MURRAY

# Meter/Load Center Combinations

4 Circuit, Surface Mount, Pole Mountable



KNOCKOUTS (inches):	
A:	1/2
B:	1/2, 3/4, 1, 1-1/4
C:	3/4, 1
D:	1/2, 3/4, 1, 1-1/4, 1-1/2, 2, 2-1/2
E:	2-1/2, 3
F:	1-1/4, 1-1/2, 2, 2-1/2, 3
G:	.31" diameter ground wire K.O.