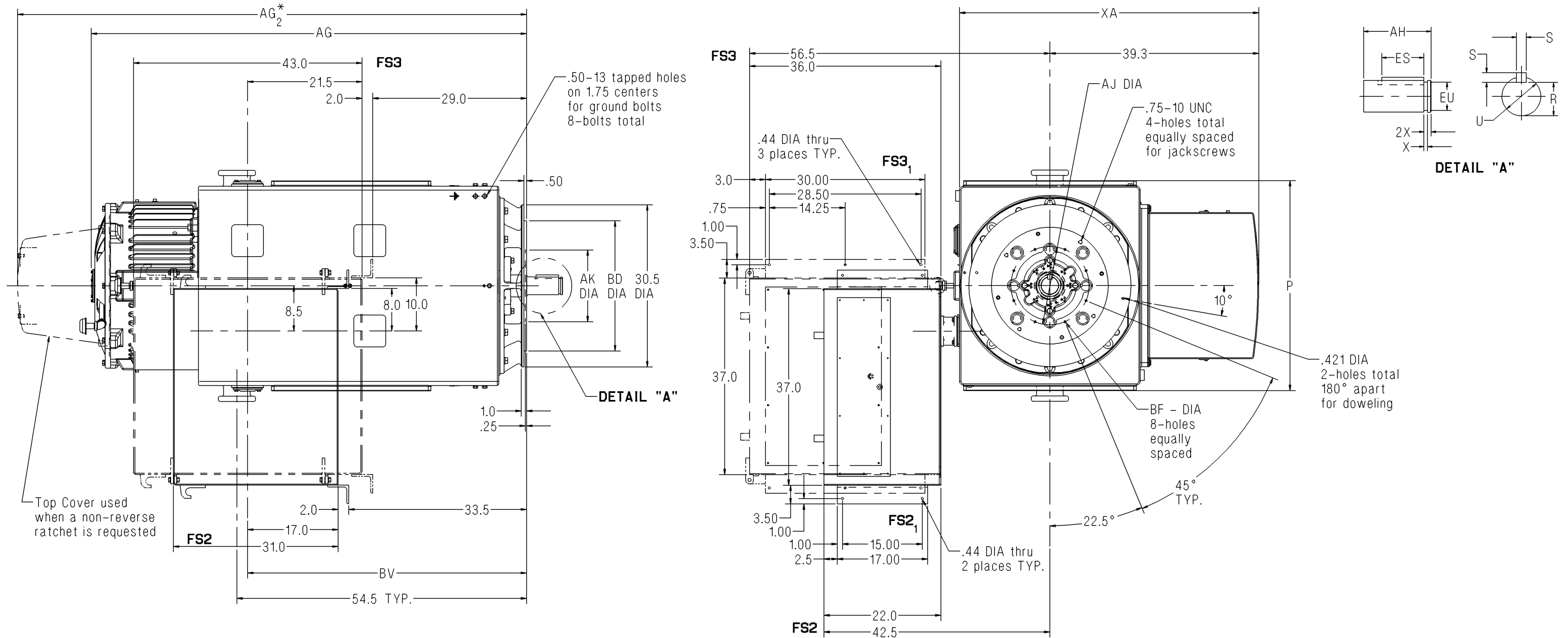


Dimension Prints for Above NEMA Motors



- Notes:**
1. Main conduit box is free standing and must be supported from below by customer. A removable bottom plate is supplied on both the FS2 and FS3 conduit boxes. A 3.0" spacer is supplied on the 580 frame for both the FS2 and FS3 conduit boxes.
  2. AG\* = Length of motor from mounting face to end of top cover when a non-reverse ratchet is requested.
  3. Machines may rotate in either direction, except when non-reverse ratchet is specified.
  4. Adding a rotating labyrinth seal to the drive end does not change any dimensions.

Standard Dimensions in Inches

Frame	AG	AG <sub>2</sub> *	AH	BV	ES	EU	R	S	U	X	P	XA	Standard				Alternate				Approx. Ship Wt. (Lbs)
													BD	AJ	AK	BF	BD	AJ	AK	BF	
580	81.3	98.0	7.00	52.5	4.50	3.375	3.309	1.000	3.875	0.500	39.5	56.3	30.5	26.0	22.0	0.812	24.5	14.75	13.5	0.812	9000

**Certification:** Customer \_\_\_\_\_ P.O. \_\_\_\_\_ S.O. \_\_\_\_\_ Item \_\_\_\_\_  
 HP \_\_\_\_\_ RPM \_\_\_\_\_ Frame \_\_\_\_\_ PH/HZ/Volts 3/\_\_\_\_\_/\_\_\_\_\_  
 By \_\_\_\_\_ Date \_\_\_\_\_ Terminal Box Size FS2  FS3   
 Comments \_\_\_\_\_  
 Not for construction, installation or application purposes unless certified.