

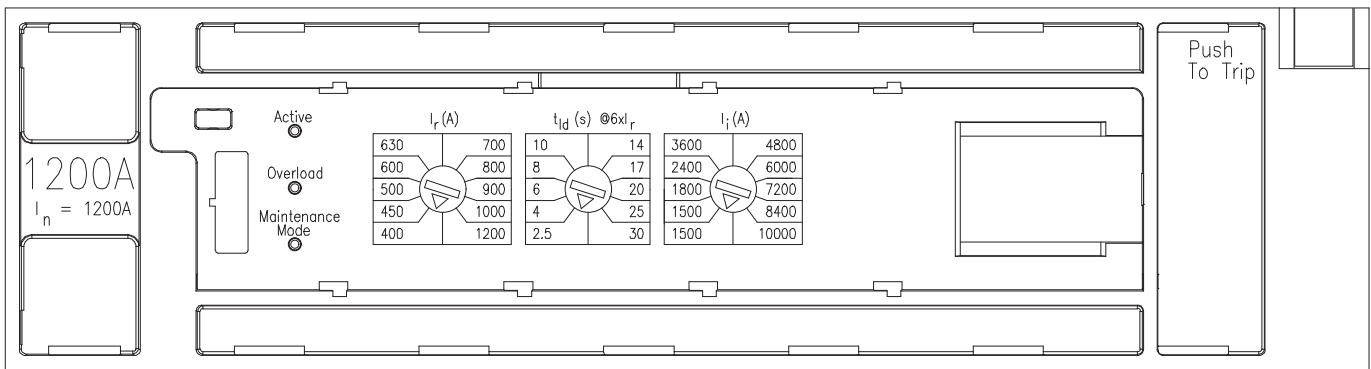


## Electronic Trip Unit, LI Model

Switch 1	$I_n$ - Maximum trip unit rating (amps)	$I_r$ - Continuous current rating (amps)									
	1000	400	450	500	550	600	630	700	800	900	1000
1200	400	450	500	600	630	700	800	900	1000	1200	

Switch 2	$I_n$ - Maximum trip unit rating (amps)	$t_{ld}$ - Long time delay (seconds @ $6 \times I_r$ )									
	1000, 1200	2.5	4	6	8	10	14	17	20	25	30

Switch 3	$I_n$ - Maximum trip unit rating (amps)	$I_i$ - Instantaneous pickup (amps)									
	1000	1250	1500	2000	3000	4000	5000	6000	8000	9000	10000
1200	1500	1500	1800	2400	3600	4800	6000	7200	8400	10000	



## References

$I_n$  = Maximum circuit breaker ampere rating

$I_r$  = Continuous current rating expressed in amperes

$I_i$  = Instantaneous pickup expressed in amperes

$I_{sd}$  = Short time pickup expressed in multiples of  $I_r$

$I_g$  = Ground fault pickup expressed in amperes

$t_{sd}$  = Short time delay - either fixed or  $I^2t$  time delay function

$t_{ld}$  = Long time delay -  $I^2t$  time delay function

$t_g$  = Ground fault delay -  $I^2t$  time delay function

### Electronic Trip Unit, LIG Model

Switch 1	$I_n$ - Maximum trip unit rating (amps)	$I_r$ - Continuous current rating (amps)									
	1000	400	450	500	550	600	630	700	800	900	1000
	1200	400	450	500	600	630	700	800	900	1000	1200

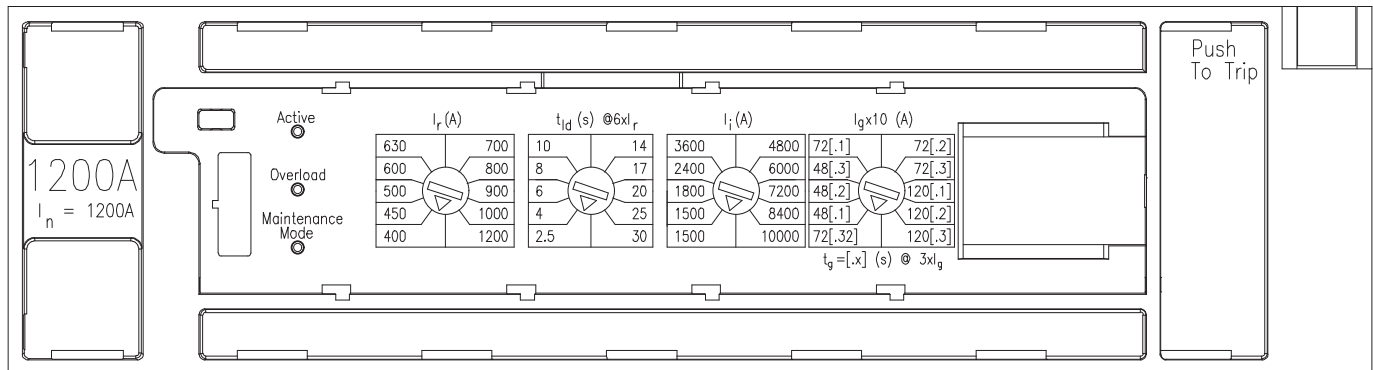
Switch 2	$I_n$ - Maximum trip unit rating (amps)	$t_{ld}$ - Long time delay (seconds @ $6 \times I_r$ )									
	1000, 1200	2.5	4	6	8	10	14	17	20	25	30

Switch 3	$I_n$ - Maximum trip unit rating (amps)	$I_i$ - Instantaneous pickup (amps)									
	1000	1250	1500	2000	3000	4000	5000	6000	8000	9000	10000
	1200	1500	1500	1800	2400	3600	4800	6000	7200	8400	10000

Switch 4	$I_n$ - Maximum trip unit rating (amps)	$I_g$ - Ground fault pickup (amps)										
	1000	600	400	400	400	600	600	600	600	1000	1000	1000
	1200	720	480	480	480	720	720	720	720	1200	1200	1200

Switch 4	$I_n$ - Maximum trip unit rating (amps)	$t_g$ - Ground fault delay (seconds)									
	1000, 1200	0.32	0.1	0.2	0.3	0.1	0.2	0.3	0.1	0.2	0.3



### References

$I_n$  = Maximum circuit breaker ampere rating

$I_r$  = Continuous current rating expressed in amperes

$I_i$  = Instantaneous pickup expressed in amperes

$I_{sd}$  = Short time pickup expressed in multiples of  $I_r$

$I_g$  = Ground fault pickup expressed in amperes

$t_{sd}$  = Short time delay - either fixed or  $I^2t$  time delay function

$t_{ld}$  = Long time delay -  $I^2t$  time delay function

$t_g$  = Ground fault delay -  $I^2t$  time delay function

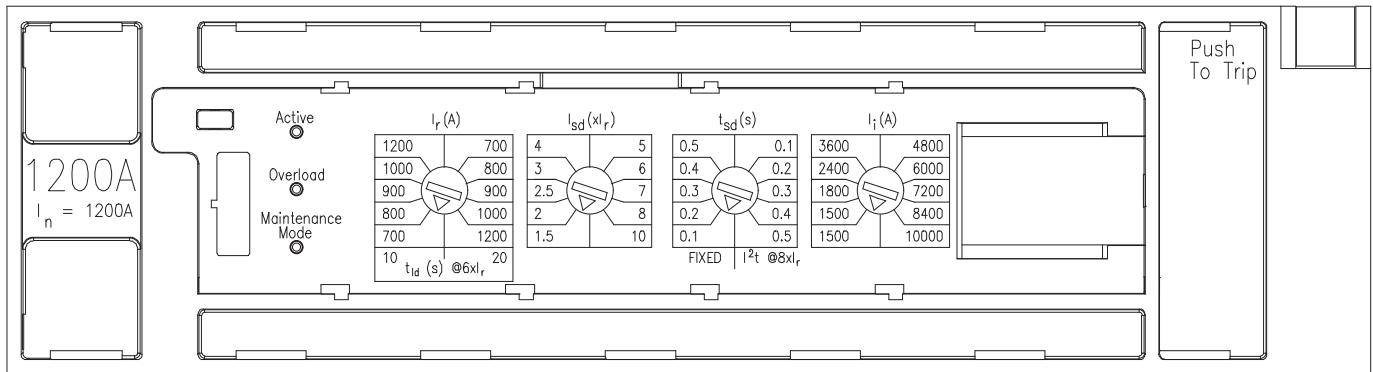
### Electronic Trip Unit, LSI Model

Switch 1	$I_n$ - Maximum trip unit rating (amps)	$I_r$ - Continuous amp (amps)									
	1000	600	700	800	900	1000	600	700	800	900	1000
	1200	700	800	900	1000	1200	700	800	900	1000	1200
Switch 1	$I_n$ - Maximum trip unit rating (amps)	$t_{ld}$ - Long time delay (seconds @ $6 \times I_r$ )									
	1000, 1200	10	10	10	10	10	20	20	20	20	20

Switch 2	$I_n$ - Maximum trip unit rating (amps)	$I_{sd}$ - Short time pickup (amps) $\times I_r$									
	1000, 1200	1.5	2	2.5	3	4	5	6	7	8	10

Switch 3	$I_n$ - Maximum trip unit rating (amps)	$t_{sd}$ - Short time delay (seconds)									
	1000, 1200	0.1-FIXED	0.2-FIXED	0.3-FIXED	0.4-FIXED	0.5-FIXED	0.1 - 8xI <sub>r</sub>	0.2 - 8xI <sub>r</sub>	0.3 - 8xI <sub>r</sub>	0.4 - 8xI <sub>r</sub>	0.5 - 8xI <sub>r</sub>

Switch 4	$I_n$ - Maximum trip unit rating (amps)	$I_i$ - Instantaneous pickup (amps)									
	1000	1250	1500	2000	3000	4000	5000	6000	8000	9000	10000
	1200	1500	1500	1800	2400	3600	4800	6000	7200	8400	10000



### References

$I_n$  = Maximum circuit breaker ampere rating

$I_r$  = Continuous current rating expressed in amperes

$I_i$  = Instantaneous pickup expressed in amperes

$I_{sd}$  = Short time pickup expressed in multiples of  $I_r$

$I_g$  = Ground fault pickup expressed in amperes

$t_{sd}$  = Short time delay - either fixed or  $I^2t$  time delay function

$t_{ld}$  = Long time delay -  $I^2t$  time delay function

$t_g$  = Ground fault delay -  $I^2t$  time delay function

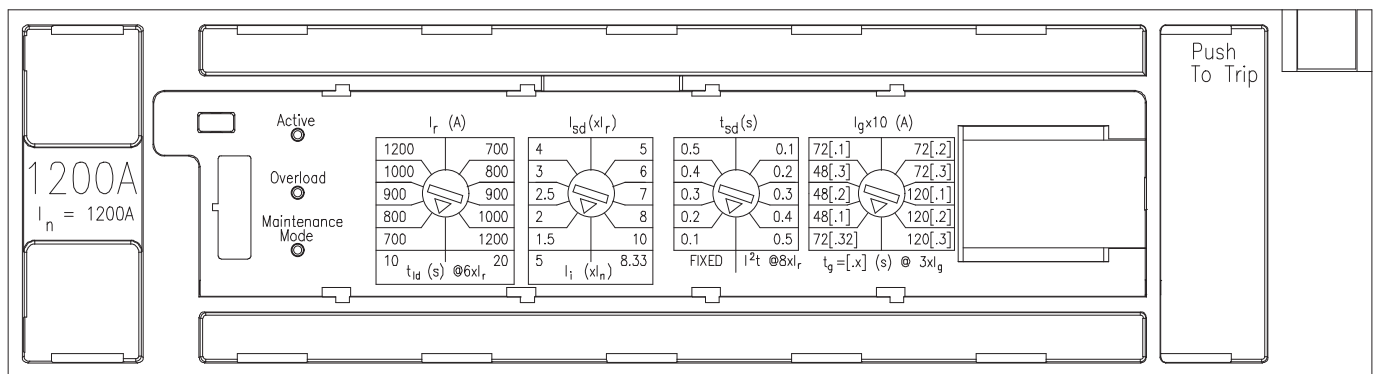
### Electronic Trip Unit, LSIG Model

Switch 1	$I_n$ - Maximum trip unit rating (amps)	$I_r$ - Continuous amp (amps)									
	1000	600	700	800	900	1000	600	700	800	900	1000
	1200	700	800	900	1000	1200	700	800	900	1000	1200
Switch 1	$I_n$ - Maximum trip unit rating (amps)	$t_{ld}$ - Long time delay (seconds @ $6 \times I_r$ )									
	1000, 1200	10	10	10	10	10	20	20	20	20	20

Switch 2	$I_n$ - Maximum trip unit rating (amps)	$I_{sd}$ - Short time pickup (amps) $\times I_r$									
	1000, 1200	1.5	2	2.5	3	4	5	6	7	8	10
	$I_n$ - Maximum trip unit rating (amps)	$I_i$ - Instantaneous pickup (amps)									
Switch 2	1000	5000	5000	5000	5000	5000	10000	10000	10000	10000	10000
	1200	4800	4800	4800	4800	4800	10000	10000	10000	10000	10000

Switch 3	$I_n$ - Maximum trip unit rating (amps)	$t_{sd}$ - Short time delay (seconds)									
	1000, 1200	0.1-FIXED	0.2-FIXED	0.3-FIXED	0.4-FIXED	0.5-FIXED	0.1 - $8 \times I_r$	0.2 - $8 \times I_r$	0.3 - $8 \times I_r$	0.4 - $8 \times I_r$	0.5 - $8 \times I_r$

Switch 4	$I_n$ - Maximum trip unit rating (amps)	$I_g$ - Ground fault pickup (amps)									
	1000	600	400	400	400	600	600	600	1000	1000	1000
	1200	720	480	480	480	720	720	720	1200	1200	1200
Switch 4	$I_n$ - Maximum trip unit rating (amps)	$t_g$ - Ground fault delay									
	1000, 1200	0.32	0.1	0.2	0.3	0.1	0.2	0.3	0.1	0.2	0.3



### References

$I_n$  = Maximum circuit breaker ampere rating

$I_r$  = Continuous current rating expressed in amperes

$I_i$  = Instantaneous pickup expressed in amperes

$I_{sd}$  = Short time pickup expressed in multiples of  $I_r$

$I_g$  = Ground fault pickup expressed in amperes

$t_{sd}$  = Short time delay - either fixed or  $I^2t$  time delay function

$t_{ld}$  = Long time delay -  $I^2t$  time delay function

$t_g$  = Ground fault delay -  $I^2t$  time delay function

## Shipping Weights

Breaker Type	Number per Carton	Shipping Weight (lbs)
SND6	1	61.5
SHND6	1	61.5
SCND6	1	61.5

## Accessories

### Shunt Trip Combinations

Control Voltage		1 Shunt Trip	1 Shunt Trip and 1 Auxiliary Switch
AC	DC	Catalog Number	Catalog Number
120		S01MN6	S01MN64A
208		S02MN6	-
240		S03MN6	S03MN64A
277		S15MN6	S15MN64A
480		S04MN6	S04MN64A
600		S06MN6	-
	12	S16MN6	S16MN64A
	24	S07MN6	S07MN64A
	48	S09MN6	-
	125	S11MN6	S11MN64A
	250	S12MN6	S13MN64A

### Lugs for 75°C Wire

Catalog Number	No of Cables per Connector	Wire Range
TA2K500	2	#1-500 kcmil Cu/Al
TA3K500	3	#1-500 kcmil Cu/Al
TC2K500	2	#1-500 kcmil Cu
TC3K350	3	#1-350 kcmil Cu
Kits (2 kits required per breaker)		
2TA4P8500	4	250-500 kcmil Cu/Al
3TA4P8500 <sup>①</sup>		
2TA4N8500	4	250-500 kcmil Cu/Al
3TA4N8500		
2TA2N8750	2	500-750 kcmil Cu/Al
3TA2N8750		
2TA3N8750	3	500-750 kcmil Cu/Al
3TA3N8750		
Compression Lugs		
CCN1200K2	(8 pcs)	500 kcmil Cu/Al
CCN1200K3 <sup>①</sup>	(12 pcs)	500 kcmil Cu/Al

<sup>①</sup> For 100% rated breakers, use 3TA4P8500 or CCN1200K3 with 90°C rated wire sized at 75°C ampacity.

### Undervoltage Trip Combinations

Control Voltage		1 Undervoltage Trip	1 Undervoltage Trip and 1 Auxiliary Switch	1 Undervoltage Trip and 2 Auxiliary Switches
AC	DC	Catalog Number	Catalog Number	Catalog Number
120		U01MN6	U01MN64A	U01MN64AA
208		U02MN6	U02MN64A	U02MN64AA
240		U03MN6	U03MN64A	U03MN64AA
277		U15MN6	U15MN64A	U15MN64AA
480		U04MN6	U04MN64A	U04MN64AA
600		U06MN6	-	-
	24	U07MN6	U07MN64A	U07MN64AA
	48	U09MN6	U09MN64A	U09MN64AA
	125	U11MN6	U11MN64A	U11MN64AA
	250	U13MN6	U13MN64A	U13MN64AA

### Neutral Transformers

Ampere Rating	Catalog Number
800	N08SMDA
1000	N10SNDA
1200	N12SNDA

## Accessories

### Auxiliary Switch Combinations

Maximum Voltage		1 Form C	2 Form C
AC	DC	Catalog Number	Catalog Number
480	250	<b>A01MN64</b>	<b>A02MN64</b>
-	12	<b>A01MNDLV</b>	<b>A02MNDLV</b>

### Alarm Switch Combinations

Maximum Voltage		1 Alarm Switch	1 Alarm Switch and 1 Auxiliary Switch	1 Alarm Switch and 2 Auxiliary Switches
AC	DC	Catalog Number	Catalog Number	Catalog Number
<b>480</b>	<b>250</b>	<b>B00MN64</b>	<b>A01MN64B</b>	<b>A02MN64B</b>

### ETU Testing Unit

Breaker Type	Description	Catalog Number
SJD, SLD, SMD, SND, SPD	Power Stick	<b>EPSP18V</b>
	Spare cable for Power Stick	<b>COMPCA</b>

The EPSP18V Power Stick is a hand-held, battery-operated power supply that can be used for trip testing the Sensitrip IV electronic trip units. Requires two 9V batteries.

### DAS / Maintenance Mode Option and ZSI

- Optional advanced trip units incorporate DAS (Dynamic Arc Flash Sentry) / Maintenance Mode capability and integrated ZSI (Zone Selective Interlocking)
- Advanced trip units are NEC 240.87 code compliant for arc energy reduction
- Activation of DAS / Maintenance Mode capability requires customer-supplied 24V class II power supply, remote maintenance switch and light
- Trip unit type (Basic or Advanced) is designated in the catalog number as follows:
  - B = Basic – standard ETU (example: SND6B400LSIG)
  - A = Advanced – ETU with DAS / Maintenance Mode & ZSI (example: SND6A400LSIG)



Advanced ETU

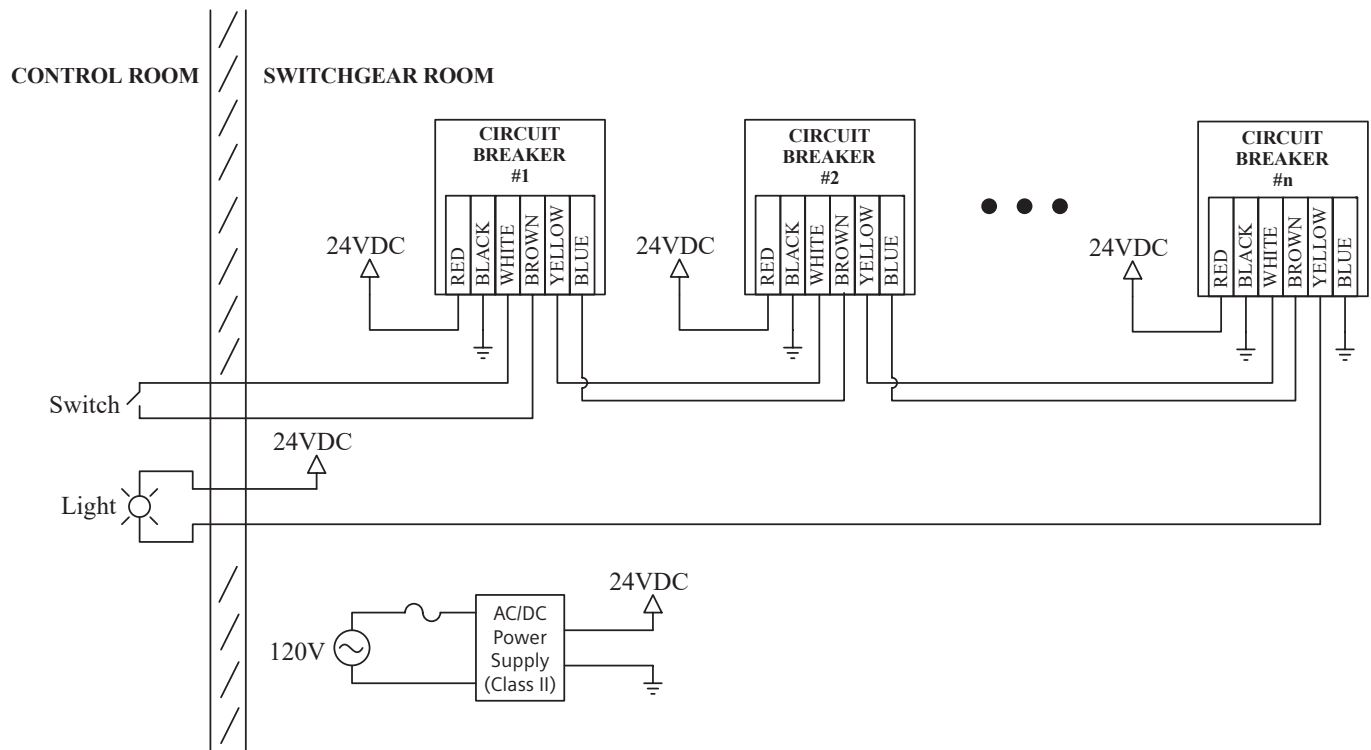


Basic ETU

### Recommended Components for DAS / Maintenance Mode

Component		Catalog Number
AC/DC Power Supply		6EP3331-6SB00-0AY0
Maintenance Light		3SU1102-6AA50-1AA0
Maintenance Switch	Keyed	3SU1100-4BF11-1BA0
	Non-keyed	3SU1100-2BF60-1BA0

### Wiring Diagram for DAS / Maintenance Mode



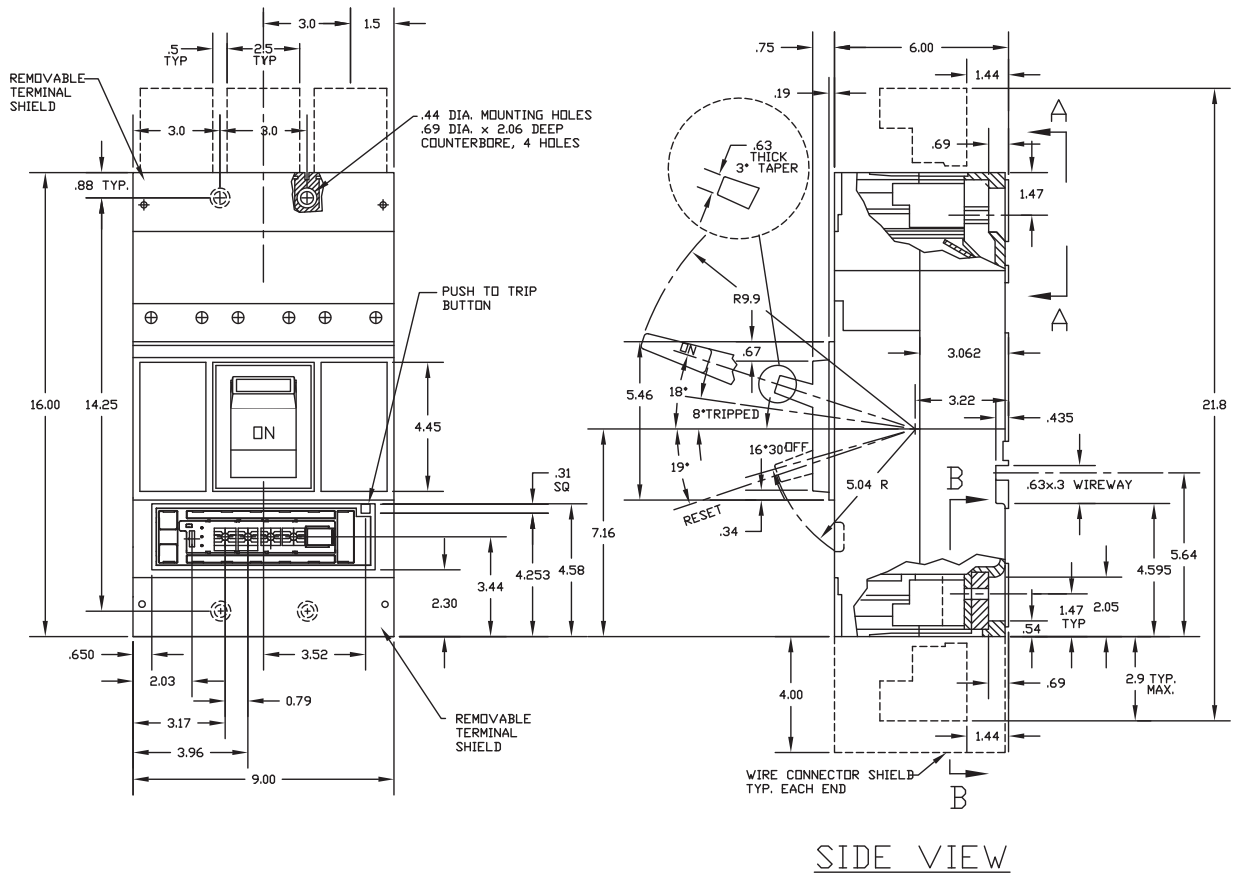
Note: See breaker instruction sheet for further information. Available at [www.usa.siemens.com/sensitrip](http://www.usa.siemens.com/sensitrip).



Dimensional Drawing

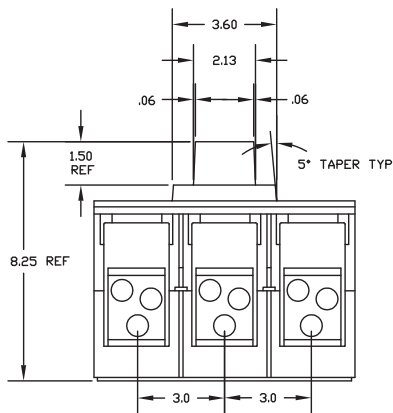
Sentron Sensitrip IV Outline Drawing

MD and ND Frame Types SMD6-B, SCMD6-B, SHMD6-B, SND6-B, SCND6-B, SHND6-B

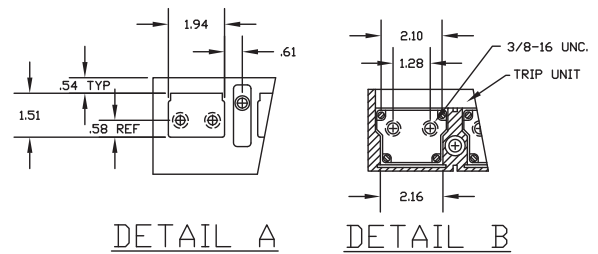


FRONT VIEW

SIDE VIEW



END VIEW



DETAIL A

DETAIL B

HANDLE OPERATING FORCES		
OPERATION	Lb. W/O EXT.	Lb. W/EXT.
OFF TO ON	75	40
ON TO OFF	85	46
TRIPPED TO RESET	130	70

① All drawing dimensions are shown in inches.





**Published by  
Siemens 2018**

Siemens Industry, Inc.  
5400 Triangle Parkway  
Norcross, GA 30092

Siemens Technical Support: 1-800-333-7421  
info.us@siemens.com

Printed in USA  
Order No. CBDS-SNDDS-0718-CP  
All Rights Reserved  
© 2018, Siemens Industry, Inc.  
[usa.siemens.com/sensitrip](http://usa.siemens.com/sensitrip)

The technical data presented in this document is based on an actual case or on as-designed parameters, and therefore should not be relied upon for any specific application and does not constitute a performance guarantee for any projects. Actual results are dependent on variable conditions. Accordingly, Siemens does not make representations, warranties, or assurances as to the accuracy, currency or completeness of the content contained herein. If requested, we will provide specific technical data or specifications with respect to any customer's particular applications. Our company is constantly involved in engineering and development. For that reason, we reserve the right to modify, at any time, the technology and product specifications contained herein.