

Siemens Energy & Automation, Inc.
Bellefontaine, Ohio 43311 U.S.A.

Installation Instructions

⚠ DANGER

Hazardous voltage.
Will cause death or severe injury.

Turn power off supplying device before installing.

POLE	QUANTITY REQUIRED PER BREAKER
2	4 of RS4755
3	4 of RS4755 plus 2 of RS4756

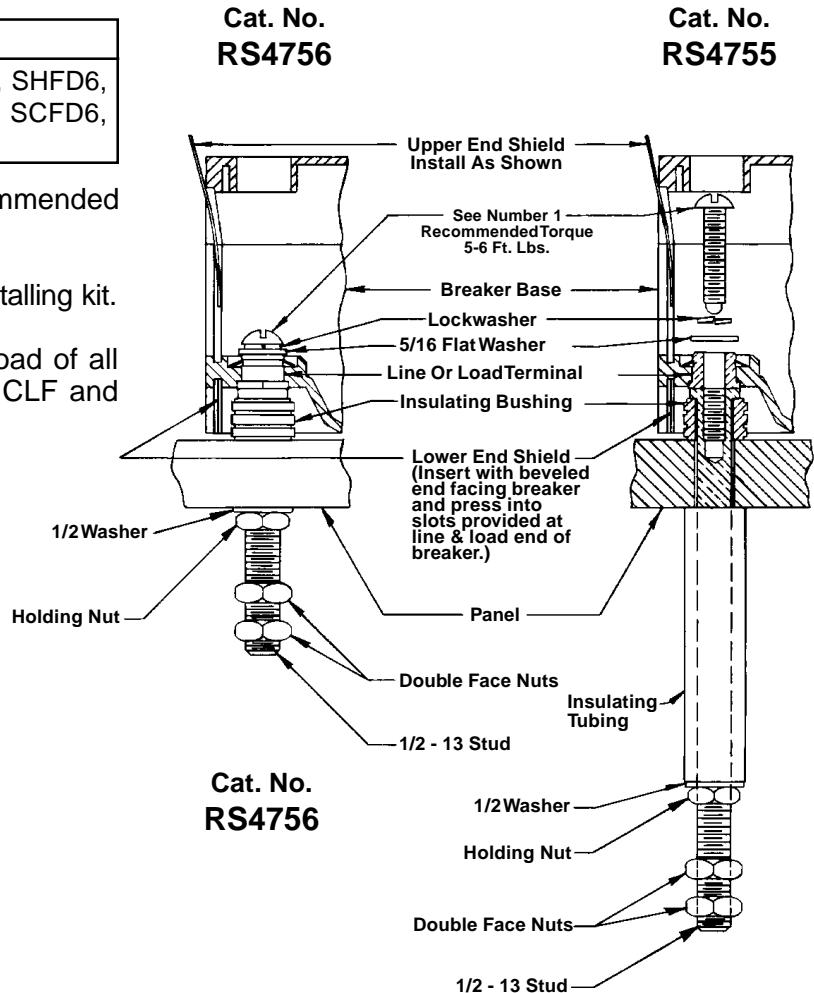
⚠ SAFETY INSTRUCTIONS

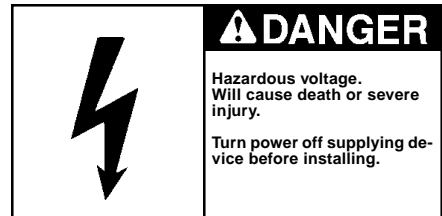
BREAKER TYPES
FJ6(ETI), F6, HF6, CLF(ETI), HFJ6, SFD6, SHFD6, (H)(H)FXD6(ETI), (H)(H)FD6, CFD6(ETI), SCFD6, FFC, FFF

NOTE: This instruction outlines the recommended installation procedure.

Turn power off supplying device before installing kit.

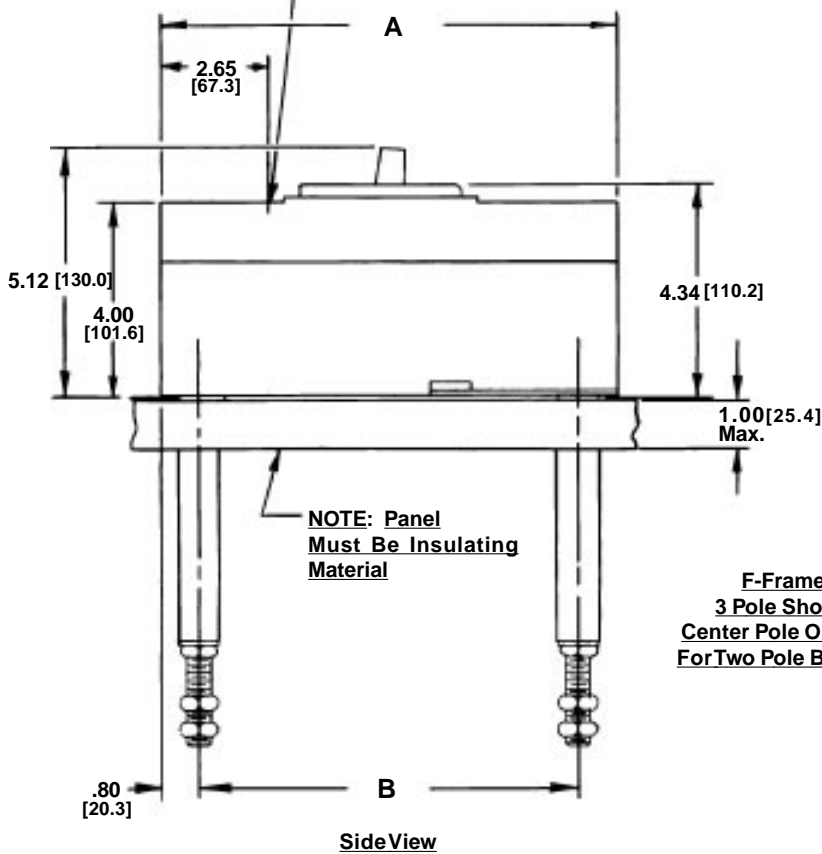
- Use 1 1/2" long screws on line and load of all breaker types listed above except of CLF and CFD use 2" long screws on load side.



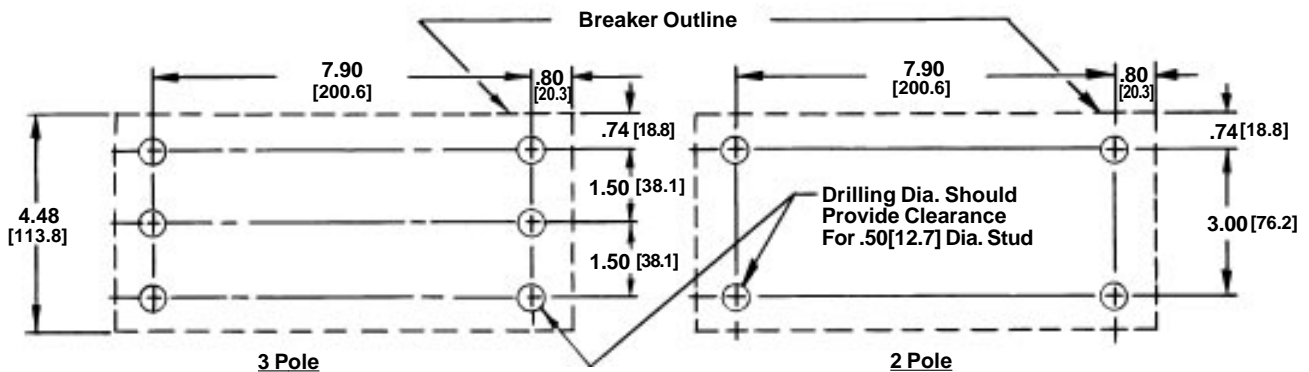
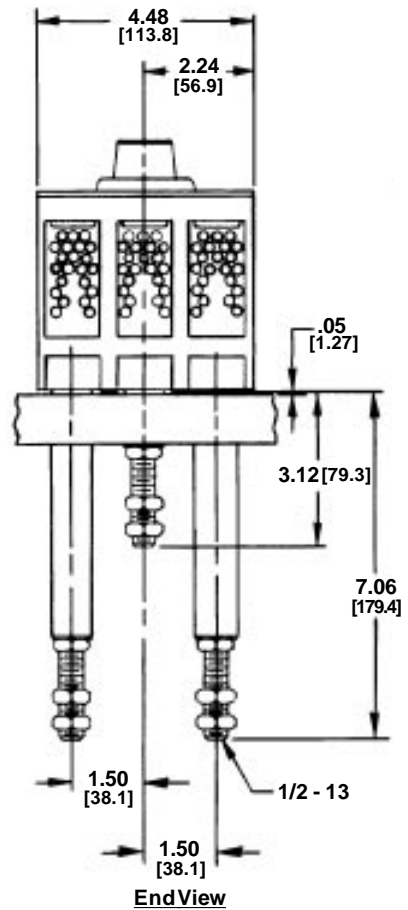


Installation Instructions

Note: Add Label, Pc. No. 60229, between Mounting Cover Screws



Drilling Plan



Dimensions	Torque
Inches [Millimeters]	In.-Lbs. [N/m]

BRK'R	DIM. "A"	DIM. "B"
F	9.50 [241.3]	7.90 [200.6]
CLF	14.20 [360.7]	12.52 [318.0]