

REVISION	DATE	BY	DATE	BY
		DRAWN	07/02/09	GP
		CHEK'D		
		VERIF'D		

Confidential - Property of Siemens Industry, Inc. Building Technologies Division		
CUSTOMER		
ORDER NO.	DWG. NO.	
	1D1Y100BCTP1	SH 1 OF 2

SIEMENS

CATALOG NO. 1D1Y100BCTP1
SERIAL NO. SERIES H
100 kVA 60 Hz 1 PHASE
3.2 % IMP AT 100 °C

80 °C RISE 30 °C AVG. AMBIENT
220 °C TEMP CLASS 40 °C MAX. AMBIENT

PRIMARY (H1 H3 H2 H4) 240X480 V
SECONDARY(X4 X2 X3 X1) 120/240 V

WINDING MATERIAL CU
ENCLOSURE TYPE NEMA-3R
WEIGHT 1200 LBS

SPACINGS BETWEEN ENCLOSURE AND ANY ADJACENT WALL SHALL BE A MINIMUM OF 6 INCHES

MEETS TP-1-2002 EFFICIENCY

SUITABLE FOR INDOOR OR OUTDOOR LOCATIONS
DO NOT INSTALL IN AREAS ACCESSIBLE TO PUBLIC
FOR INSTALLATION SEE INSTRUCTION MANUAL

NEMA Class ANN Dry Type Transformer Siemens Industry, Inc. Norcross, GA

HAM1006

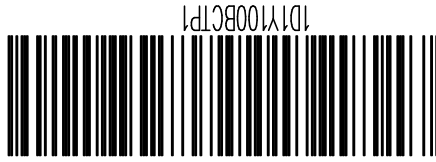
VOLTS	INPUT LINE ON H1 & H4
504	CONNECT
492	H2-1, H3-2
480	H3-2, H2-3
468	H2-3, H3-4
456	H3-4, H2-5
444	H2-5, H3-6
432	H3-6, H2-7
	H2-7, H3-8
252	H2-1, H3-2
240	H2-3, H3-4
228	H2-5, H3-6
216	H2-7, H3-8

CONNECT H2 TO H3 FOR SERIES PRIMARY

CONNECT H1 TO H3 AND H2 TO H4 FOR PARALLEL PRIMARY

VOLTS	CONNECT	OUTPUT LINE
120	X1-X3, X2-X4	X1-X4
240	X2-X3	X1-X4
240/120	X2-X3	X1-X2-X4

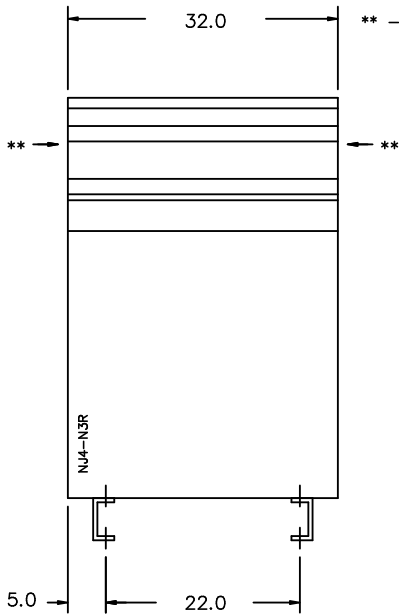
dsu0602e



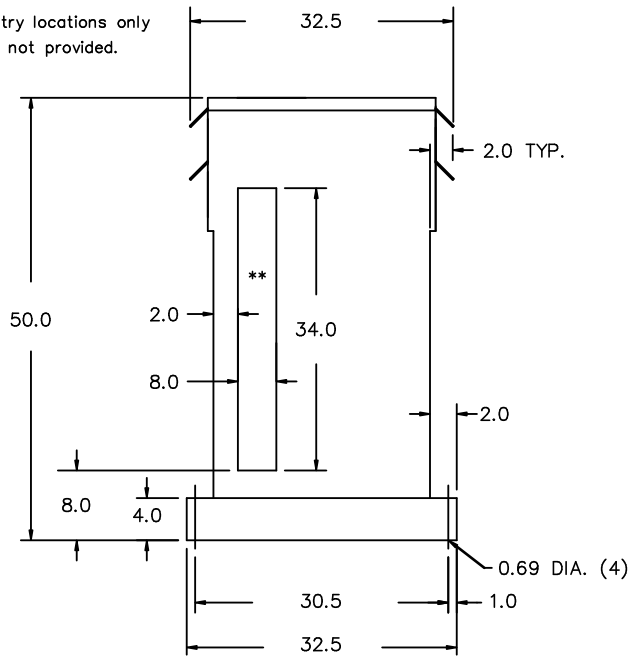
1D1Y100BCTP1

FRONT VIEW

SIDE VIEW



** - Recommended cable entry locations only
cutouts & gland plates not provided.



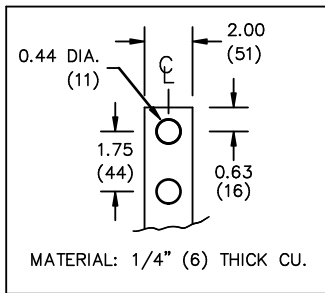
All Dimensions in inches

ENCLOSURE COLOR : ANSI 61 GREY - OUTDOOR

H.V.1. TERMINAL DETAIL

L.V.1. TERMINAL DETAIL

MECHANICAL TYPE LUGS INCLUDED
SUITABLE FOR 600MCM-2 CU/AL
CONDUCTORS
1 CONDUCTOR PER PHASE



CUSTOMER NOTES:

- HV1 TERMINATED AT TOP FRONT
- LV1 TERMINATED AT BOTTOM FRONT

Confidential - Property of
Siemens Industry, Inc.
Building Technologies Division

REVISION	DATE	BY	DATE	BY	CUSTOMER
			07/02/09	GP	

ORDER NO. DWG. NO. 1D1Y100BCTP1 SH 2 OF 2