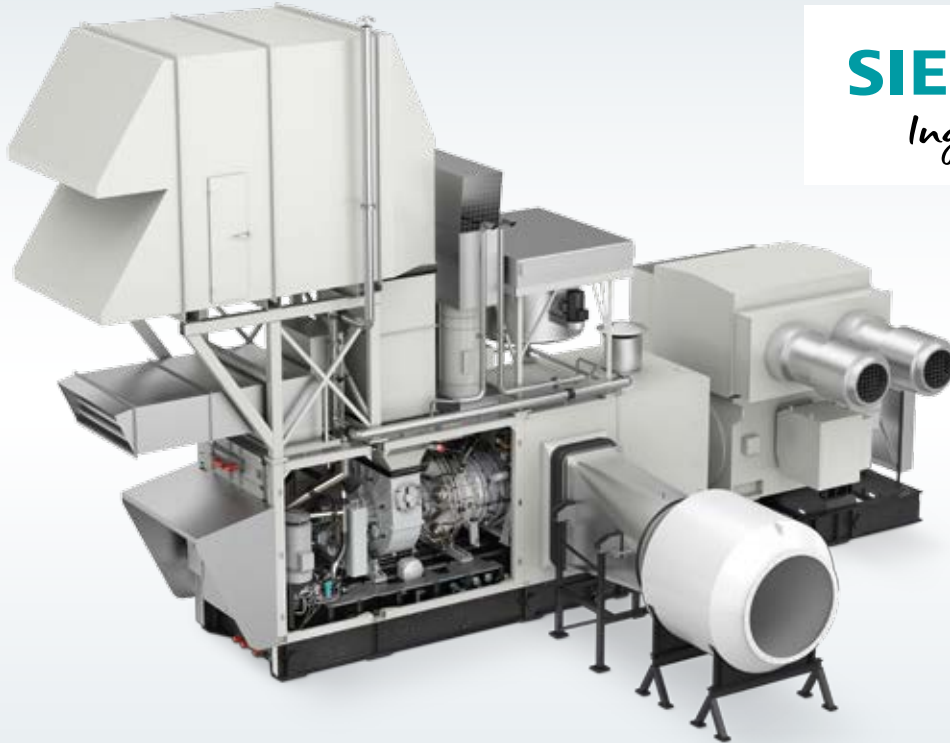


SIEMENS

Ingenuity for life



SGT-400 fast power

Power to the grid in just 6 months –
delivery on short notice worldwide

The SGT-400 fast power package comprises a compact power block that combines flexible and reliable base and peak load power generation with fast delivery. With the proven SGT-400, it is possible to establish the connection to the grid within 6 months after receipt of customer order.

SGT-400 fast power package

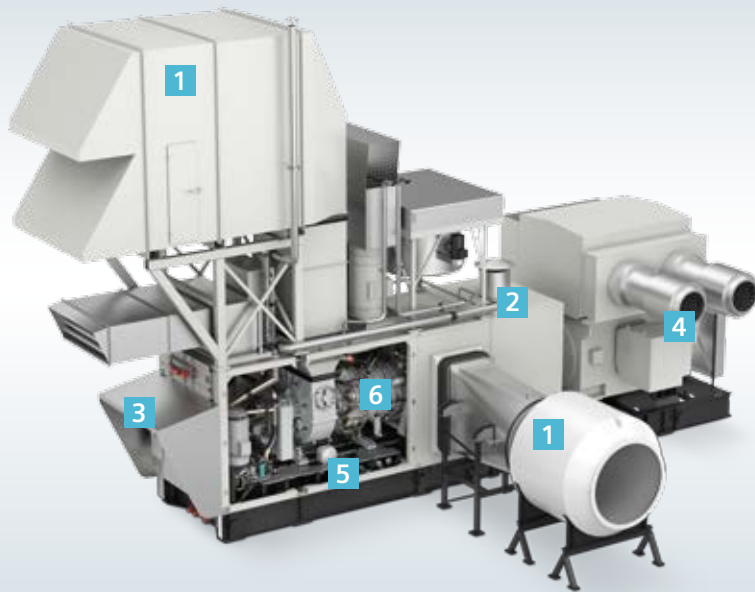
- Enclosure: 12.9 MW SGT-400 dual fuel core engine, fuel and lubricating oil systems, gas detection/fire protection, reduction gearbox, start system
- 11 kV AC generator
- Intake and exhaust systems
- Local equipment room: motor control centre, generator control panel, gas turbine controls, battery and chargers
- Off package fuel systems
- Interconnecting cables and piping for supplied equipment
- Site earthing, lightning protection

Customer service and maintenance

- 24-hour core engine swap
- Maximized serviceability – on-site maintenance or gas generator removal for off-site maintenance
- Just 25 scheduled maintenance days over a 5-year service cycle
- Minimized load-to-load downtime
- Remote diagnostic service with online monitoring, expert performance data analysis, and fleet data comparisons
- 24-hour global help desk
- Inhouse or on-site training programs
- Range of maintenance and service contracts

Key benefits

- Power within 6 months
- Modular package based on up to 12.9 MW(e) gas turbine for base load and peaking applications
- Proven and reliable technology with more than 300 units sold (> 4 million equivalent operating hours)
- High fuel flexibility
- Short installation and commissioning
- Easier to transport and relocate
- Highest efficiency in market
- Low oil & water consumption
- High power density compact footprint



Scope of supply

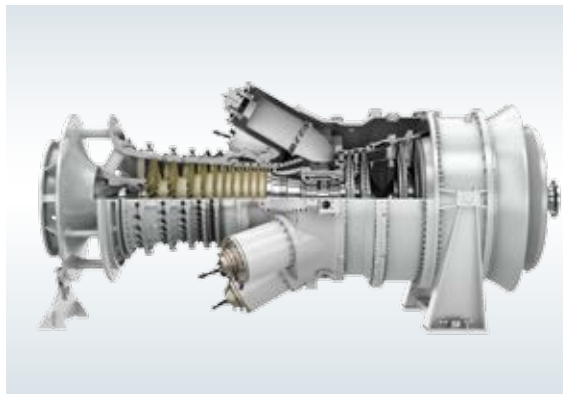
- 1 Combustion air intake and exhaust systems
- 2 Outdoor enclosure with noise protection
- 3 Local control panel
- 4 Air-cooled generator
- 5 Auxiliary system
- 6 SGT-400 core engine

Powerful and ecofriendly

- Reduced noise emissions according to international standards
- Low oil & water consumption
- Minimized emissions
- Suitable for all climate conditions
- Possible extension with steam cycle to CCPP and CHP

SGT-400 core engine

- 12.9 MW(e)
- High efficiency
- Easy to maintain
- Proven availability in excess of 98% over 10 years
- Low emissions due to dual fuel DLE technology
- Black-start capability
- Emission compliant operational flexibility
- Flexible with regard to fuel quality and fuel pressure



	Simple cycle power generation
	13 MW version
Power output	up to 12.9 MW(e)
Fuel	Natural gas, liquid fuel, dual fuel; other fuels on request; automatic changeover from primary to secondary fuel at any load
Frequency	50 Hz
Gross efficiency	33.9%
Heat rate	10,616 kJ/kWh
Turbine speed	9,500 rpm
Pressure ratio	16.8 : 1
Exhaust gas flow	39.4 kg/s
Exhaust temperature	540° C (1,004° F)
NO_x emissions	≤25 ppmvd at 15% O ₂ on fuel gas (with DLE)

Published by
Siemens AG 2018

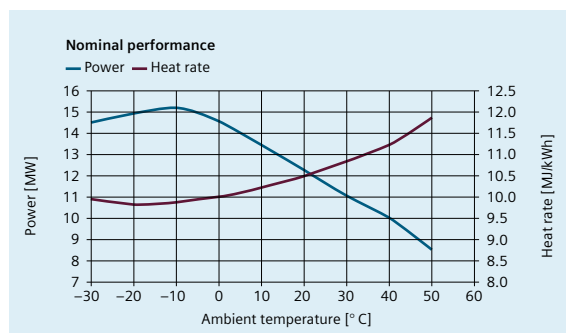
Power and Gas Division
Distributed Generation
Freyeslebenstrasse 1
91058 Erlangen, Germany

Article No. PGDG-T10027-00-7600
Printed in Germany
Dispo 05400
TH 566-180228 FS 0418

Subject to changes and errors.
The information given in this document only contains general descriptions and/or performance features which may not always specifically reflect those described, or which may undergo modification in the course of further development of the products. The requested performance features are binding only when they are expressly agreed upon in the concluded contract.

Note: At ISO conditions. All combined cycle performance is based on dual pressure, no reheat. Above dimensions exclude inlet filter housing and exhaust stack. For power generation, AC generator is included.

SGT-400 performance



Above performances at ISO conditions, gaseous fuel