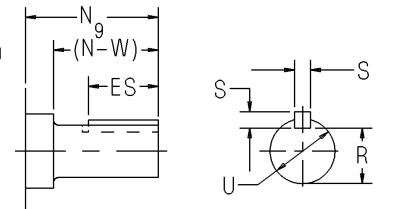
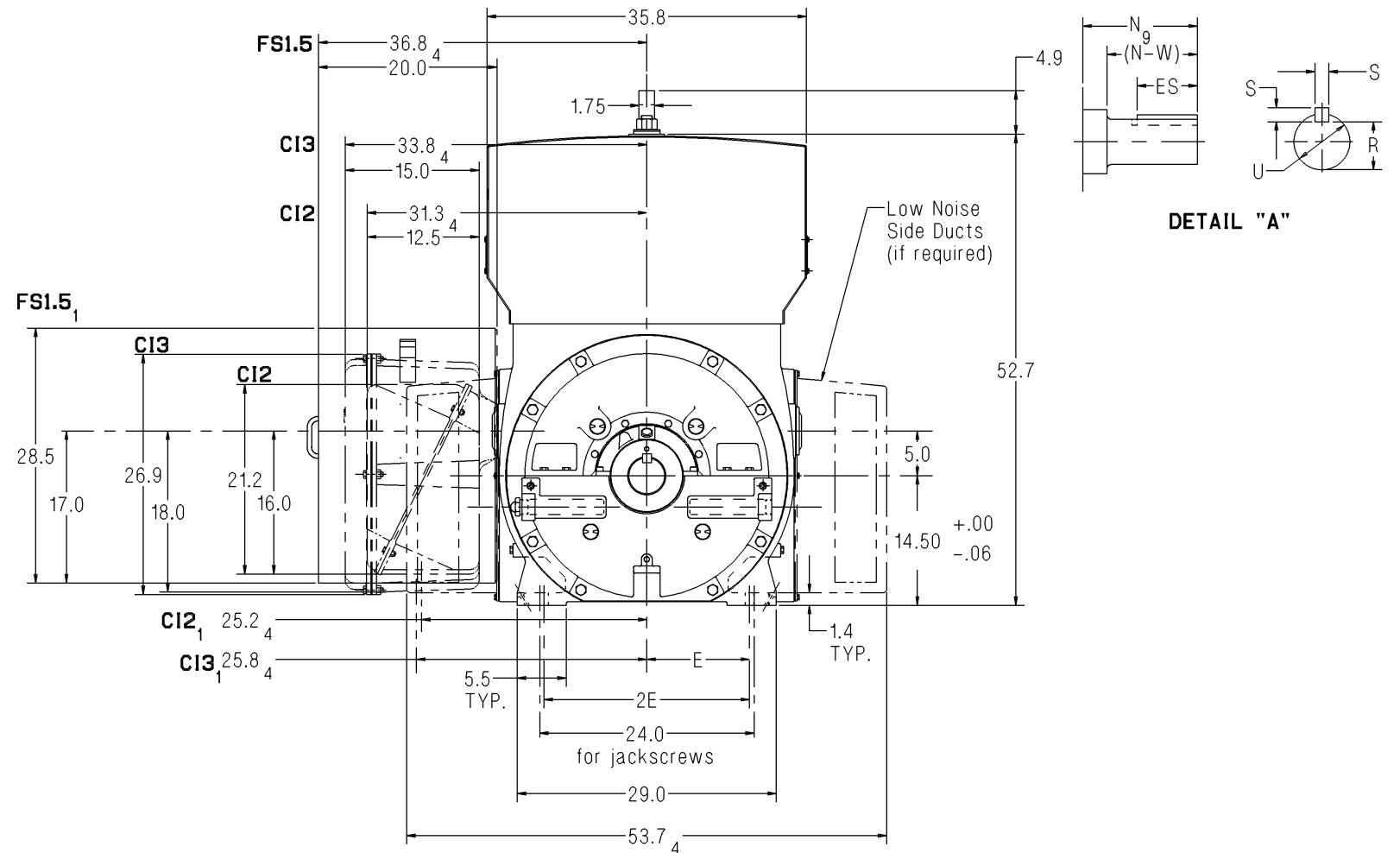
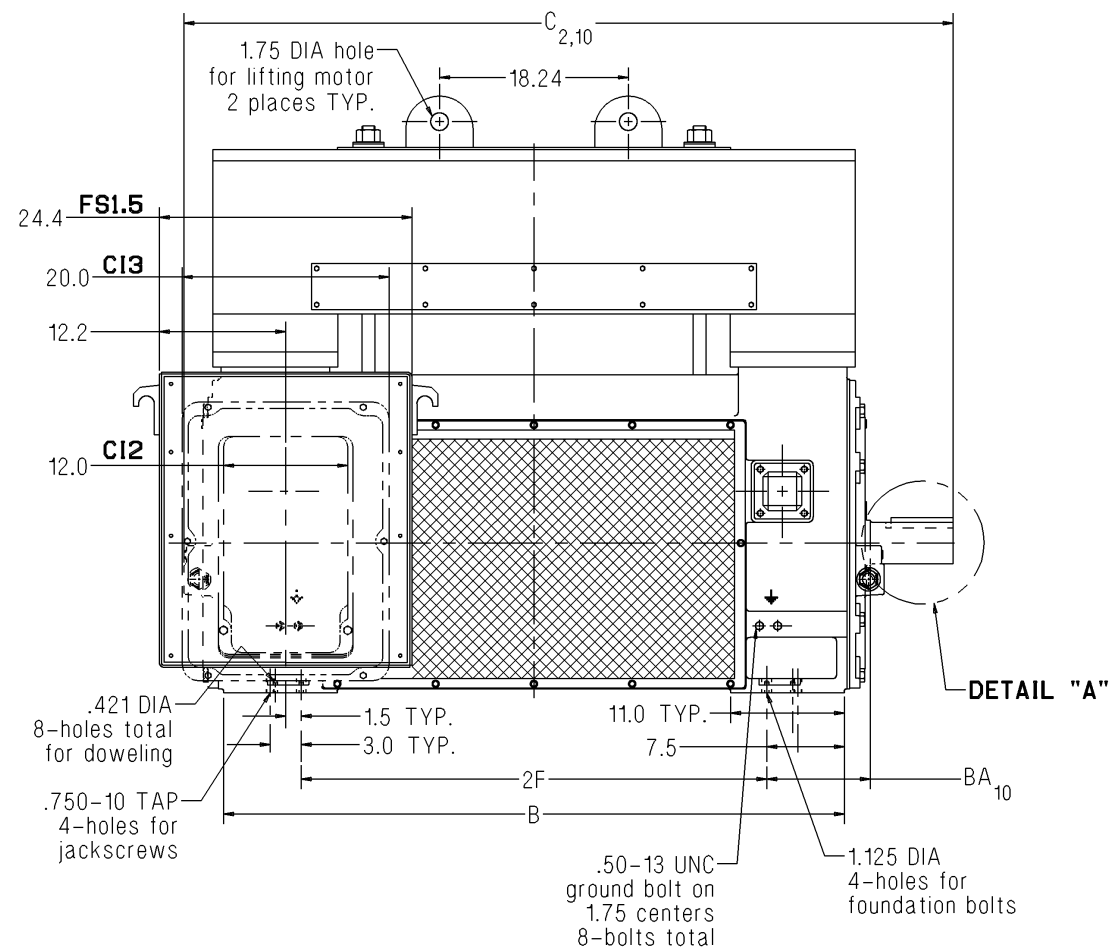


SIEMENS

Dimension Prints for Above NEMA Motors

Type CG – Horizontal – Open Drip Proof / Weather Protected Type I
Sleeve Bearing – Direct Connected
Frame 5812 – 6 Pole & Slower – Rotatable Main Conduit Box



Notes:

1. Main conduit box may be rotated in steps of 90°. A removable bottom plate is supplied on the FS1.5 conduit box. A 5.0 N.P.T. is supplied on the CI2 and CI3 conduit boxes.
2. C = Length of motor from drive end of shaft to end of non-drive end of motor.
3. V = (N-W)-0.25" = length of shaft available for coupling.
4. Adding the low noise side duct requires a 10.75" spacer for all rotatable conduit boxes. All associated rotatable conduit box dimensions will change accordingly.
5. Machines may rotate in either direction.
6. Shims may be necessary under motor feet for direct connection.
7. Rotor end float = 0.5"
8. End float of LEF coupling = 0.19"
9. Adding a rotating labyrinth seal to the drive end decreases N by: 6 Pole & Slower: 0.28"
10. When adding a ground brush, consult the factory. (BA and C will increase.)
11. For motors equipped with provisions for proximity probes use this print for our standard internal mounting.

Lubrication Per Bearing	
6 Pole & Slower	
290-350 SUS @ 100°F	
3.5 qt. capacity	

Standard Dimensions in Inches

Shaft	Frame	Speed	B	BA ₁₀	C _{2,10}	E	2F	N ₉	(N-W)	R	S	U	V ₃	ES	Approx. Ship Wt. (Lbs)
Short	5812S	6 Pole & Slower	60.0	10.00	74.3	11.5	45.0	8.38	8.00	3.436	1.000	4.000	7.75	6.0	7700

Certification: Customer _____ P.O. _____ S.O. _____ Item _____
 HP _____ RPM _____ Frame _____ PH/HZ/Volts 3/_____/_____
 By _____ Date _____ Terminal Box Size CI2 CI3 FS1.5
 Comments _____
 Not for construction, installation or application purposes unless certified.

CG_5812_6plusPL_SLV_ROT
Revision 01
01/27/09