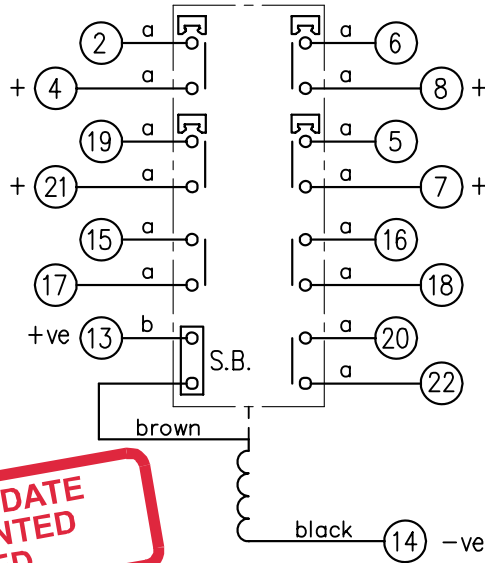


LOOKING ON FRONT OF RELAY

2112W50155



**NOT SUBJECT TO UPDATE  
ONCE COPIED / PRINTED  
OR DOWNLOADED**

**PRINTED ON 16/10/2012  
ENSURE CORRECT REVISION  
DESTROY AFTER USE**

NOTE:

1. HEAVY DUTY CONTACTS ARE FITTED WITH BLOWOUT MAGNETS AND ARE POLARITY CONSCIOUS SEE ABOVE CONFIGURATION FOR THE POSITIVE TERMINALS.

**KEY**

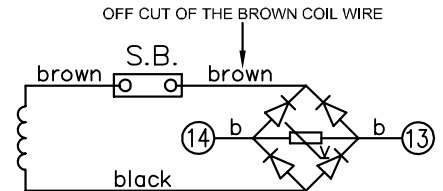
- make contact
- break contact
- c/o contact
- ext. conn
- plug bridge - shorting
- metering point
- 5Kv barrier
- test socket - shorting
- plug & socket

**ASSEMBLY WIRES USED**

a	2107B10001	14 OFF
b	2107D10161	3 OFF

COIL	2112G20019	2112G20020	2112G20022	2112G20023	2112G20026	2112G20029
Vdc	24	30	50	60	125	240

NOTE: WHEN RECTIFIER IS SPECIFIED COIL CONNS. ARE AS SHOWN.



FRAME REFERENCE: E2FAQM.

FRAME TERMINAL BLOCK ASSY: -

ASSEMBLY INSTRUCTIONS: -  
TYPICAL ASSEMBLY DRAWING 2995G10032.  
AT INDICATED POSITIONS FIT AS FOLLOWS:  
T - FIT TRIP ISOLATION CONTACT 2995B10053  
S - FIT STANDARD CONTACT 2995B10054  
SECURE CONTACTS USING FIXING SCREW 2109F99009.  
POSITIONS SHOWN BLANK ARE UNUSED

2	T		1
4	T		3
6	T	T	5
8	T	T	7
10			9
12			11
14	S	S	13
16	T	T	15
18	T	T	17
20	T	T	19
22	T	T	21
24			23
26			25
28			27

VIEW FROM NUMBERED SIDE OF BLOCK

OUTER TERMINAL BLOCK ASSY: -

ASSEMBLY INSTRUCTIONS: -  
TYPICAL ASSEMBLY DRAWING 2995G10029.  
AT INDICATED POSITIONS FIT AS FOLLOWS:  
S - FIT STANDARD CONTACT 2995B10051  
HC - FIT 'HEAVY CURRENT' KIT 2995G10030  
WHERE IS SHOWN FIT CT SHORTING KIT 2995G10031  
POSITIONS SHOWN BLANK ARE UNUSED.  
ALL POSITIONS FIT SCREW 2106F12506.

2	S		1
4	S		3
6	S	S	5
8	S	S	7
10			9
12			11
14	S	S	13
16	S	S	15
18	S	S	17
20	S	S	19
22	S	S	21
24			23
26			25
28			27

VIEW FROM INSIDE FACE

Copyright © 2002 VATECH REYROLLE ACP Ltd. Hebburn

			Title: T.B. AND W.D. FOR AR112SB RELAY WITH 4MHD/3MSTD/1SB CONTACTS		First used on:										
					Similar Articles:										
					Supersedes:										
			Original Scale:		Drg.No. <b>2112W50155</b>										
<table border="1"> <tr> <td>3 RDW</td> <td>09/10/12</td> <td>MN112/3556 JB</td> </tr> <tr> <td>2 RDW</td> <td>16/01/04</td> <td>MN112/2606</td> </tr> <tr> <td>1</td> <td>30/10/02</td> <td></td> </tr> </table>			3 RDW	09/10/12	MN112/3556 JB	2 RDW	16/01/04	MN112/2606	1	30/10/02		<b>VATECH REYROLLE</b> <b>AUTOMATION, CONTROL &amp; PROTECTION</b>			
3 RDW	09/10/12	MN112/3556 JB													
2 RDW	16/01/04	MN112/2606													
1	30/10/02														
DRAWN: A.LAW.		CHECKED: RD.WATSON		APPROVED: RD.WATSON		DATE: 31/10/02									
				IE:		OPS:									