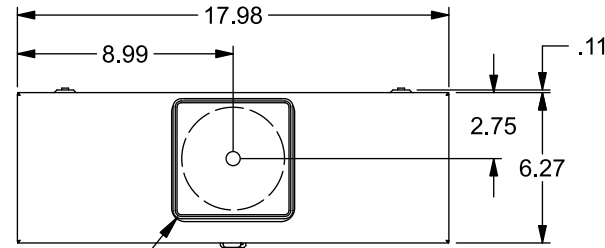


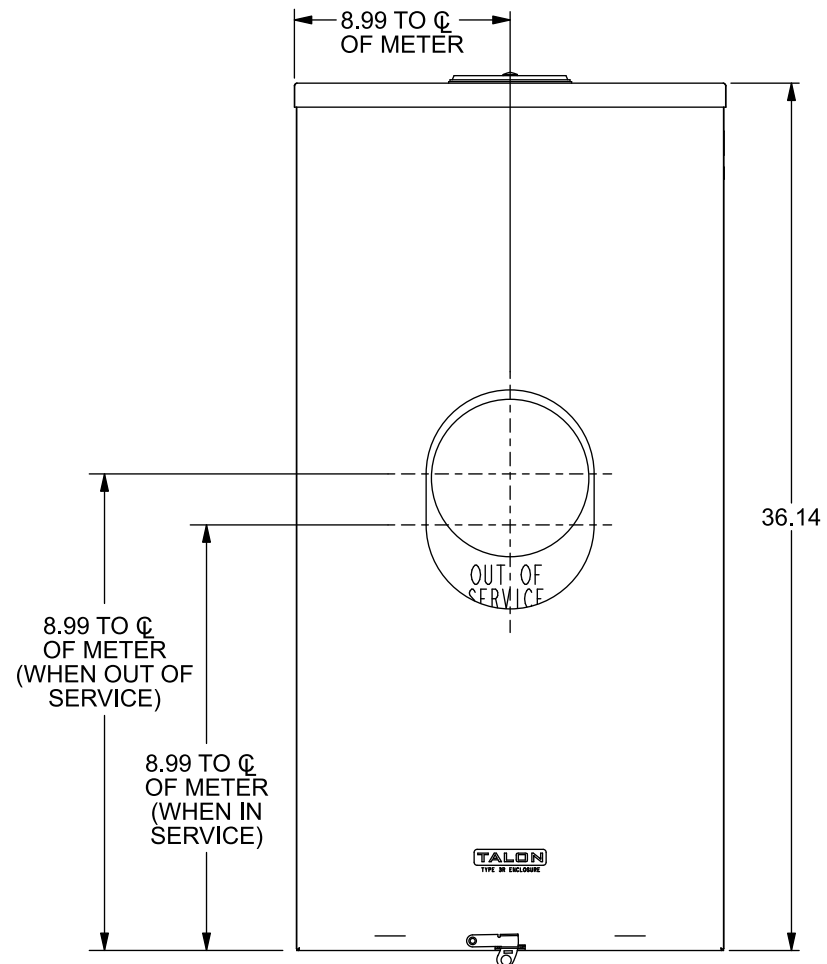
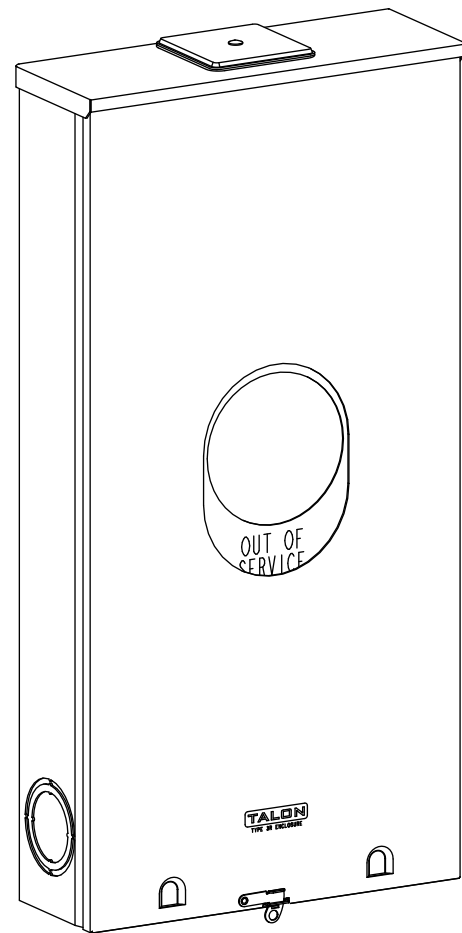
# Catalog Number: 9810-8530

## Features and Ratings

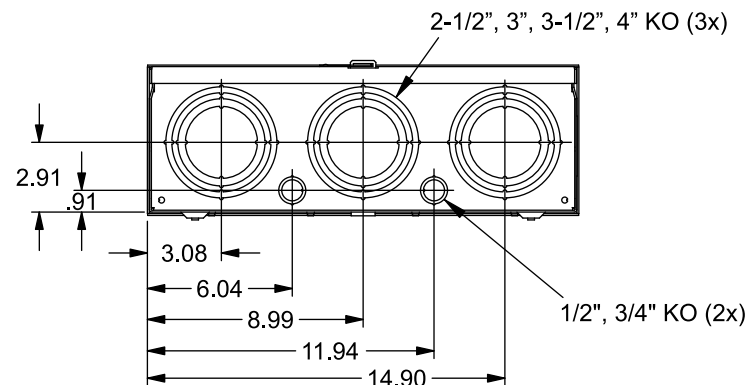
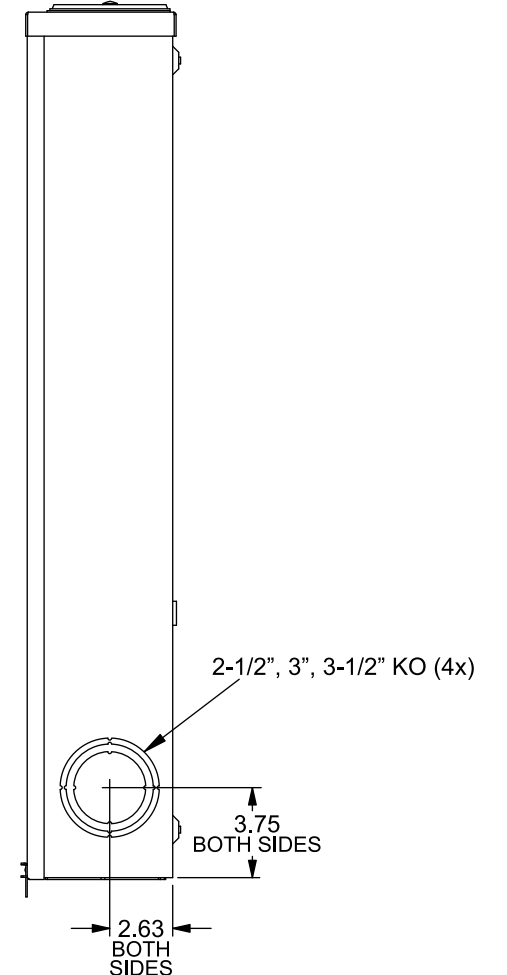
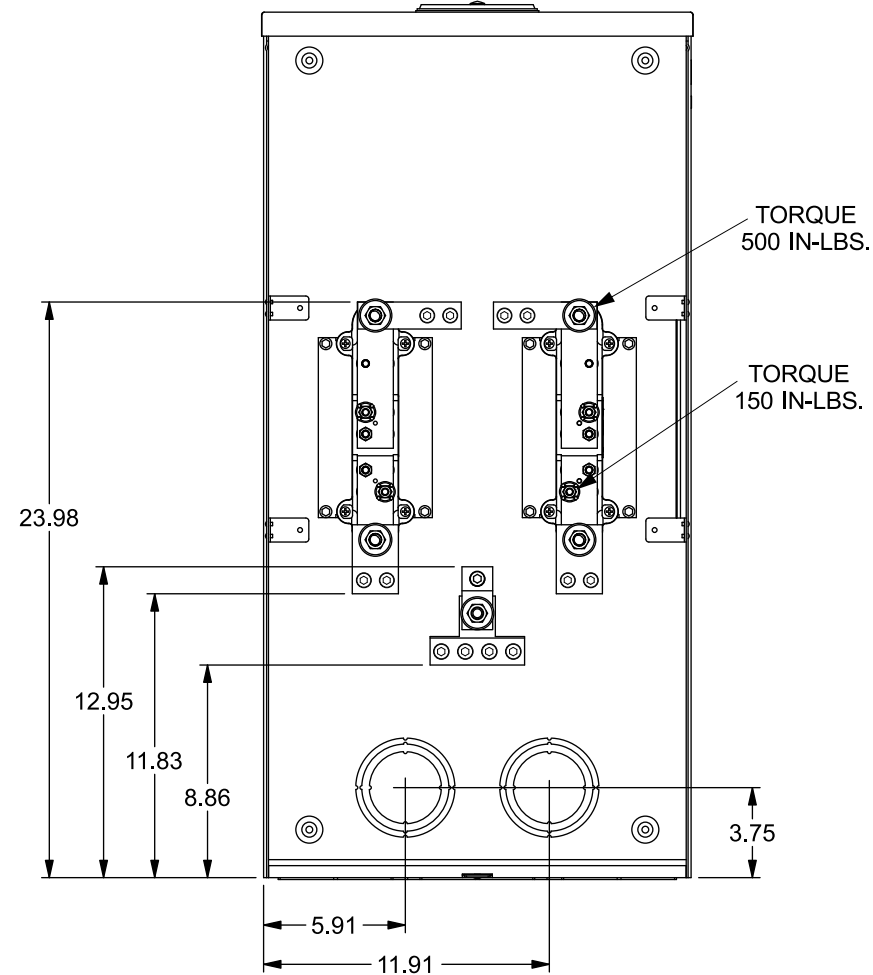
- Ringless Type Meter Socket
- 400A CU / 395 AL Continuous, 300V AC
- Outdoor Enclosure (NEMA Type 3R)
- Painted G90 Steel Enclosure
- 1 Phase, 3-Wire
- Meter Socket Type K-4UT
- For Overhead & Underground Service
- HD Type Hub Opening, Cover Plate Installed



TYPE HD (LARGE) HUB OPENING  
COVER PLATE INSTALLED



VIEW SHOWN WITH COVERS REMOVED



## Accessories

CONDUIT HUBS (HD Type)	
TRADE SIZE	CATALOG No.
3 INCH	EC56856 or H56856-2
3-1/2 INCH	EC56857 or H56857-2
4 INCH	EC56858 or H56858-2
Hub Cover Plate	EC56933 or H56933S

K4 Lexan Shield Cat No: 5007400-K  
K4 Manual Bypass Cat No: H56495

Blank Sliding Cover  
Steel - Cat. No: HA-300529-3  
Aluminum - Cat. No: HA-300529-4

## Connectors, Wire Sizes and Torques

CONNECTOR	PART No.	WIRE SIZE	TORQUE
LINE	56427	(2) #6 - 350 kcmil	275 IN-LBS.
LOAD	56425	(2) #6 - 350 kcmil	275 IN-LBS.
NEUTRAL	56426	(4) #6 - 350 kcmil	275 IN-LBS.
GROUND	56734	#6 - 250 kcmil	275 IN-LBS.

© 2019 Copyright Siemens Industry, Inc.

**TALON**

**Meter Socket**

Description: **400A Cont, 4 Terminal, K-4UT, 300V AC, Painted Steel Enclosure**

KAM 1/4/19 DO NOT SCALE DRAWING Dwg No: **9810-8530**