

# RESIDENTIAL Product

NEWS

## Branch Circuit Breaker

### Features and Benefits

- UL listed per UL489.
- Form, Fit and Function replacement for our present Siemens Type QPM and QPJ circuit breakers.
- Interrupt rating of 10KA or 22KA (black handle) or 65KA (grey handle).
- Branch circuit breaker for Siemens Single Phase Load Center.
- Shunt trip available, use 00S01 suffix for ordering.



The new circuit breaker family QN2150R thru QN2200R offers the latest in thermal-magnetic circuit breaker design. It directly replaces the now obsolete fully magnetic sensing QPM2150RV thru QPM2200RV and QPJ2150 thru QPJ2200 circuit breaker families. In this new design the handle returns to the center (trip) position similar to our other thermal trip

circuit breakers. With a thermal sensing design and blow-off contacts, this circuit breaker offers a higher level of protection because the circuit breaker trip time adjusts to the temperature of the attached wire, while keeping the magnetic characteristic that assures a quick trip under high current conditions.

## Technical Specifications

These circuit breakers are UL listed per Standard 489 and meet the requirements of the National Electrical Code®. Circuit breakers are available from 150 amps to 200 amps at 120/240V AC. These circuit breakers require 4 panel spaces, 2 adjacent and 2 opposite. A shunt trip version is available on special order. See diagram below for dimensions.

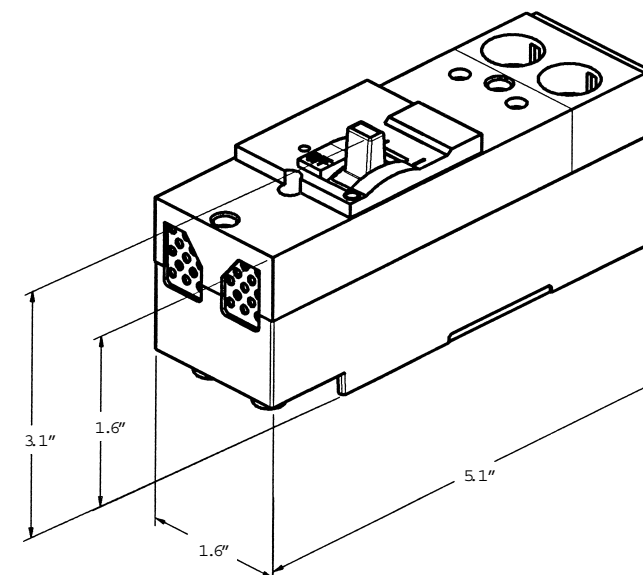
## Selection Information

### 2-Pole, 120/240V AC

Ampere Rating	Catalog Number	AIC	Std. Quantity	Approx. Wgt. (Lbs.) <sup>①</sup>	Wire Range
150	QN2150R	10K	1	3	#4 - 300 kcmil Cu/Al
175	QN2175R	10K	1	3	#4 - 300 kcmil Cu/Al
200	QN2200R	10K	1	3	#4 - 300 kcmil Cu/Al
150	QN2150RH	22K	1	3	#4 - 300 kcmil Cu/Al
175	QN2175RH	22K	1	3	#4 - 300 kcmil Cu/Al
200	QN2200RH	22K	1	3	#4 - 300 kcmil Cu/Al
150	HQN2150R	65K	1	3	#4 - 300 kcmil Cu/Al
175	HQN2175R	65K	1	3	#4 - 300 kcmil Cu/Al
200	HQN2200R	65K	1	3	#4 - 300 kcmil Cu/Al
150	QN2150R00S01	10K	1	3	#4 - 300 kcmil Cu/Al
175	QN2175R00S01	10K	1	3	#4 - 300 kcmil Cu/Al
200	QN2200R00S01	10K	1	3	#4 - 300 kcmil Cu/Al
150	QN2150RH00S01	22K	1	3	#4 - 300 kcmil Cu/Al
175	QN2175RH00S01	22K	1	3	#4 - 300 kcmil Cu/Al
200	QN2200RH00S01	22K	1	3	#4 - 300 kcmil Cu/Al

① Shipping carton weight.

## Dimensions



Siemens Energy & Automation, Inc.  
Residential Products  
5400 Triangle Parkway  
Norcross, GA 30092  
www.sea.siemens.com

Authorized Distributor