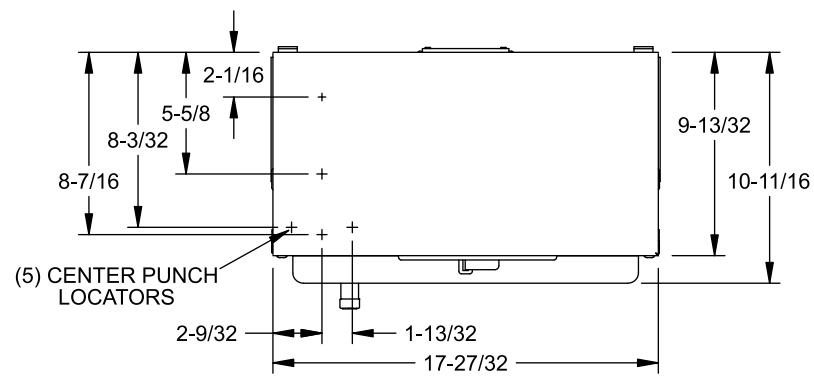


Catalog Numbers, Ratings and Features

Catalog No.	Meter Socket Cover	Main Bus, 1200A Max	Main Breaker		Max. 1" Breaker Positions	Max. Circuits	Jaws
			Amps Max.	Catalog Number			
WCL2442B3T1RJ	RINGLESS	3 Phase	225	HFD63B225	24	42	7

- Type 3R Outdoor Enclosure
- Main Bus Rating: 1200A Max.
- Meter Socket Rating: 200A Continuous
- 3 Phase Input, 3 Phase Output
- 208Y/120 Volts AC, 3 Phase, 4 Wire
- 240/120 Volts AC, 3 Phase, 4 Wire Delta
- 100K AIC Max. Short Circuit Current Rating
(See Wiring Diagram for Details)



Circuit Breakers

Use Siemens Branch Breaker Types:
 QP, QPH, HQP, QT, QAF, QAFH, QAF2, QAF2H, HQAF2, QPF, QPFH, QE, QEH, QNR, QNRH, HQNR

Additional Modules

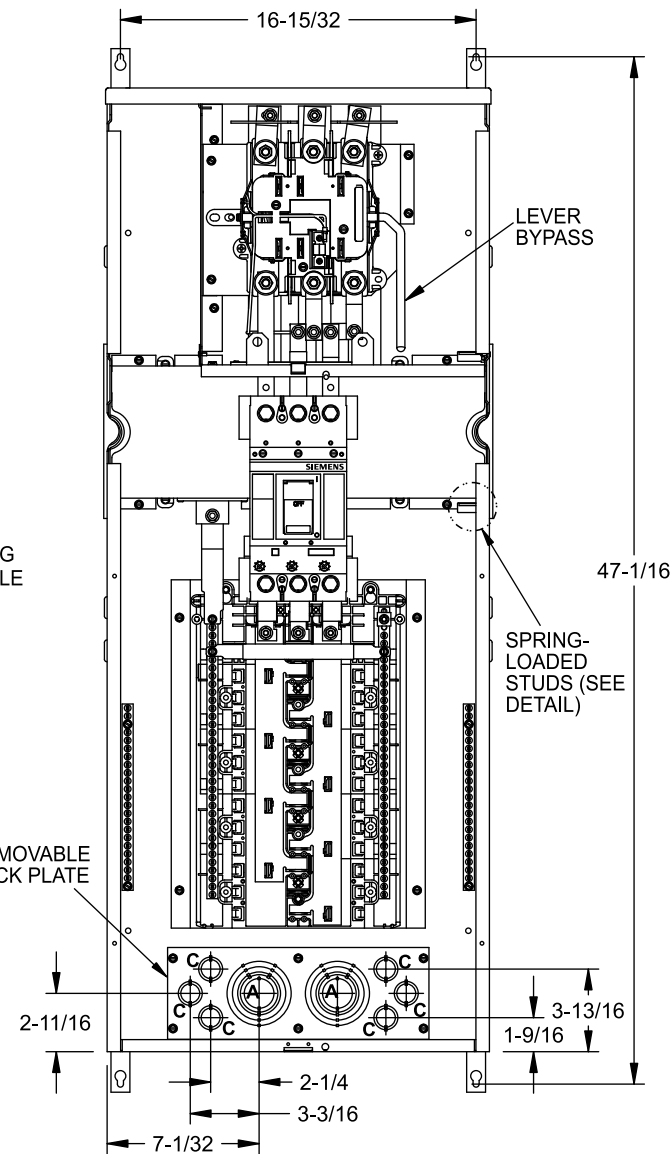
Connect Modules Using:
 QuickConnect Catalog No: QC4
 Torque: 400-440 lb-in (35-36 ft.-lb.)
 Single Bolt Joint Catalog No: SBJ4
 Torque: 400-480 lb-in (35-40 ft.-lb.)

Use with Module Siemens Series#
 Main Breakers (W)MC, WB, WEB, WXB
 Switches WMP, WMS, WS, WES
 Tap/Terminal Boxes WMTB, WTB, WET, WT_PU
 Pull Boxes WMMB
 Meter Module (W)MM, WxMM, (W)MT, (W)ML, (W)MK
 Meter Combinations WC, WCL, WCT
 Extension Box WMEX, WSP, WSPD
 Bussed Elbow BE

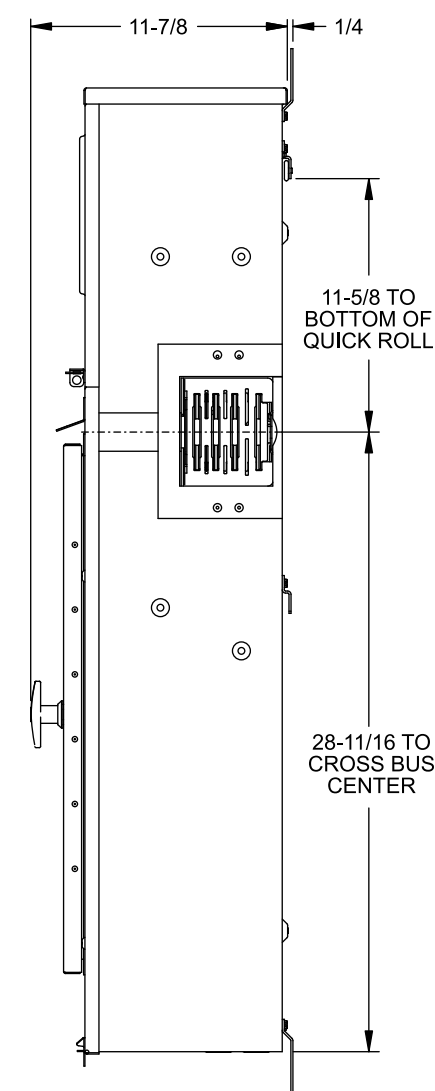
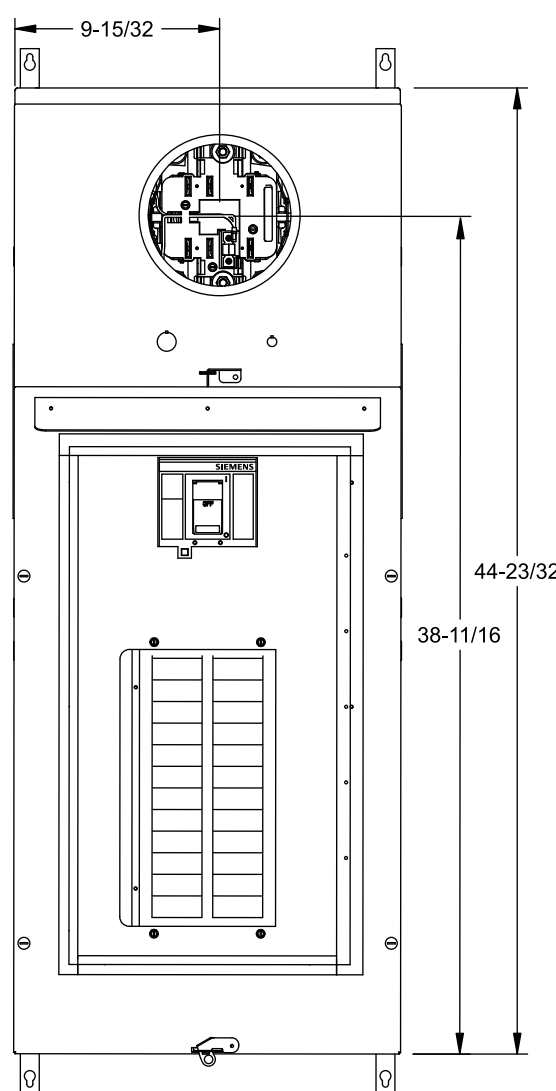
Accessories

Accessories	Cat. No.
1" Filler Plate	ECQF3
SubFeed Lug Kit	ECLK2125
SubFeed Lug Kit	ECLK2225
Neutral Lug Kit	ECLK1-2
Neutral Lug Kit	ECLK2
End Closure Plate	WMPE
Meter Cover Plate	ECCP3
Mounting Tabs (2)	ECMFATB
Back Rail/Clip	ECMFVLCCLIP
Mounting Rail	MMRAIL
Wall Mounting Rail (60")	MMZR60
Arc Flash Label	ECAFL

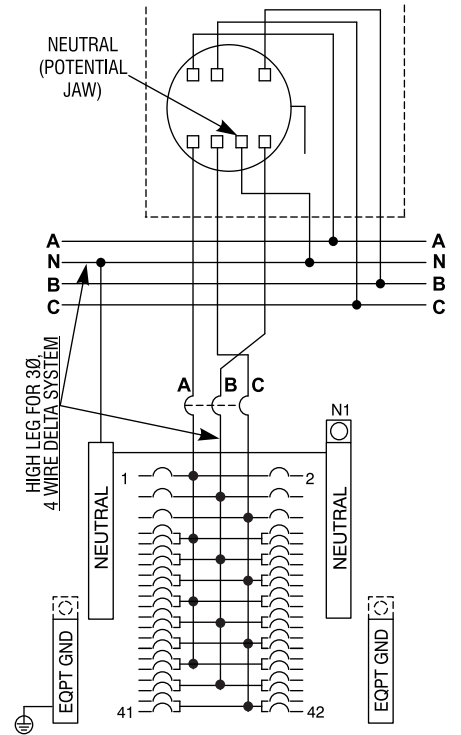
View Shown with Covers Removed



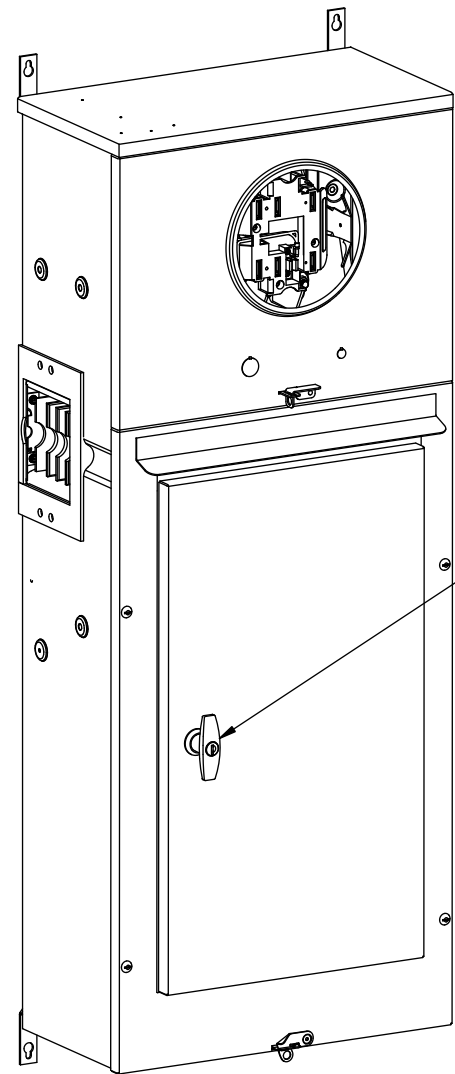
View Shown with Door Removed



Schematic



Terminal	Wire Size	Torque
N1	2/0 - #4 AWG	110 lb-in
Branch Breaker Terminals	See Markings on Breaker	
N1/Equip GND	#10 - #14 CU #10 - #12 AL #8 #6 - #4	20 lb-in 20 lb-in 25 lb-in 35 lb-in
Ground Conductors Only	(2) or (3) #14 AWG (2) #12-#10 AWG	20 lb-in 20 lb-in
Ground Bar/Neutral Lug Kits		
ECLK1-2	2/0 - #2 AWG	45 lb-in
ECLK2	2/0 - #4 AWG	135 lb-in

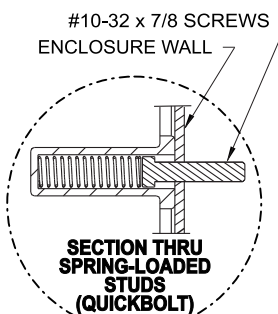


LOCKING T-HANDLE

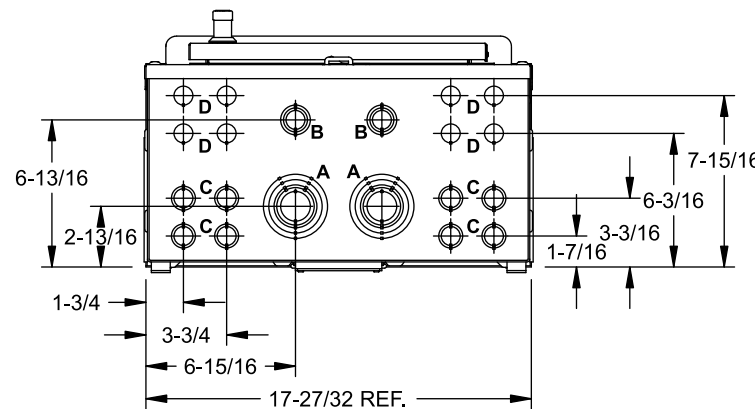
REMOVABLE BACK PLATE

LEVER BYPASS

SPRING-LOADED STUDS (SEE DETAIL)



Knockout Chart		
Designation	KO Size	Qty
A	2-1/2, 2, 1-1/2, 1-1/4, 1"	4
B	1, 3/4, 1/2"	2
C	3/4, 1/2"	14
D	1/2"	8



WCL2442B3T1RJ Shown

© 2013 Copyright Siemens Industry, Inc.

SIEMENS
Siemens Industry, Inc.

PowerMod™ Modular Metering

Catalog Numbers: **3in-3out, Lever Bypass Socket with 24 Position 42 Circuit Panel**

Size B Dwg. No. **LBP_3-3_NB**