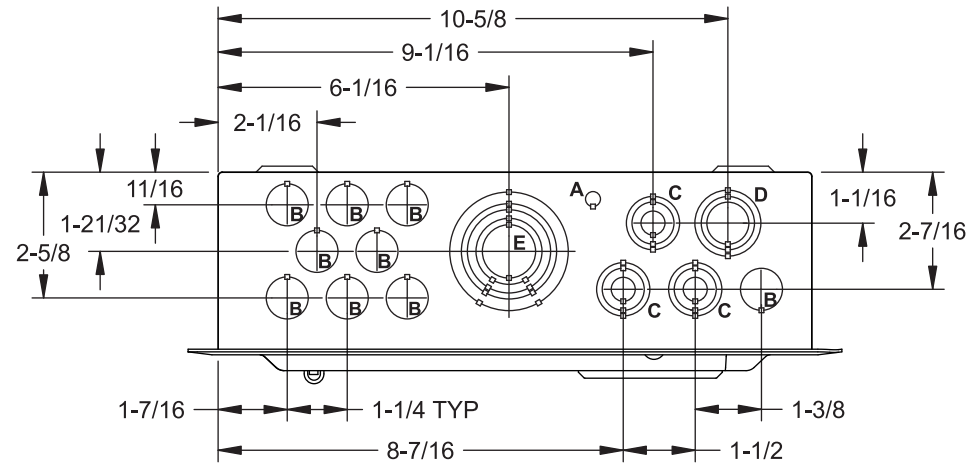


## Features and Ratings

- 125 Amps, 1 Phase, 3 Wire, 120/240V ~
- 8 - 1" Positions, 16 Circuits Max.
- Type N1 Indoor Enclosure
- Flush Trim
- Aluminum Bus Bars
- Ground Bar Factory Installed



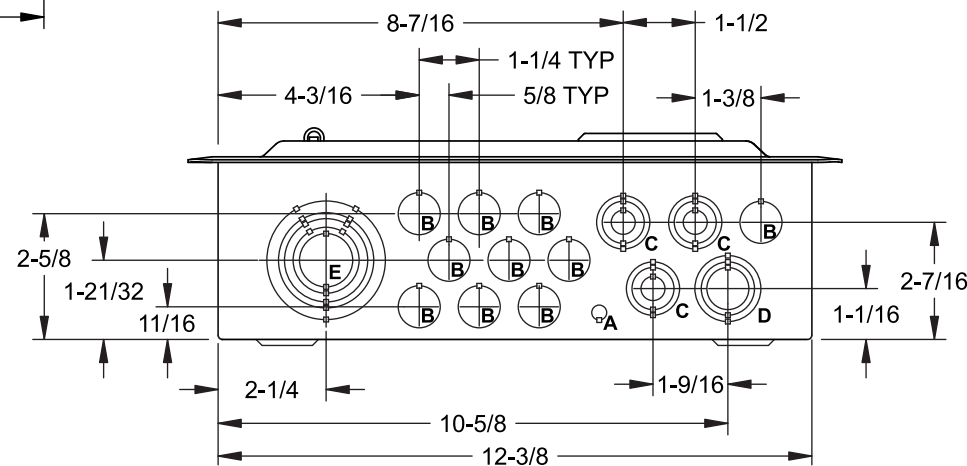
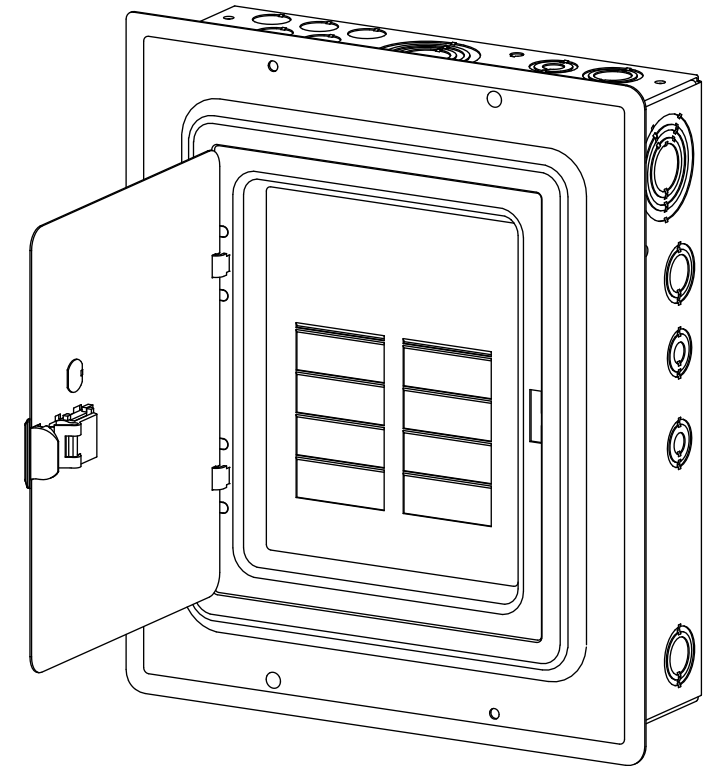
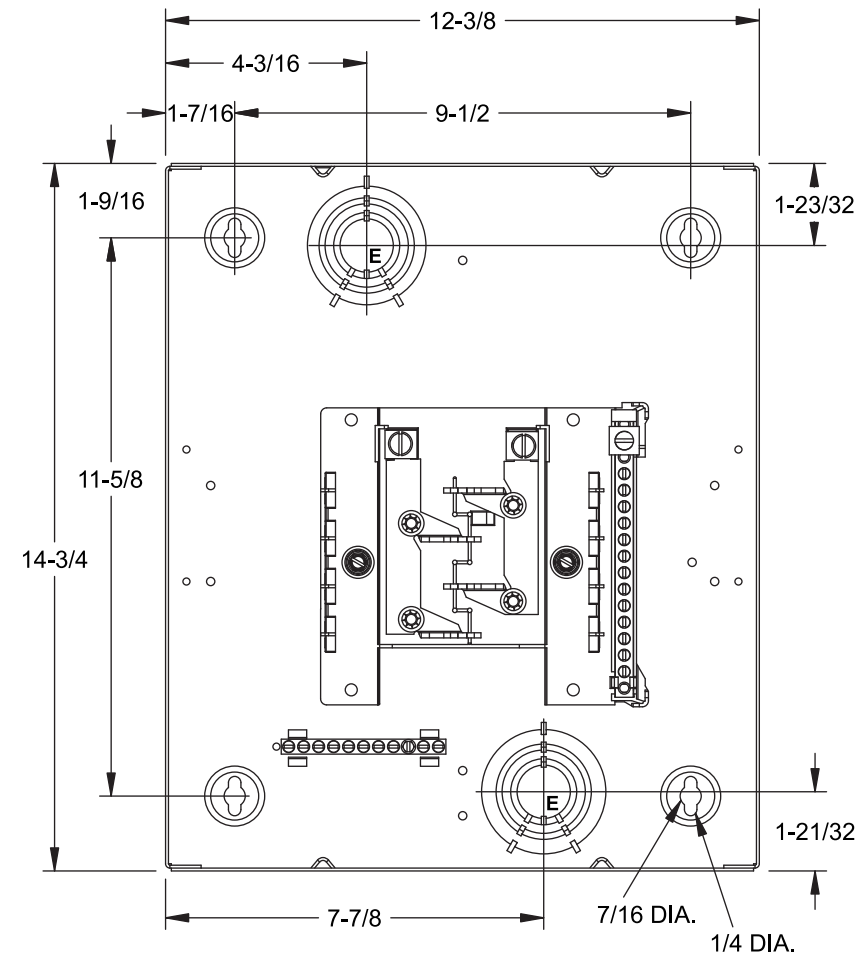
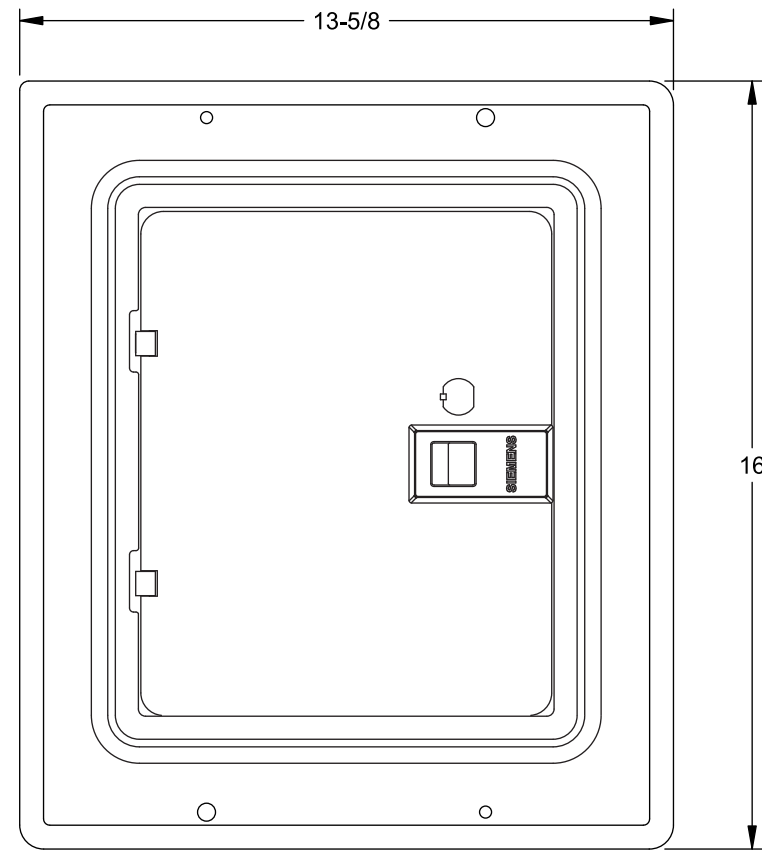
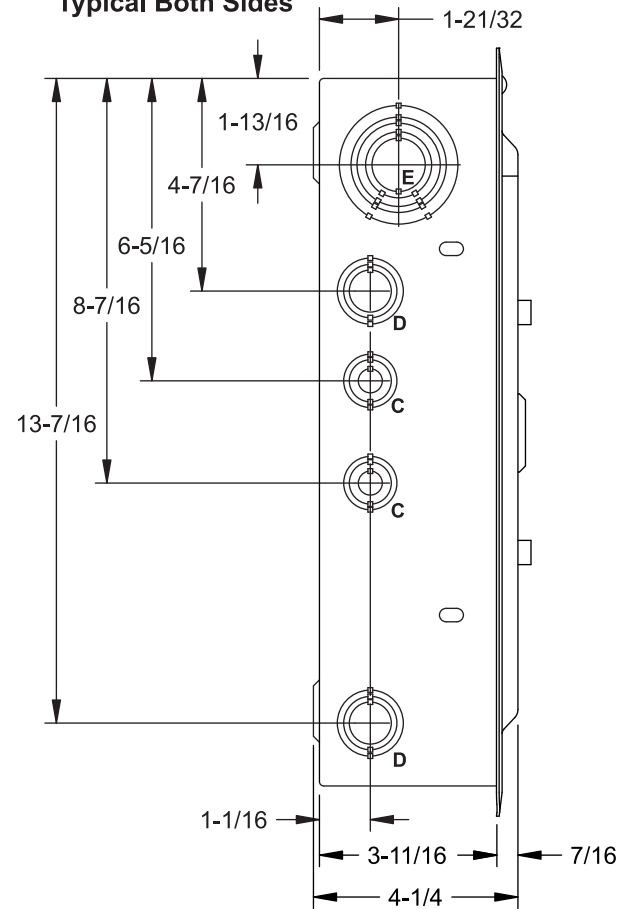
**E0816ML1125FGP**

## KNOCKOUT CHART

| KO Designation | Conduit Size                 |
|----------------|------------------------------|
| A              | KO Size = .313" DIA.         |
| B              | 1/2"                         |
| C              | 1/2", 3/4"                   |
| D              | 1/2", 3/4", 1"               |
| E              | 3/4", 1", 1-1/4", 1-1/2", 2" |

View Shown without Trim/Door

### Dimensions and KOs Typical Both Sides



© 2012 Copyright Siemens Industry, Inc.

**SIEMENS**  
Siemens Industry, Inc.

### Indoor Load Center

Description: **1 Phase, Flush Trim,  
8 Position, 16 Ckt, Main Lug Cut Sheet**

KAM 11/2/12 DO NOT SCALE DRAWING Dwg No: **E0816ML1125FGP**