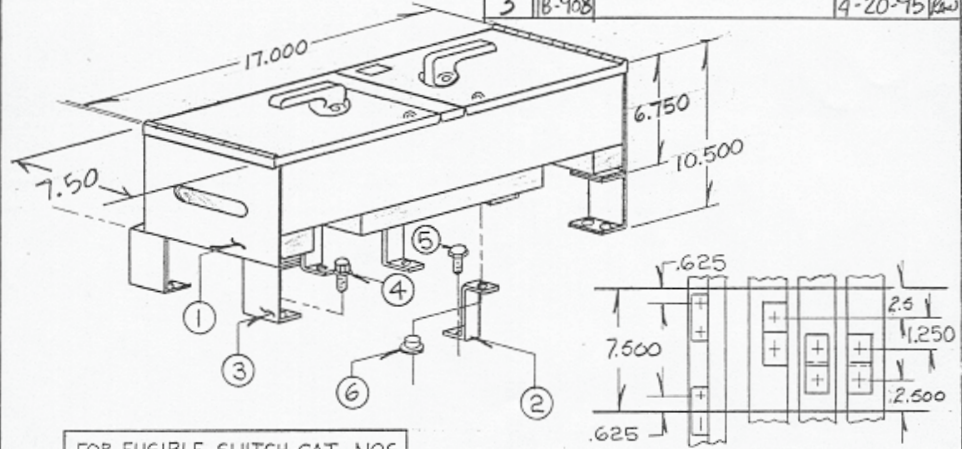


DWG NO. 11-B-2004-00  
 SHEET 1 OF 3  
 REV. 3  
 DATE 9-21-88  
 APVD SH

**TORQUE VALUES**

- ⑤ 50 IN.LBS. AL
- 72 IN.LBS. CU.

REVISIONS				
REV	C.N.	DESCRIPTION	DATE	BY
0	1A036		8-26-88	AS
1	1A06A	REMOVE 5" UNIT	2-10-89	AS
2	1A924	Added F1 in title	5-24-91	RA
3	1B-908		4-20-95	AW



FOR FUSIBLE SWITCH CAT. NOS.	
	7 1/2" UNITS
	V7E2223
	V7E2233
	V7E3223
	V7E3233
	V7E2611
	V7E2612

**NOTES:**

- 1). WHEN CONNECTING SWITCH BUS TO BRANCH BUS, A 5/16" INSERT IS REQUIRED IN ALUM. (ONLY) BRANCH BUS.
- 2). WHEN MULTIPLE UNITS ARE INSTALLED EACH MOUNTING BRACKET SUPPORTS ONE CORNER OF TWO (2) UNITS.

**⚠ DANGER**

Hazardous voltage. Will cause death or serious injury.

Keep out. Qualified personnel only. Disconnect and lock off all power before working on this equipment.

**CONFIDENTIAL - Property of Siemens Industry, Inc.**

UNLESS OTHERWISE SPECIFIED DIMENSIONS ARE IN INCHES. TOLERANCES ARE NON-CUMULATIVE AND ARE AS FOLLOWS UNLESS SPECIFIED OTHERWISE.

.xx ± .030  
 .xxx ± .015  
 ANGULAR ± 2°  
 DO NOT SCALE DRAWING

**Siemens Industry, Inc.**  
 Norcross, GA

**VACU-BREAK MOUNTING  
 F2 BRANCH BUS KIT  
 7.500" TWIN UNIT**

DWN L. PAGE	DATE 3-22-88	SIZE	FSCM NO.	DWG NO.	REV
CHK <i>R</i>	DATE 7-19-88	A		11-B-2004-00	3
APVD SH	DATE 9-21-88	SCALE NTS		SHEET 1 OF 3	

Apvd SH	ITEM	DESCRIPTION	PC. NO.	QTY.
5-12-95	1	FUSIBLE SWITCH	CAT. NO. *	1
	2	VACU-BREAK BRANCH BUS	11-7025-01	3
	3	VACU-BREAK MOUNTING BRACKET	11-6043-01	4
	4	1/4-20 X 3/8 SHHWSW	11-1553-02	8
	▲ 5	STRAP-BUS HARDWARE KIT	11-B-2022-05	1
	6			
	7	NEUTRAL LUG ASSEMBLY	12-B-2105-01	2
	8			
	9	INSTRUCTION SHEET	31-1240-01	1
	10	CARTON LABEL	15-A-1027-01	1
	11	CARTON	48000989	1
	12			
	13			
	14			
	15			
	16			
	17			
	18			
	19			
	20			
	21			
	22			
	23			
	24			
	25			
	26			
	27			
	28			
	29			
	30			
	31			
	32			
	33			
	34			
	35			
	36	* 7 1/2" UNITS—FOR FUSIBLE SWITCH CAT NOS.:		
	37	V7E2223, V7E2233, V7E3223, V7E3233, V7E2611		
	38	V7E2612, V7E2622, V7E2633, V7E3611, V7E3612		
	39	V7E3622, V7E3623, V7E3633		
	40			
	41			
	42			
	43			
	44	MERCHANDISE KIT ND. F657D		
Confidential - property of Siemens Industry, Inc. Norcross, GA		<b>VACU-BREAK MOUNTING            COPPER BRANCH BUS F2</b>	<b>11-B-2004-03</b> Dwg No.	<b>4</b> Rev.
		Title	Sht. 1 Of 1	Rev.

Revisions 0: 1B-908 4:1E-166B 12-11-09  
 1:1C-831A 04-12-04  
 2:1C-831B 07-24-06  
 3:1E-053A 1-10-07

FOR USE WITH 5" AND 7.5" HIGH TWIN UNITS (30, 60, 100A)  
 MOUNTED IN SPP/FPP/S5/F2/P5 PANELBOARDS (DEEP BOX).