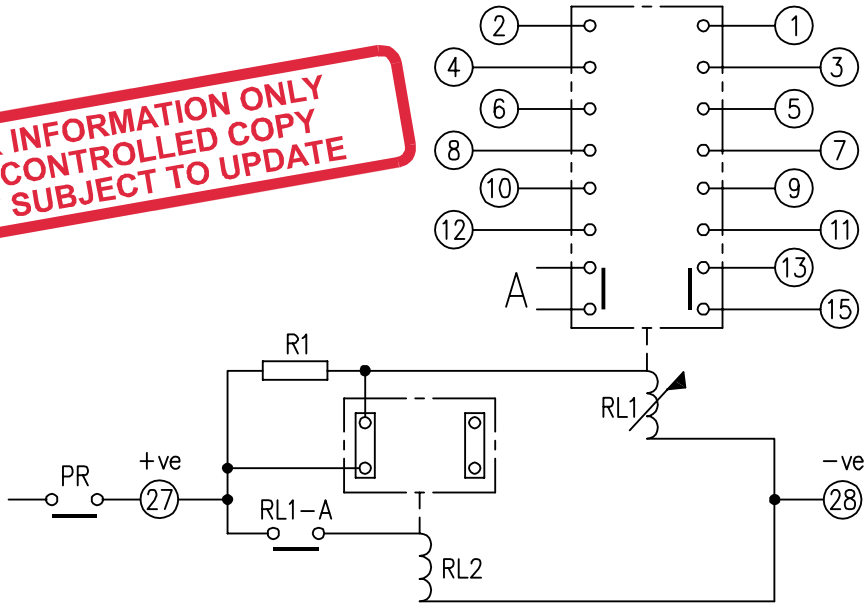


2112W50001

LOOKING ON FRONT OF RELAY

FOR INFORMATION ONLY  
UNCONTROLLED COPY  
NOT SUBJECT TO UPDATE



PRINTED ON 15/11/2005  
ENSURE CORRECT REVISION  
DESTROY AFTER USE

R1	2X180R in para 2102C45181	2X68R in ser. 2102C45680	2X820R in para 2102C45821	2X1K0 in para 2102C45102	2X3K9 in para 2102C45392	2X3K9 in ser. 2102C45392
Vdc	24	30	48	60	125	240

KEY	CONTACT CONFIG.	OUTPUT CONTACT PAIR/TERMINAL No.							
		1-3	2-4	5-7	6-8	9-11	10-12	13-15	
make contact	7M	M	M	M	M	M	M	M	
break contact	6M 1B	M	B	M	M	M	M	M	
c/o contact	5M 2B	B	B	M	M	M	M	M	
ext. conn	4M 3B	B	B	M	B	M	M	M	
plug bridge - shorting	3M 4B	B	B	B	B	M	M	M	
metering point	2M 5B	B	B	B	B	M	B	M	
5Kv barrier	1M 6B	B	B	B	B	B	B	M	
test socket - shorting									
plug & socket									

**NOTE:**  
1. CONTACT CONFIGURATION ABOVE IS REQUIRED FOR RELAY OPERATION. FOR DETAILS OF VARIABLE CONTACT OPTIONS SEE TABLE OPPOSITE.

FRAME REFERENCE: E4FE02.

FRAME TERMINAL BLOCK ASSY: -

ASSEMBLY INSTRUCTIONS: -

TYPICAL ASSEMBLY DRAWING 2995G10032.

AT INDICATED POSITIONS FIT AS FOLLOWS:

T - FIT TRIP ISOLATION CONTACT 2995B10053

S - FIT STANDARD CONTACT 2995B10054

SECURE CONTACTS USING FIXING SCREW

2109F99009.

POSITIONS SHOWN BLANK ARE UNUSED

2	T	T	1
4	T	T	3
6	T	T	5
8	T	T	7
10	T	T	9
12	T	T	11
14		T	13
16		T	15
18			17
20			19
22			21
24			23
26			25
28	S	S	27

VIEW FROM NUMBERED SIDE OF BLOCK

OUTER TERMINAL BLOCK ASSY: -

ASSEMBLY INSTRUCTIONS: -

TYPICAL ASSEMBLY DRAWING 2995G10029.

AT INDICATED POSITIONS FIT AS FOLLOWS:

S - FIT STANDARD CONTACT 2995B10051

HC - FIT 'HEAVY CURRENT' KIT 2995G10030

WHERE IS SHOWN FIT CT SHORTING

KIT 2995G10031

POSITIONS SHOWN BLANK ARE UNUSED.

ALL POSITIONS FIT SCREW 2106F12506.

2	S	S	1
4	S	S	3
6	S	S	5
8	S	S	7
10	S	S	9
12	S	S	11
14		S	13
16		S	15
18			17
20			19
22			21
24			23
26			25
28	S	S	27

VIEW FROM INSIDE FACE

2 RDW	11/11/05	MN112/2744	Title. T.B. AND WIRING DIAG. FOR TR112-7 RELAYS IN EPSILON E4 CASE.	First used on:	
	1	13/04/99		13/04/99	Similar Articles:
	ISSUE	DATE		MOD.No.	Supersedes:
<b>Reyrolle Protection Hebburn.</b>			Original Scale.	Drg.No. <span style="font-size: 2em;">2112W50001</span>	
DRAWN: A.LAW.	CHECKED:	APPROVED: R.D.WATSON	DATE: 16/07/02	Copyright © 1998 Reyrolle Ltd.	