

Scan
QR code
for more
information



CREATE AN INTELLIGENT HABITAT

Optimize your power with the **Inhab™ Load Manager**

[siemens.ca/loadmanager-EN](https://www.siemens.ca/loadmanager-EN)

**Adding an electric vehicle charger to your home, but worried
if you have enough electrical capacity to install it?**

The Inhab Load Manager lets you safely charge your electric car without costly utility service or electrical upgrades to your home, without sacrificing charging speed. The Inhab Load Manager measures your home's energy usage and will pause charging your car when there is not enough power available, resuming as soon as it is safe.

SIEMENS

Inhab Load Manager

Key benefits



Cost savings

Depending on your home's current electrical configuration, it could cost anywhere from \$3,000-\$20,000 to upgrade your utility service and electrical panel to add an EV or any other large load to your existing electrical panel. The Inhab Load Manager can help you avoid some of these costs.



Feel safe at home

The Inhab Load Manager allows added capacity for an EV charger, preventing the need for an upgrade. This helps to prevent dangerous system overload, keeping your family and home safe.

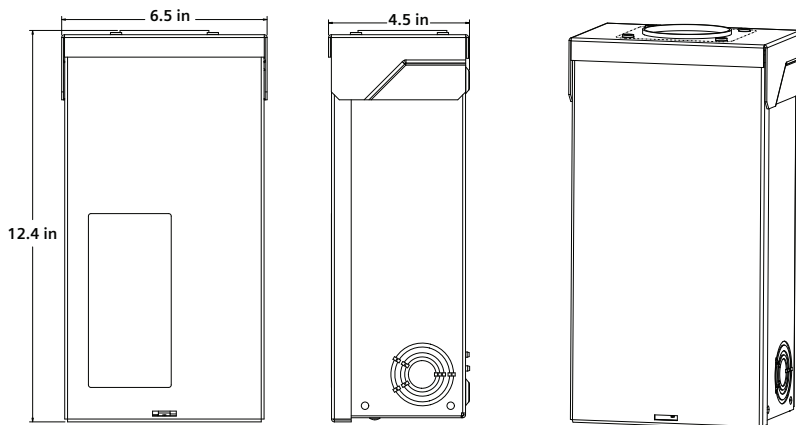


Easy installation

The Inhab Load Manager takes very little space and is compatible with any electric vehicle charger on the market, not just Siemens. This product can also be used for other technologies than just EV chargers, such as washers, dryers, hot tubs, and more.



Dimensions of Inhab Load Manager



[siemens.ca/loadmanager-EN](https://www.siemens.ca/loadmanager-EN)

Customer Interaction Centre: 1-888-303-3353

The Siemens Inhab Load Manager is certified under cUL and categorized as an Energy Management Equipment. It monitors energy usage at the service conductors and sheds the connected load to keep your home operating within its electrical service limit. With the Inhab Load Manager, the home's load calculation is not affected by the additional electrical load which helps minimize the need for costly utility and/or panel upgrades.

This product is compatible with any 100-225A loadcentre or meter combo, for any non-critical load that requires a two-pole circuit breaker up to 60A.

Catalog Number	Description
LM1160	Load Manager N3R GRY

Warranty: Standard Warranty

Looking for residential EVSE solutions?

Siemens has the experience, products, and personnel to suit all of your EVSE needs. Consider installing the Inhab Load Manager with our selection of residential electric vehicle charging solutions.

Learn more about Siemens VersiCharge EVSE solutions by visiting:

[siemens.ca/loadmanager-EN](https://www.siemens.ca/loadmanager-EN)



**Published by
Siemens Canada Limited**

Electrical Products
1577 North Service Road East
Oakville, Ontario L6H 0H6
Canada

Customer Interaction Centre:

+1-888-303-3353
cic.ca@siemens.com

Order No. SIEPC-B13-CAEN
© 09.2024, Siemens Canada Limited

This document contains a general description of available technical options only, and its effectiveness will be subject to specific variables including field conditions and project parameters. Siemens does not make representations, warranties, or assurances as to the accuracy or completeness of the content contained herein. Siemens reserves the right to modify the technology and product specifications in its sole discretion without advance notice.