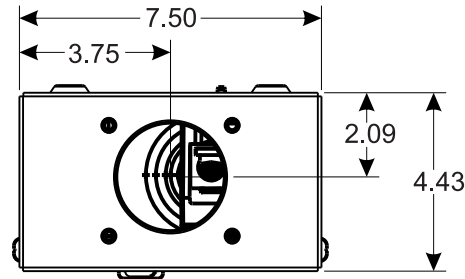


Catalog Number: QR2N3R2
WB2225BQR, WB2200BQR, WB2150BQR

Features and Ratings

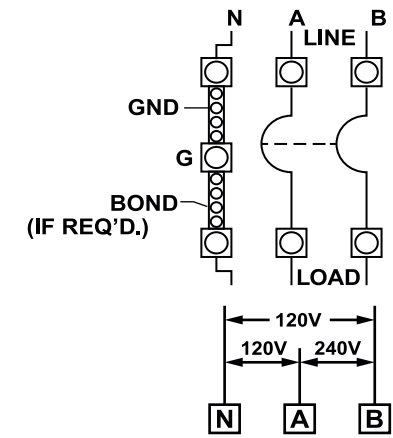
- Molded Case Circuit Breaker Enclosure
- 1 Phase, 3 Wire, 120/240V ~
- NEMA Type 3R Enclosure
- Use Copper Or Aluminum Wire
- Use with Type QR Breakers



Accessories

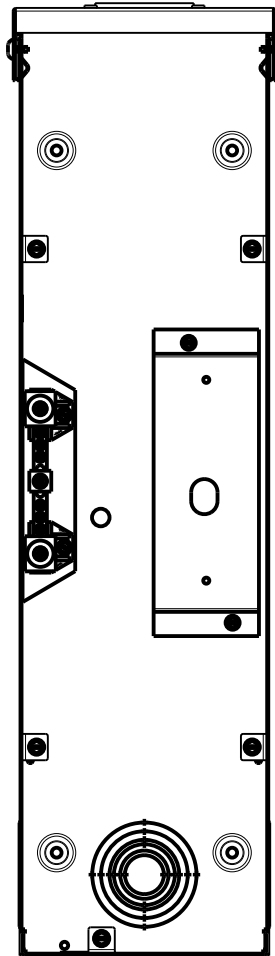
TYPE HS HUBS	
Trade size (in)	Catalog number
1 1/4"	.ECHS125
1 1/2"	.ECHS150
2"	.ECHS200
2 1/2"	.ECHS250

Schematic, Torques & Wire Sizes

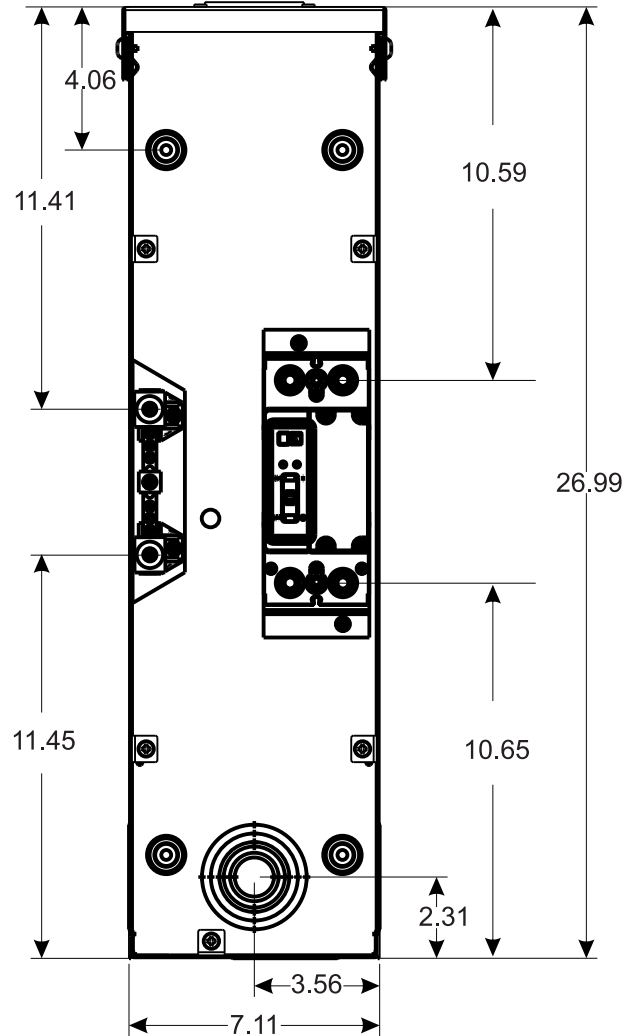


- Ground Bar Wire Size**
 Copper: (1) 14 – 4 AWG, (2-3) 14 – 10 AWG
 Aluminum: (1) 12 – 4 AWG, (2-3) 12 – 10 AWG
- Neutral Bar Wire Size**
- | | |
|----------------|-------------------|
| Wire Size | Tightening Torque |
| 14 – 10 AWG CU | 20 lb-ins. |
| 12 – 10 AWG AL | 20 lb-ins. |
| 8 AWG CU/AL | 25 lb-ins. |
| 6 AWG CU/AL | 35 lb-ins. |
| 4 AWG CU/AL | 45 lb-ins. |

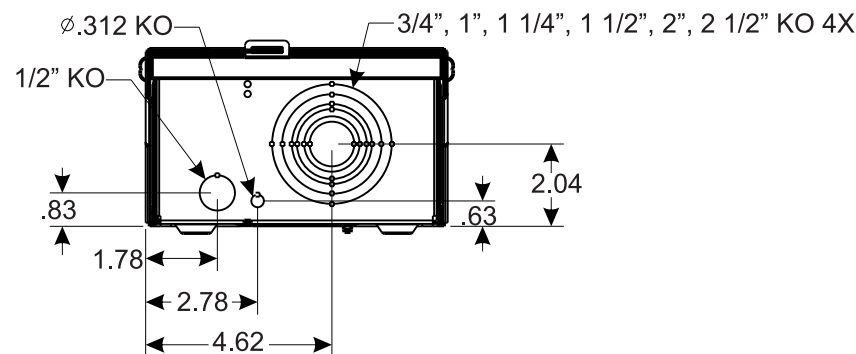
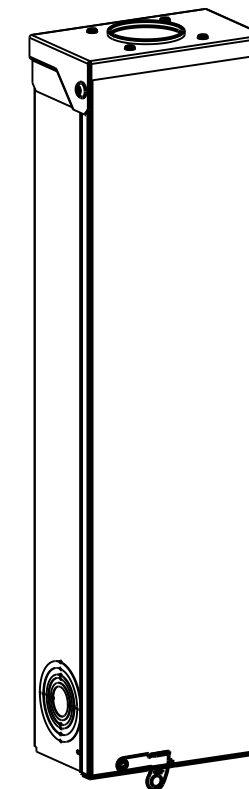
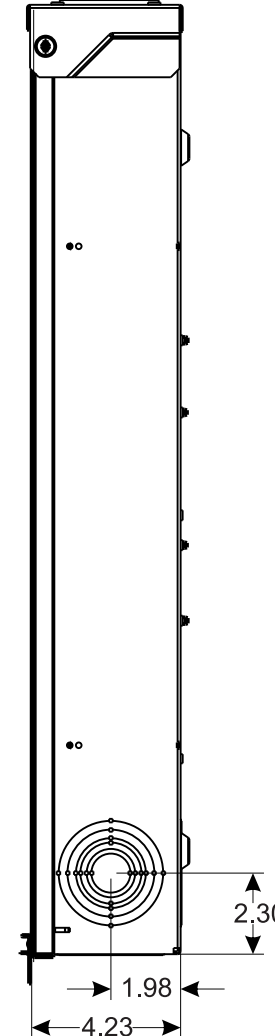
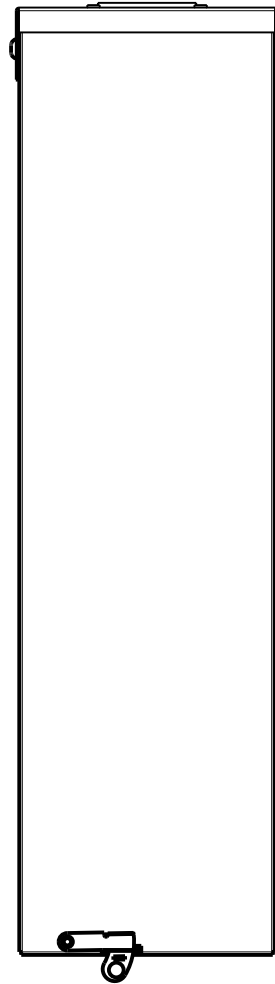
Ground Bar Catalog Number: ECGB5



Catalog Number Shown
QR2N3R2



Catalog Numbers Shown
 WB2225BQR
 WB2200BQR
 WB2150BQR



2017 Copyright Siemens Industry, Inc.

SIEMENS

BREAKER ENCLOSURE

Description:
225A, TYPE 3R, SURFACE, 120/240V~

NH 20SEP17 DO NOT SCALE DRAWING Dwg. No. **WB2225BQR**