

SIEMENS

Indoor Main Feed-Thru Module

Catalog Number

Enclosure

BFT11200B

Type 1

BFT11200BU

Module Rating: 1200 Amps, Max. See main breaker for actual rating.
Main Bus Rating: 1200 Amps, Max.
Main Horizontal Bus Rating: 1200 Amps, Max.
Breaker Rating: 1200A Max.
 120/240 Volts~, 1 Phase, 3 Wire
 208Y/120 Volts~, 1 Phase, 3 Wire (from 3 Phase, 4 Wire network)

For installation by Qualified Person in accordance with all local electrical codes and/or the National Electrical Code ©

Circuit breaker trip position is indicated by handle position midway between ON and OFF. To reset, move handle to OFF position, then turn ON.

Suitable Only For Use As Service Equipment unless bond strap is removed. See schematic. Apply appropriate label provided next to breaker handle.

For underground service only.

Use 75°C Copper or Aluminum Conductors.

Terminals A, B, and N: See Lug Chart on adjacent diagram for applicable lug kits, wire size and torque information.

Equip Ground Acc'y, Cat. No. ECLX072M

Small Terminals		Large Terminals	
Wire Range	Torque	Wire Range	Torque
10-14 AWG	.. 20 lb-in	10-14 AWG	.. 35 lb-in
8 AWG 25 lb-in	8 AWG 40 lb-in
6 AWG 35 lb-in	1/0-6 AWG	.. 45 lb-in

Ground Terminal G
 (Accessory Cat.# ECMLK3225):
 Wire size #4-300 kcmil.
 Torque terminal to 250 lb.-in.

Accessory:
 ECMMGBE - Ground Bus Extension

Important: Do not allow petroleum based (hydrocarbon) sprays, chemicals, solvents or any paint to contact interior components. Petroleum based chemicals can cause degradation of electrical insulating materials.

Siemens Industry, Inc. Norcross, Georgia U.S.A. **DH1** 409015620101 Rev.00

© The National Electrical Code is a registered trademark of the National Fire Protection Association.
 © 2017 Copyright Siemens Industry, Inc.

SIEMENS

Lugs for Phase and Neutral Connections (not supplied)

Lug No. ①	MFG	Wire Range	Type	No. Wires per phase	Torque (lb.-in.)
LK13750N2	Siemens	300-750 kcmil	Mechanical	3	500 ②
LK14500N2	Siemens	1/0-600 kcmil	Mechanical	4	500
LK15600N2	Siemens	1/0-600 kcmil	Mechanical	5	500
LK15750N2	Siemens	300-750 kcmil	Mechanical	5	500
LK16750N2	Siemens	300-750 kcmil	Mechanical	6	500
LK18500N2CD	Siemens	300-500 kcmil Copper	Mechanical	8	500
LK18750N2AD	Siemens	300-750 kcmil Aluminum	Mechanical	8	500
2ACL-500	ILSCO	500 kcmil	Compression	4	NA ③
2ACL-750	ILSCO	750 kcmil	Compression	3	NA ③
2ACL-600	ILSCO	500 kcmil	Compression	5	NA ③
2ACL-750	ILSCO	750 kcmil	Compression	5	NA ③
2ACL-750	ILSCO	750 kcmil	Compression	6	NA ③

① Order one mechanical lug kit for mains and neutral. Additional lug kit is required for feed-thru terminals. Contact lug manufacturer for compression lug quantities supplied for each kit.

② Kit contains more than one lug type.

③ See lug manufacturer's instruction sheet supplied with the connector for tool, die, and number of crimps.

Short Circuit Current Rating

This device has a maximum short circuit current rating of 100,000 Amps RMS symmetrical at 240 Volts~. The actual short circuit current rating is limited to the interrupting rating of the circuit breaker installed. Replacement breakers must be manufactured by Siemens and must be of the correct type and rating as indicated in the table below. Use of other circuit breakers in this device will void the warranty.

Breaker Type	Rating
PXD6	65k AIC
HPXD6	100k AIC

USE ONLY NON-INTERCHANGEABLE TRIP BREAKER TYPES

Connect Modules Using: **Cat. No.** **Torque**
 Quick Connect QC1 400-440 lb-in (35-36 ft.-lb.)

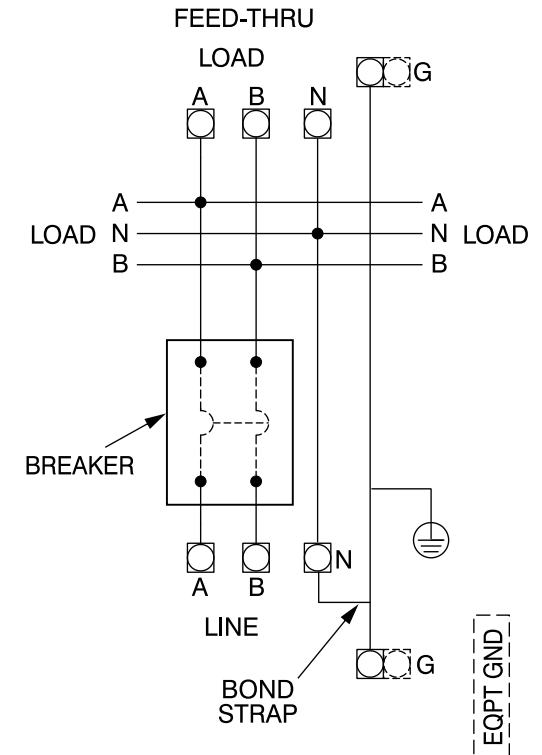
IMPORTANT - for use with:

Module **Siemens Series#**
 Main Breakers (W)MC, WB, WEB, WXB, BFT
 Switches WMP, WMS, WS, WES, WXS
 Tap/Terminal Boxes ... WMTB, WTB, WET, WT_PU, WTBN, WBT
 Pull Boxes WMMB
 Meter Module (W)MM, WxMM, (W)MT, (W)ML, (W)MK, (W)MLZ(F)
 Meter Combinations... WC, WCL, WCT
 Extension Box WMEX, WSP, WSPD
 Bussed Elbow BE, WELB

Siemens Industry, Inc. Norcross, Georgia U.S.A. **DH1** 409015620201 Rev.00

© 2017 Copyright Siemens Industry, Inc.

SIEMENS



Siemens Industry, Inc. Norcross, Georgia U.S.A. **DH1** 409015620301 Rev.00

© 2017 Copyright Siemens Industry, Inc.