



REVISION	DATE	BY	DATE	BY
		DRAWN	11/05/27	MC
		CHEK'D		
		VERIF'D		

CUSTOMER	
ORDER NO.	DWG. NO.
	1D1Y100BTP1
	SH 1 OF 2

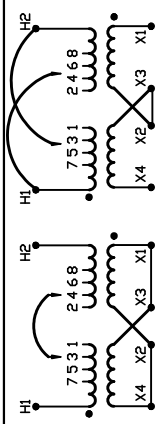
Siemens Industry, Inc.

SIEMENS

CATALOG NO. 1D1Y100BTP1
 SERIAL NO. SERIES H
 100 kVA 60 Hz 1 PHASE
 6.1 % IMP AT 100 °C
 80 °C RISE 30 °C AVG. AMBIENT
 220 °C TEMP CLASS 40 °C MAX. AMBIENT
 PRIMARY (H1 H2) 240X480V V
 SECONDARY(X4 X2 X3 X1) 120/240V V
 WINDING MATERIAL AL
 ENCLOSURE TYPE NEMA -3R
 WEIGHT 1050 LBS

SPACINGS BETWEEN ENCLOSURE AND ANY ADJACENT WALL SHALL BE A MINIMUM OF 5 INCHES
 MEETS NEMA TP-1 EFFICIENCY REQUIREMENT
 LISTED DISTRIBUTION TRANSFORMER 77US
 TYPE F
 E112313 LR 3902

 SUITABLE FOR INDOOR OR OUTDOOR LOCATIONS
 DO NOT INSTALL IN AREAS ACCESSIBLE TO PUBLIC
 NE PAS INSTALLER DANS DES ENDROITS ACCESSIBLES AU PUBLIC
 FOR INSTALLATION SEE INSTRUCTION MANUAL

NEMA Class ANN Dry Type Transformer Siemens Industry, Inc. Norcross, GA



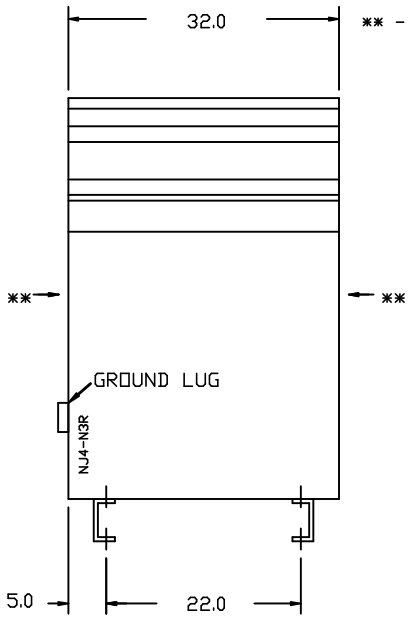
VOLTS	CONNECT
504	1-2
492	2-3
480	3-4
468	4-5
456	5-6
444	6-7
432	7-8
252	H2-1, H1-2
240	H2-3, H1-4
228	H2-5, H1-6
216	H2-7, H1-8

VOLTS	CONNECT	OUTPUT LINE
120	X1-X3, X2-X4	X1-X4
240	X2-X3	X1-X4
240/120	X2-X3	X1-X2-X4

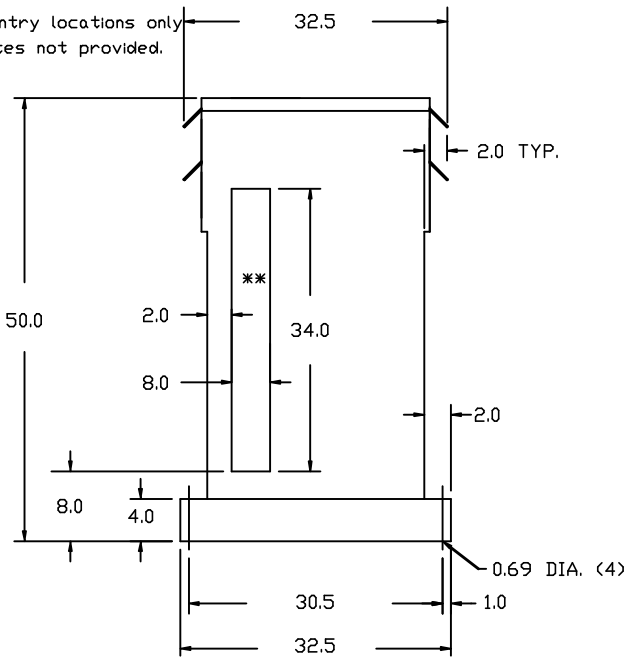


FRONT VIEW

SIDE VIEW



** - Recommended cable entry locations only
cutouts & gland plates not provided.



All Dimensions in inches

ENCLOSURE COLOR ANSI 61 GREY - OUTDOOR

CUSTOMER NOTES:
FOR DETAILS SEE DWG B1D1Y100BTP1

Siemens Industry, Inc.

REVISION	DATE	BY	DATE	BY
			11/05/27	MC

CUSTOMER	
ORDER NO.	DWG. NO. 1D1Y100BTP1
SH 2 OF 2	

04 root 2019/06/19 14:45