

SIEMENS

Ingenuity for life



BoltShield™ Surge Protective Devices

QSPD series for load centers
Base model ideal for large projects

usa.siemens.com/surge

Surge Protective Devices (SPDs) provide the best protection from both externally and internally generated surges when located as close to the building distribution system as possible. For cost and space reasons many buildings only include one SPD located at the main incoming load center and do not cascade SPDs throughout the building as recommended by IEEE. The new Siemens QSPD series of SPDs are economical and easy to install in most panels throughout a building so that whole facility protection can be obtained. The QSPD Base model is an additional option for applications that require minimal features, while offering quality surge protection. See the Siemens Boltshield web page and brochures for more information.

Features

- UL 1449 SPD Type 1*
- Monolithic distribution grade MOV
- Thermally protected MOV
- 35kA surge current protection per phase
- 20kA I-nominal ratings
- 22kA SCCR
- 3 year standard warranty

Product specifications

General specifications		
Maximum surge current rating range		35kA per phase
UL Type designation		SPD Type 1*
UL 1449 I-nominal rating		20kA
UL 1449 short circuit current rating		22kA
Repetitive impulse		5,000 hits
Response time		<1 ns

Physical specifications		
Humidity range		0-95% non-condensing
Operating frequency		0-415Hz
Operating temperature		-25°C to +60°C
Dimensions in inches (mm)	2 pole	3 (77.9) x 2 (50.4) x 2.6 (65.3)
Weight	2 pole	0.36 lbs (165 g)
Neutral/ground connection		#14 AWG (pre-wired)

Diagnostic monitoring specifications	Design specifications
Green/red visual mechanical flag failure indicators	Monolithic distribution grade MOV
	Integrated optimized thermal protection
	Fits in footprint of Siemens QP breaker
	Modes of protection (L-N or L-G, L-L)

*Type 1 SPDs suitable for use in Type 2 applications

UL 1449 performance data and ordering information

System voltage	L-N (L-G)	L-L	I _n	SCCR	MCOV	Catalog number	Siemens breaker form factor
120/240V, 1Ø, 3W*	700V	1200	20kA	22kA	150V	QSPD2A035B	2-P, QP

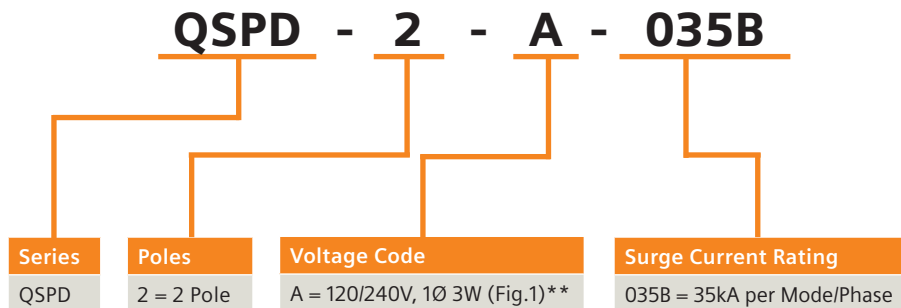
*Can also be used on 208Y/120V, 1Ø, 3W System.

Standards compliance and certifications

UL 1449 4th Edition, cUL, UL 96A compliant, ANSI/IEEE C62.41.1-2002, C62.41.2-2002, C62.45-2002, NEC Article 285

ISO 9001:2014 quality management system, ISO 17025:2007 laboratory certification (UL DAP Program) , 100% quality tested prior to shipping

QSPD-Base catalog number logic



**Can also be used on 208Y/120V, 1Ø, 3W System

National Electric Code (NEC)
 The 2020 NEC has added a new requirement for SPDs (Article 230.67) that requires all services supplying dwelling units be provided with a surge-protective device. This means every new home or apartment must have a Type 1 or 2 surge protective device installed integral or adjacent to the service equipment or installed immediately downstream at each next level distribution equipment. This new requirement also applies when service equipment is replaced. The Siemens BoltShield family of QSPD products allows this to be done easily and at a reasonable cost.

Benefits of installing multiple QSPDs

Adding multiple QSPDs in a single load center can increase the modes of protection and the surge capacity. See the Boltshield brochure for more details and review the example chart below:

Number of QSPDBs	Connection	Modes of Protection	Surge Current Capacity per Mode	Surge Current Capacity per Phase
1	Neutral	3	35 kA	35 kA
2	Neutral + Ground	6	35 kA	70 kA
2	Neutral	3	70 kA	70 kA
3	Neutral(2) + Ground(1)	6	70 kA(L-N) + 35 kA(L-G)	105 kA
3	Ground	3	105 kA	105 kA
4	Neutral(2) + Ground(2)	6	70 kA	140 kA

Wiring configurations

Split

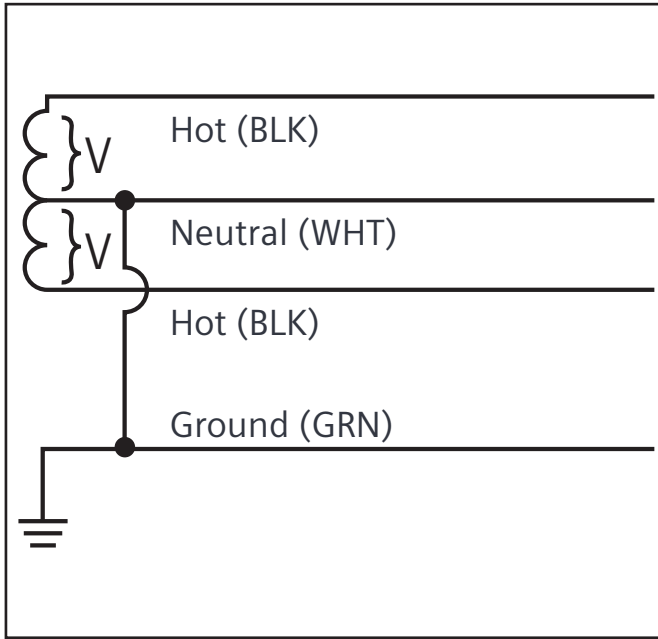
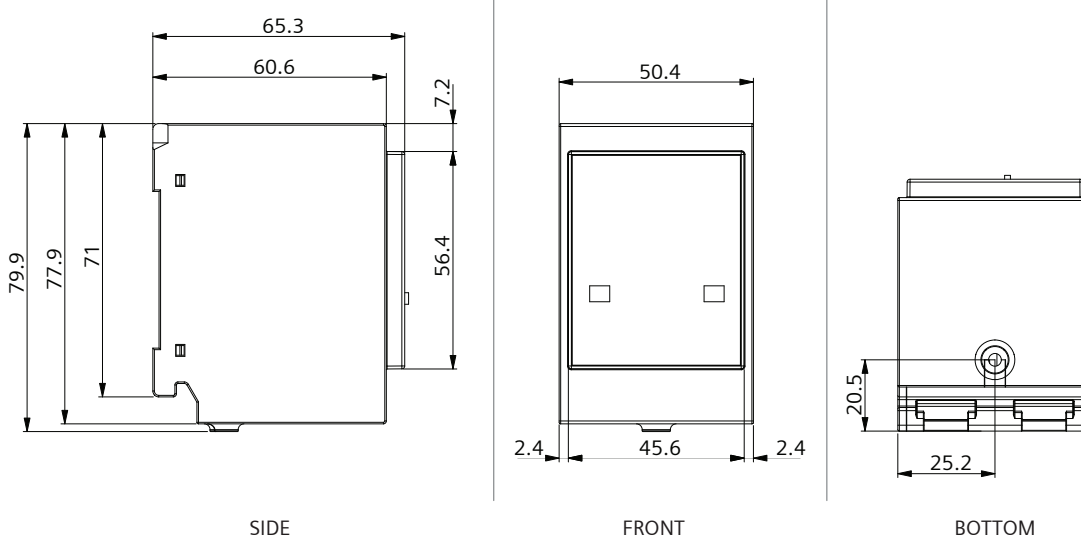


Figure 1
2 Hots, 1 Neu, 1 Grnd

Product diagram (in millimeters)

2-pole: QSPD2A035B



**Published by
Siemens 2020**

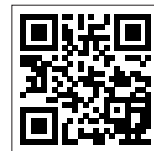
Siemens Industry, Inc.
5400 Triangle Parkway
Norcross, GA 30092

Siemens Technical Support: 1-800-333-7421
info.us@siemens.com

Printed in USA
Order No. RPF-L-QSPD2-0720
All Rights Reserved
© 2020, Siemens Industry, Inc.
usa.siemens.com/surge

The technical data presented in this document is based on an actual case or on as-designed parameters, and therefore should not be relied upon for any specific application and does not constitute a performance guarantee for any projects. Actual results are dependent on variable conditions. Accordingly, Siemens does not make representations, warranties, or assurances as to the accuracy, currency or completeness of the content contained herein. If requested, we will provide specific technical data or specifications with respect to any customer's particular applications. Our company is constantly involved in engineering and development. For that reason, we reserve the right to modify, at any time, the technology and product specifications contained herein.

Scan the QR code to go directly



usa.siemens.com/surge



Español / Français