

### Catalog Numbers

Catalog No.	Amperage Rating Max	Max Interrupting Rating
<b>1 PHASE, 3 WIRE, 120/240V AC MAX</b>		
WB12000B	2000	65,000
WB12000BU	2000	100,000

Catalog No.	Amperage Rating Max	Max Interrupting Rating
<b>3 PHASE, 4 WIRE, 240V AC MAX</b>		
WB32000B	2000	65,000
WB32000BU	2000	100,000

- FOR UNDERGROUND SERVICE ONLY
- TYPE 3R OUTDOOR ENCLOSURE
- MAIN BUS RATING: 1200A MAX. (1200A MAX FEED PER SIDE)

### Additional Modules, Accessories, and Lug Kits

FOR USE WITH:		
Module Description	Siemens Series#	Murray Series#
Main Breakers	(W)MC, WB, WEB	DB W
Switches	WMP, WMS, WS, WES	DPT W, DT W
Tap/Terminal Boxes	WMTB, WTB, WET	DTB_W
Meter Module	WMM, WxMM, WMT, WML, WMK	DG_W, DC_W, DL_W
Extension Box	WMEX, WSP	DS
Bussed Elbow	(W)BE	DL

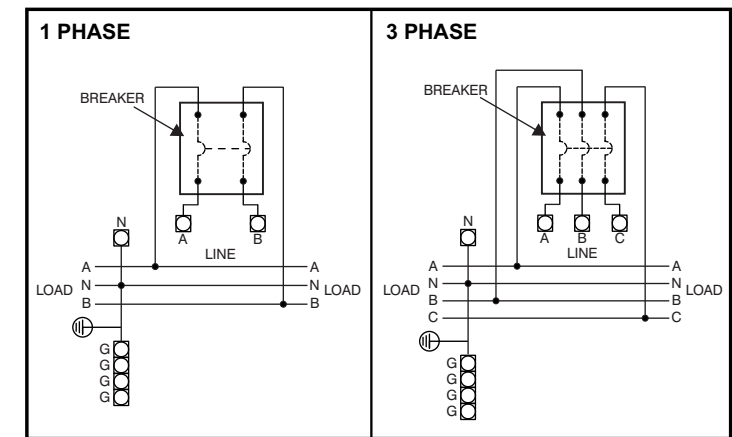
Connect Modules Using:	Catalog Number / Torque
QuickConnect	QC1 (1ph) or QC4 (3ph) 400-440 lb-in (35-36 ft.-lb.) Torque
Single Bolt Joint	SBJ1 (1ph) or SBJ4 (3ph) 400-480 lb-in (35-40 ft.-lb.) Torque

1 Phase: Lugs for Phase and Neutral Connections (not supplied)					
NEMA Lug ①	MFG	Wire Range	Type	No. Wires per phase	Torque (lb.-in.)
LK16750N2	Siemens	1/0-750 kcmil	Mechanical	6	500
2ACL-750	ILSCO	750 kcmil	Compression	6	NA ②

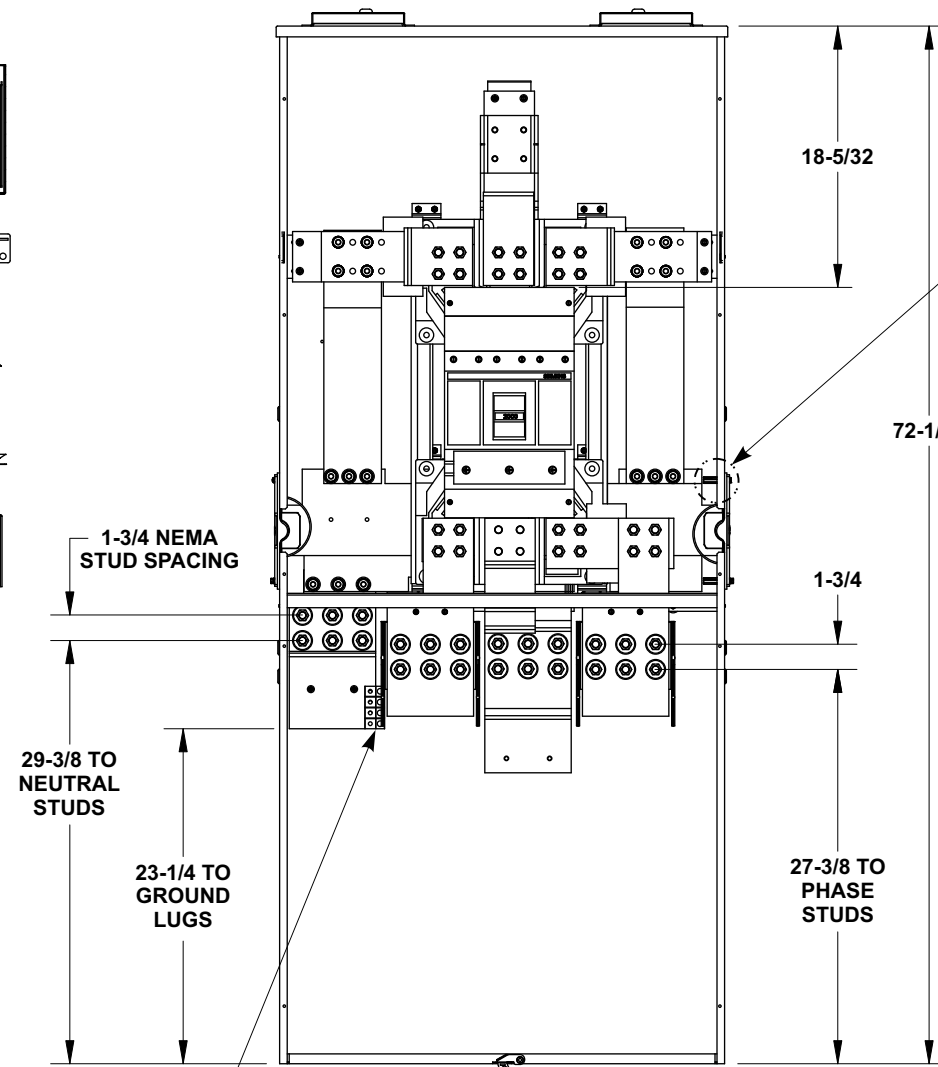
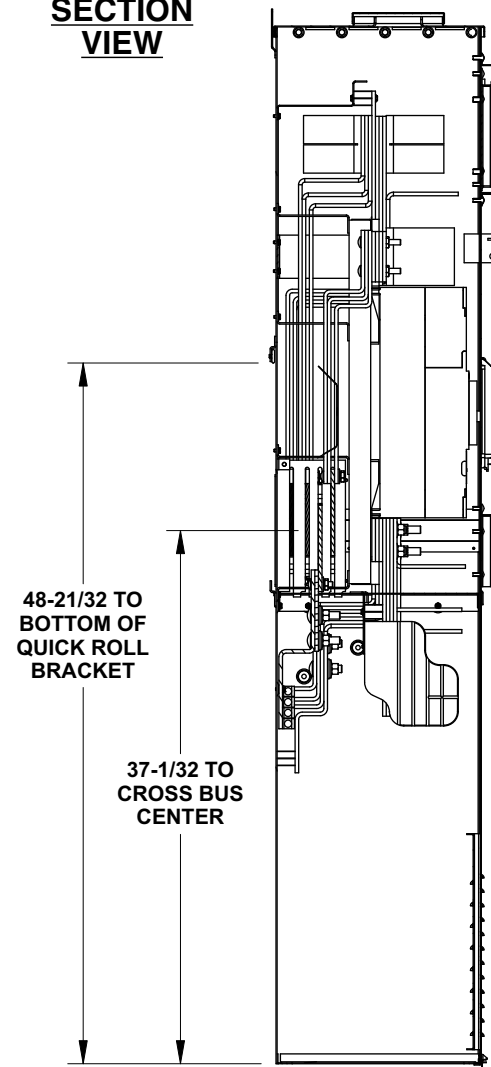
3 Phase: Lugs for Phase and Neutral Connections (not supplied)					
NEMA Lug ①	MFG	Wire Range	Type	No. Wires per phase	Torque (lb.-in.)
LK36750N2	Siemens	1/0-750 kcmil	Mechanical	6	500
2ACL-750	ILSCO	750 kcmil	Compression	6	NA ②

- ① Order one mechanical lug kit for main breaker and neutral conversions. Contact lug manufacturer for compression lug quantities supplied for each kit.
- ② See lug manufacturer's instruction sheet supplied with the connector for tool, die, and number of crimps.

### Schematics

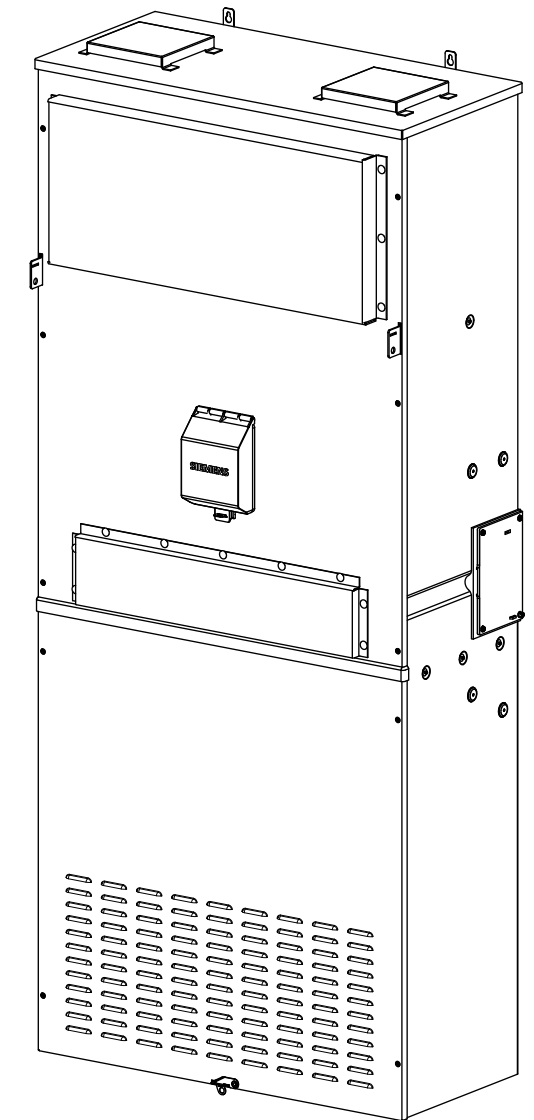
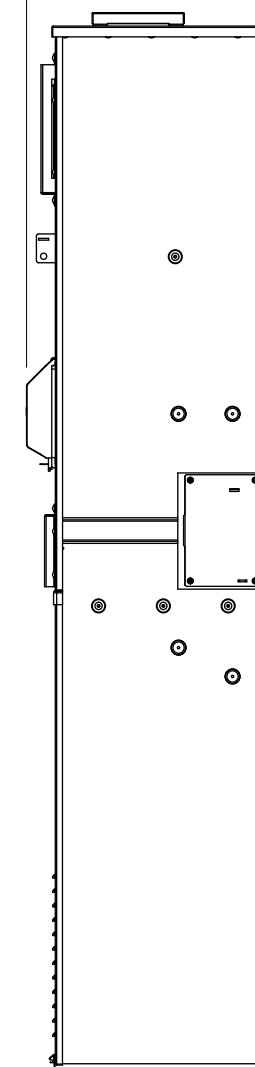


### SECTION VIEW

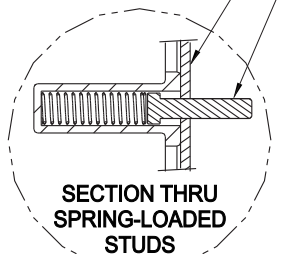


16-9/16

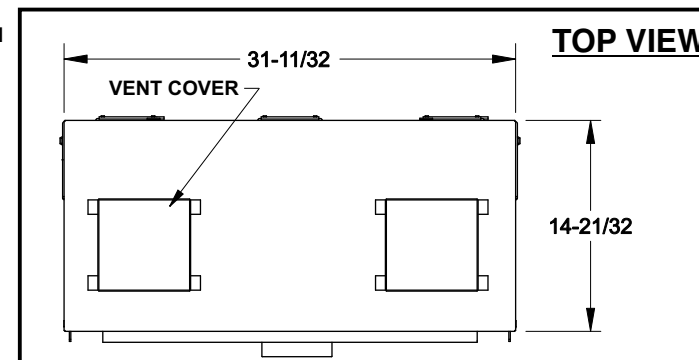
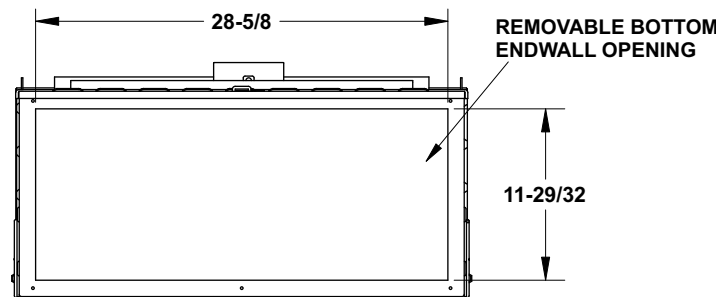
**WB32000B (3 Phase) SHOWN FRONT VIEW SHOWN WITHOUT COVER**



#10-32 x 7/8 SCREWS ENCLOSURE WALL



(4) #4-250 KCMIL GROUND LUGS



© 2010 Copyright Siemens Industry, Inc.

Siemens Industry, Inc.  
Building Technologies Division

### PowerMod™ Breaker Mains

Catalog Numbers: **WB12000B thru WB32000BU**  
**Service Entrance Breaker Mains**

Size B Dwg. No. **2000A\_B\_SE\_Brkr\_Mains**

Dwn KAM Date 1/27/10 DO NOT SCALE DRAWING SHEET 1 OF 1