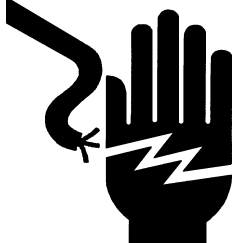


Installation Instructions

	⚠ DANGER
	<p>Hazardous voltage. Will cause death or serious injury.</p> <p>Turn power off supplying device before installing.</p>

⚠ SAFETY INSTRUCTIONS

NOTE: This instruction outlines the recommended installation procedure.

1. Turn power off supplying device before installing kits.
2. Position adaptor strap in fuse clip as shown in Fig. 1 and Fig. 2.
3. Insert special 5/16 - 18 hex head bolt through the fuse clip adaptor and secure the installation with the special 5/16 nut. Fig. 1 and 2.

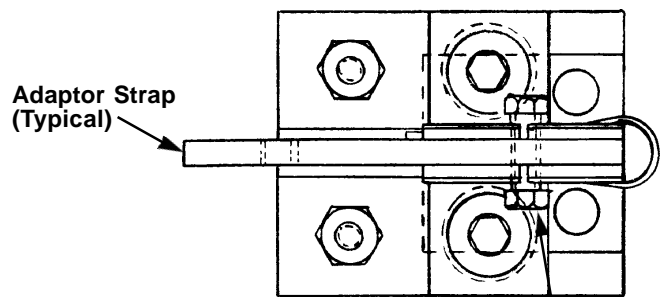


Fig. 1

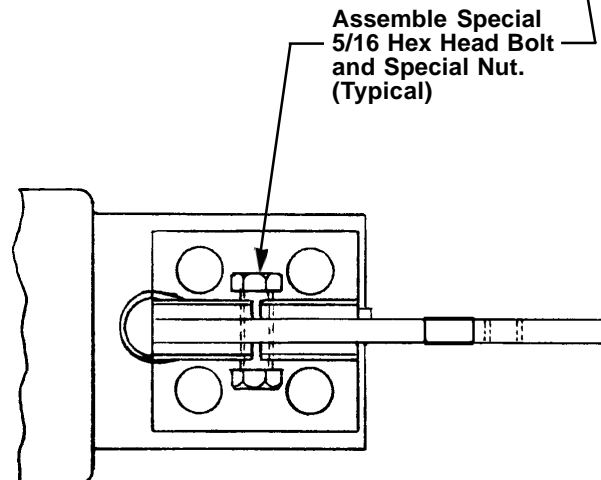


Fig. 2