

Installation Instructions



⚠ DANGER

Hazardous Voltage
Will cause death or serious injury.

Turn power off supplying device before installing kit.



SAFETY INSTRUCTIONS

Note: It is helpful to do a trial placement of the barriers into the slots prior to putting them in with adhesive. Work time for the epoxy is 3-5 minutes at 75° F.

1. Prepare an epoxy pack in accordance with directions printed on the back of the packet.
2. Place a small amount of the epoxy mix into the slots between the center and the outside poles of one end of the breaker. Use the slots that are nearest the outside poles, which will allow the largest spacing between the barriers. To prevent adhering the cover to the base, place the epoxy in the middle of the slot only, and not along the entire length. (Fig. 1)
3. Quickly place the barriers into the slots and set firmly into place.
4. Repeat steps 1 thru 3 on the opposite end of the breaker.
5. Allow a minimum of 5 minutes for epoxy to set before mounting the breaker.

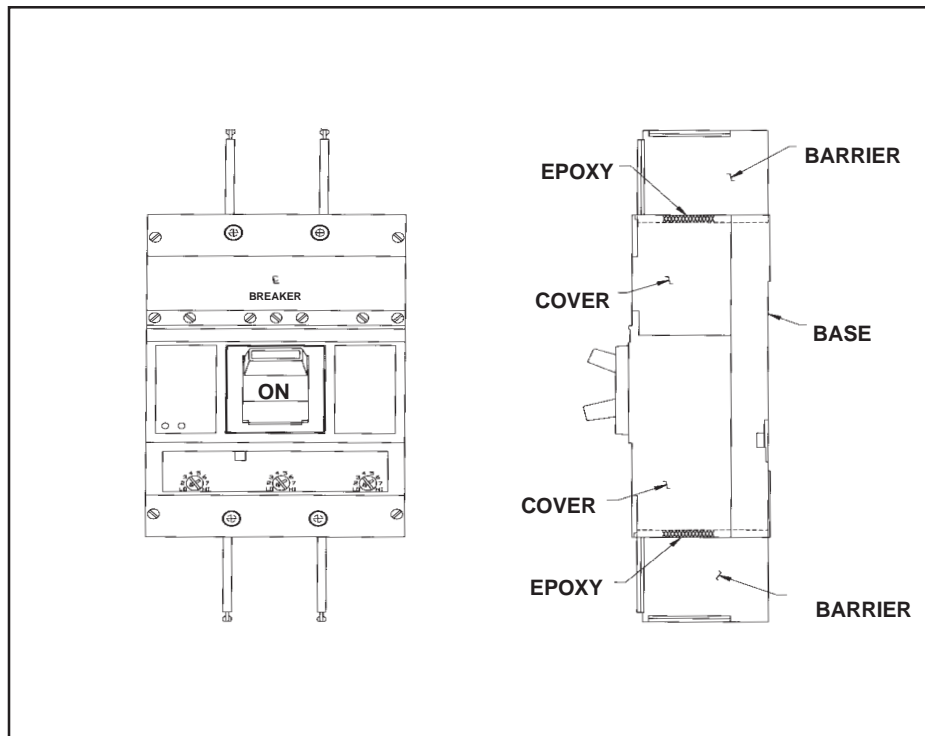


FIGURE 1