

The Siemens logo is displayed in a bold, teal, sans-serif font.

Ingenuity for life

A large, modern glass skyscraper with a curved facade, reflecting the sky and surrounding environment. The building is set against a bright, clear sky.

Intelligent distribution network links

SIPLINK medium-voltage direct-current transmission

Optimum flexibility

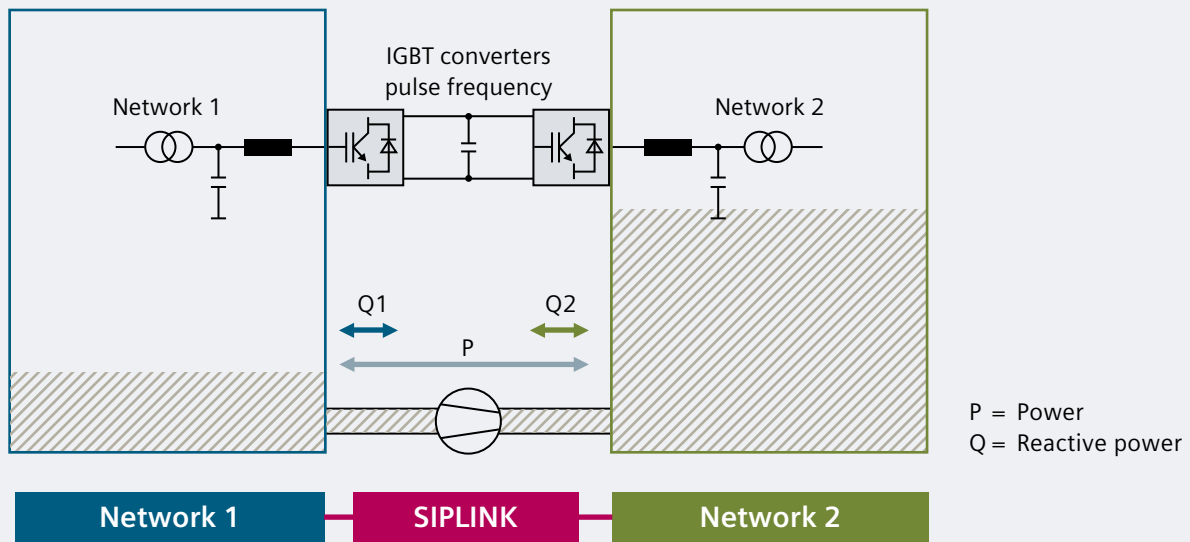
With its innovative power electronics, SIPLINK allows efficient energy transmission on the medium-voltage level, too. Thanks to the DC transmission link in between, the two networks may feature different parameters. Users can profit from a number of advantages, among them lower costs for energy import, a controlled load flow during power transmission, and the provision of reactive power to optimize voltage control.

Innovative back-to-back technology for controlled power transfer and network operation

SIPLINK from Siemens can connect two or more separate medium-voltage networks with different voltages, frequencies, or phase angles. In doing so, it improves network stability and prevents any fault current increases. SIPLINK also dispenses with the need for expensive “top-up” energy as well as low efficiency diesel gensets, thus helping to reduce CO₂ emissions.



SIPLINK back-to-back solution



Easy to use, control, and expand

Operators can make easy use of SIPLINK, thanks to its built-in supervisory level for control and monitoring, as well as by visualizing and archiving the system status through an interactive PC operator interface. Reference values (for active and reactive power) may also be entered. In addition, SIPLINK improves both power supply reliability and power quality at the distribution level. It also offers economical alternatives when distribution networks need to be expanded, especially in densely populated areas – either by coupling the distribution networks or in stand-alone operation. Remote diagnosis is another cost-saving feature that helps to improve performance and reduce downtimes.

One technology – four uses

Power utilities and industrial customers may use SIPLINK as their technology to boost the efficiency of their new and existing networks by providing new options.

Consumption



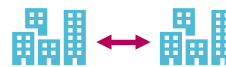
- Local network imports energy from public network
- Specific definition of active and reactive power without any influence of frequency and network voltage on the public network side

Generation



- Local network exports energy to public network
- Specific definition of active and reactive power without any influence of frequency and network voltage on the public network side

Transfer



- Two local networks exchange energy for peak shaving
- Specific definition of active and reactive power, whereby no adaptation of short-circuit rating/power is required

Multiple supply



- Multiple permanent power supply for one strategic network
- Balancing of load from different sources without any influence of frequency and network voltage on the public network side

Published by
Siemens AG 2018

Energy Management
Medium Voltage & Systems
Mozartstr. 31 c
91052 Erlangen
Germany

Article No. EMMS-B10127-00-7600
Dispo 404 00
TH 260-181280 DA 1218

Subject to changes and errors.
The information given in this document only contains general descriptions and/or performance features which may not always specifically reflect those described, or which may undergo modification in the course of further development of the products. The requested performance features are binding only when they are expressly agreed upon in the concluded contract.