

600V DC Solar Photovoltaic Switches Type VBII, 100 Amp, Type 1 (Indoor)

Standards and Ratings

- UL Listed and specifically designed and tested for use with three separate 600V DC circuits
- Specific catalog numbers are available for use with negative and for positive ground system
- Switches comply with UL98 requirements and are UL listed in file number E335018 as UL1741 Photovoltaic Disconnect switches
- Door labeling as required by Article 690 of the NEC supplied as standard
- Rated 10,000 AIC when protected by Class K, J or R fuses rated at 600V DC
- UL approved for field installation of optional copper body and crimp type terminals

Features

- Innovative magnetic arc suppression incorporated into the line base
- Quick-make and break switching action
- Double break visible blade design
- Highly visible ON/OFF indication
- Rugged installer friendly enclosure design
- Front removable line and load lugs which can easily be converted to copper body or compression type lugs
- Defeatable dual cover interlock
- Ground bar factory installed as standard
- Two and 3 point mounting provisions are standard
- Large wire gutters and oversized lugs allow for larger cables to minimize voltage drop on long cable runs

General Information

| Catalog Number | Volts DC | Description | Shipping Weight (lbs.) | Rated Isc per NEC Article 690 |
|------------------------|----------|-----------------------------|------------------------|-------------------------------|
| Negative Ground | | | | |
| HF363PV | 600 | 3 Pole, 3 Wire, Fusible | 25 | 64.0A |
| HNF363PV | 600 | 3 Pole, 3 Wire, Non-Fusible | 24 | 80.0A |
| Positive Ground | | | | |
| HF363PVPG | 600 | 3 Pole, 3 Wire, Fusible | 25 | 64.0A |
| HNF363PVPG | 600 | 3 Pole, 3 Wire, Non-Fusible | 24 | 80.0A |

Accessories

| Catalog Number | Description |
|----------------|---|
| HA161234 | One Normally Open and Closed Auxiliary Switches |
| HA261234 | Two Normally Open and Closed Auxiliary Switches |
| HA361234 | Low Voltage Auxiliary Switch |
| HG261234 | Isolated Equipment Ground Lug Kit |
| HP63 | Fuse Puller (3 per kit) |
| HN623 | Neutral Kit |
| HR63 | Class R Fuse Clip Kit (3 fuse clips per kit) |
| HLC63 | Copper Lug Kit (9 lugs per kit) |
| HCL623 | Compression Lug Neutral Barrier Kit |

Replacement Parts

| Catalog Number | Description |
|----------------|------------------------------------|
| HBB63 | Fusible Load Side Replacement Base |
| HH6123 | Replacement Handle/Handle Guard |
| HL63 | Replacement Lugs (3 lugs per kit) |
| HM6123 | Replacement Mechanism |

Mechanical Lug Wire Ranges (75°C, Cu/Al)

| Description | Wire Range |
|-------------|---------------------|
| Line, Load | #12-1/0 (Al) AWG or |
| Neutral | #14-1/0 (Cu) AWG |
| Ground | #14-4 AWG |

Product Specification Sheet HD100.12

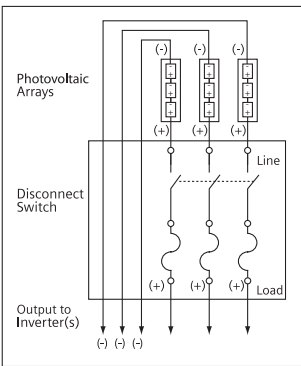
Product Specification Sheet #HD100.12 (page 2 of 2)

Compression Lugs

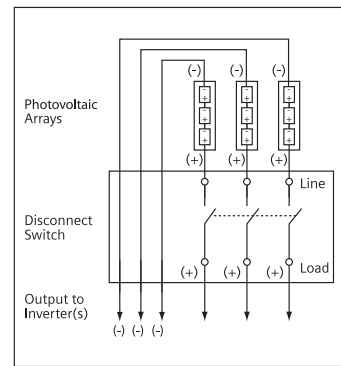
| Wire Size | Burndy | | Thomas-Betts | | Ilsco | |
|-----------|---------------------|--------|------------------|----------------|--------------------|-------|
| | CU Only | CU/AL | CU Only | CU/AL | CU Only | CU/AL |
| #6 | YA6C-L BOX YA6C | YA6CA1 | 54105 54905BE | 61107 60107 | CRB-6 CRB-6L | ACL-6 |
| #4 | YA4C-L BOX YA4C | YA4CA1 | 54106 54906BE | 61112 60112 | CRB-4 CRB-4L | ACL-4 |
| #2 | YA2C-L2 BOX YA2C | YA2CA5 | 54107 | 61116 | CRB-2 CRB-2L | ACL-2 |
| #1 | YA1C-L2 YA1C | | 54108 54947BE | 61122 | CRB-1-14 CRA-1L | |
| 1/0 | | | | 61130 | | |

Wiring Diagrams

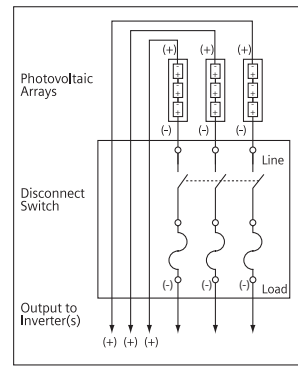
For negative ground PV systems
HF363PV



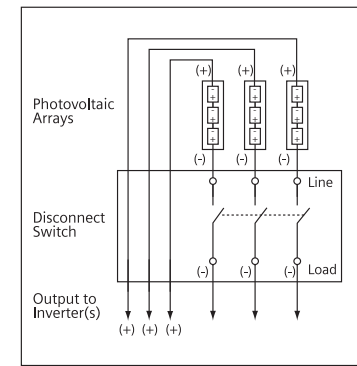
HNF363PV



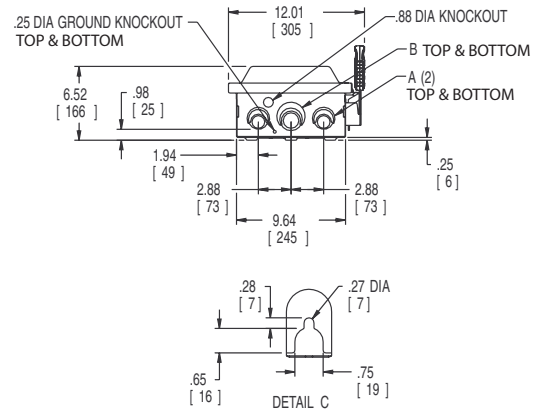
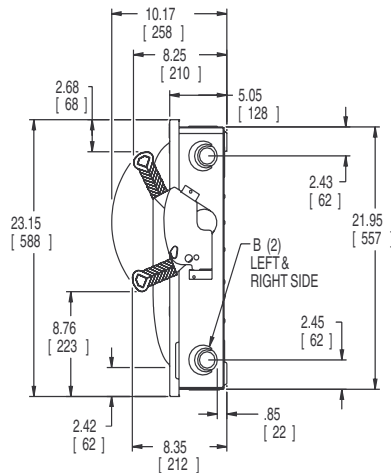
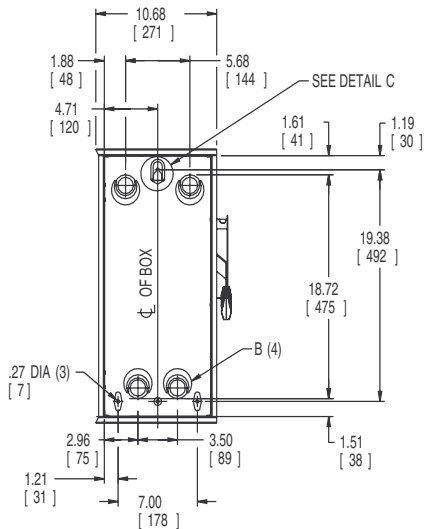
For positive ground PV systems
HF363PVP



HNF363PVP



Dimension Drawing



| KNOCKOUT CODE | CONDUIT SIZE | | | |
|----------------|--------------|------|------|------|
| | .75 | 1.00 | 1.25 | 1.50 |
| A (Tangential) | .75 | 1.00 | 1.25 | 1.50 |
| B (Tangential) | 1.00 | 1.25 | 1.50 | 2.00 |

| | LINE SIDE WIRE BEND | LOAD SIDE WIRE BEND |
|------------|---------------------|---------------------|
| 240V Fused | 6.07 (154) | 8.10 (205) |
| 600V Fused | 6.07 (154) | 6.10 (155) |
| Non-Fused | 6.07 (154) | 11.46 (291) |

Dimensions shown in inches and millimeters ().
Dimension shown accurate to $\pm 1/16$ inch.

Enclosure: Cold Rolled Steel
.054 Thick (17 Gauge)
Finish: ANSI Grey #61 Paint

Siemens Industry, Inc.
Building Technologies Division
5400 Triangle Parkway
Norcross, GA 30092
1-800-241-4453

Subject to change without prior notice.
All rights reserved.
Printed in USA
©2011 Siemens Industry, Inc.

Siemens is a registered trademark of Siemens AG.
Product names mentioned may be trademarks or registered trademarks of their respective companies.