

Rainproof Combination Metering

Catalog Number
JA1224B1100SEC
JA1224B1100FEC

Enclosure
Type 3R

Panelboard Rating:

100 Amps, Max; 120/240 Volts ~, 1 phase, 3 wire; 208Y/120 Volts ~, 1 phase, 3 wire
 (Derived from 3 phase - 4 wire system With 5th Jaw Assembly installed)

Meter Socket Rating: 100 Amps Continuous

Suitable Only For Use As Service Equipment

For Overhead or Underground Service

Use 60/75° C Copper or Aluminum Conductor in

Terminals A1, B1, A2, B2, N1, N2, and G1.

Line terminals A1 and B1 are installed for underground service entry as shown in the wiring diagram. For overhead entry, reposition wire connectors from A1 and B1 to A2 and B2. Torque the sems nut to 40-45 lb in.

Unused neutral branch terminals may be used to terminate equipment grounding wires in the combinations indicated for equipment ground bar terminals.

General Information:

Circuit breaker trip position is indicated by handle position midway between ON and OFF. To reset, move handle to OFF position then turn ON. For installation by Qualified Person in accordance with all local electrical codes and/or the National Electrical Code.®

| Terminal | Wire Size | Torque |
|----------------------------|---|-------------|
| A1, B1, A2, B2 | 2/0 - #4 | 110 lb. in. |
| N1 | 2/0 - #4 | 110 lb. in. |
| G1, N2 | 2/0 - #14 | 50 lb. in. |
| Branch Breaker Terminals | See Markings on Breaker | |
| Neutral Bar | #10 - #14 CU 20 lb. in. #10 - #12 AL 20 lb. in. #8 25 lb. in. #6 - #4 35 lb. in. | |
| Ground Bar Conductors only | (2) or (3) #14 20 lb. in. (2) #12 - #10 20 lb. in. | |

If hub is required, use the catalog numbers listed below (for Surface mount devices only):

| Trade size (in) | Catalog number |
|-------------------------------|----------------|
| AX Type Hub (top end/wall) | EC38597 |
| 1 1/4" | EC38598 |
| 1 1/2" | EC38599 |
| 2" | EC38600 |
| 2 1/2" | EC38600 |
| HC Type Hub (bottom end/wall) | ECHC200 |
| 2" | ECHC250 |
| 2 1/2" | ECHC300 |
| 3" | ECHC300 |

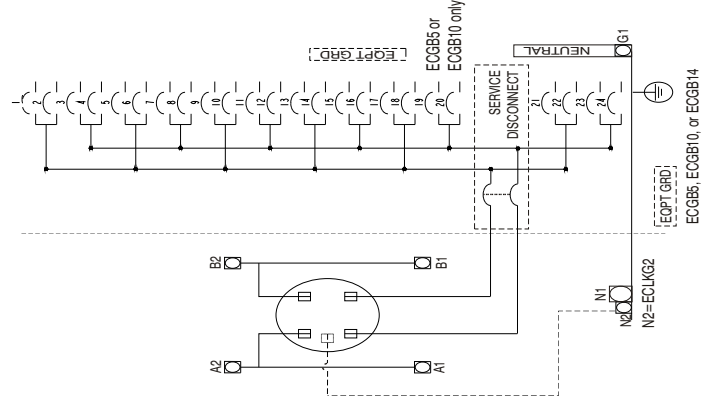
Ground Bars:

| Catalog # | Taps |
|-----------|------|
| ECGB5 | 5 |
| ECGB10 | 10 |
| ECGB14 | 14 |

| Lug Kits: | Wire Range | Torque |
|-----------|------------|-----------|
| ECLK2 | 2/0 - #4 | 135 lb in |
| ECLKG2 | 2/0 - #14 | 50 lb in |

Accessories:

| | |
|----------------------|--------------|
| Filler Plate | QF3 or ECQF3 |
| 5" Jaw Assembly | EMC5J |
| Mechanical Interlock | ECQML12 |
| Meter Socket Jumper | ECJS |



Short Circuit Current Rating (Wathour Meter not included in short circuit rating)
 This panelboard has a short circuit current rating of 22,000 Amps RMS symmetrical, 120/240 V~. The correct branch circuit breakers and main/branch breaker series combinations to be used for various short circuit current levels are listed in the tabulation below. Any circuit breaker installed, replaced, or added in this panelboard must be manufactured by Siemens and must be of the correct type as indicated in the tabulations below.

| | |
|---------------------------|--|
| Main Breaker | Branch Breaker |
| When the main breaker is: | And the branch breakers installed are type: |
| MP-HT | MP-T, MP-GT, MP-HGT, MP-HT, MP-AT, MP-HAT, MP-ET, MP-HET, MH-T |
| | 22,000 |

MANUFACTURING DATE:

J2

4099830 REV. C

Important Do not spray or allow any petroleum-based chemicals, solvents, or paint to contact interior components.
 ©The National Electrical Code is a registered trademark of the National Fire Protection Association.

©2004 Copyright Siemens Energy & Automation, Inc.

Murray Electrical Products
 Siemens Energy & Automation, Inc.
 Alpharetta, Georgia U.S.A.

ASSEMBLED IN MEXICO

MURRAY