

SIEMENS



SIPROTEC 5 Application Note

Breaker-and-a-half solutions

SIP5-APN-002, Edition 2

SIPROTEC 5 – Application Note

Breaker-and-a-half solutions

SIP5-APN-002, Edition 2

Content

1	Breaker-and-a-half solutions	3
1.1	Introduction	3
1.2	Properties of a breaker-and-a-half application	3
1.3	Terminology	3
1.4	Requirements for the system solution	3
1.5	Solution concept with SIPROTEC 5 for two feeders	4
1.6	Description of the individual system components	5
1.7	Description of the selected device hardware	6
1.8	SIPROTEC 5 Function Groups for Breaker-and-a-half	9
1.9	Protection and (optional) control functions	9
1.10	Summary	10

1 Breaker-and-a-half solutions

1.1 Introduction

This application describes the requirements for the protection and control of breaker-and-a-half systems and introduces an efficient and innovative solution concept with SIPROTEC 5.

1.2 Properties of a breaker-and-a-half application

- Each line is delimited by two circuit breakers and the associated current transformers. These currents have to be supersized and processed.
- Each diameter contains two feeders (two lines or line and transformer). The central circuit breaker is used jointly by both feeders. Only 3 circuit breakers are consequently available for 2 feeders. Hence the designation breaker-and-a-half application.
- Different voltages have to be selected for synchronizing the switching command depending on the switch position.

1.3 Terminology

The following terminology is used in the context of breaker-and-a-half:

- **Breaker-and-a-half:**
Term used for the plant configuration shown in the single line diagram, figure 1.
- **Diameter:**
Term used to describe the three circuit breakers and associated equipment in the diagram below. A number of such "diameters" in parallel are applied to the two busbars.
- **Stub Protection:**
In this application this is a special protection that covers the zone between the breakers and the line isolator when the line isolator is open.
- **Tie-CB:**
The central circuit breaker, between the two feeders, in the breaker-and-a-half configuration is referred to as the Tie-CB.
- **Leader/Follower:**
The Leader/Follower logic is associated with the auto re-close function in the breaker-and-a-half configuration. It determines the sequence of re-closing of the two circuit breakers that trip to clear a fault on the OHL.
- **Application Template :**
Predefined device configuration in DIGSI 5 (e.g DIS overhead line, grounded systems). The application templates contain the basic configurations, required functions groups and function as well as default settings.
- **Function Group:**
Functional groups (FG) correspond to the primary components (protection object: line; transformer, circuit breaker, disconnecter), thereby simplifying the direct reference to the actual system. For example, if the switchgear includes 2 circuit breakers, this is also represented by 2 "circuit breaker" functional groups – a schematic map of the actual system.

1.4 Requirements for the system solution

- Feeder protection (main protection and backup protection)
- Circuit-breaker failure protection

Breaker-and-a-half solutions

SIPROTEC 5 Application Note

- AR for each circuit breaker of a feeder
- Controlling the diameter
- Synchronization of each circuit breaker
- Sufficient number of inputs and outputs for controlling and detecting the switching elements and signal

1.5 Solution concept with SIPROTEC 5 for two feeders

- Main protection and backup protection devices for each line
- 1 central control unit for the entire diameter/bay
- All devices of a diameter are connected by a so called a diameter bus.
- Distribution of the functions between the devices using the flexibility of SIPROTEC 5:
 - Control unit: control, synchrocheck
 - Protection devices: protection, tripping, AR, circuit-breaker failure protection
- Flexible expansion of IOs using the modular quantity structure or connected IO units (diameter bus)

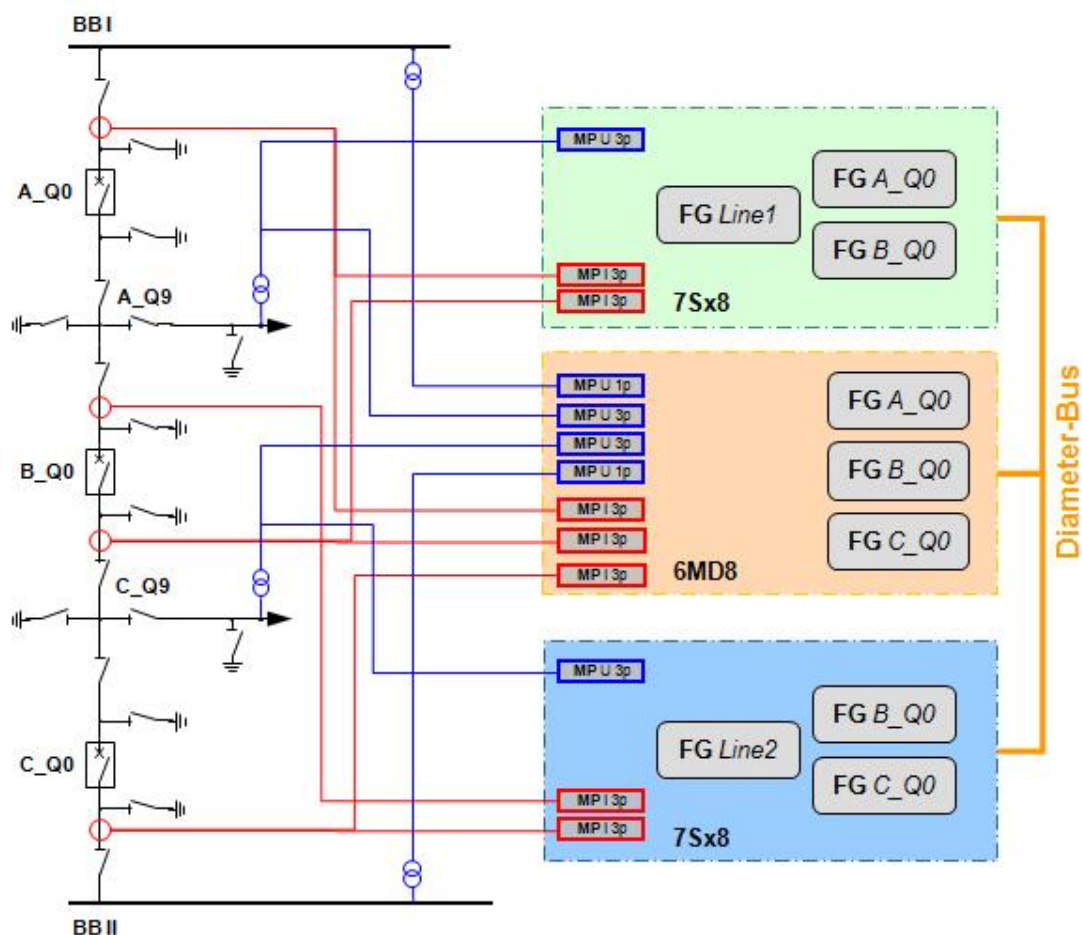


Figure 1: Overall concept for protection and control of breaker-and-a-half systems

1.6 Description of the individual system components

Diameter bus

The diameter bus is implemented in order to ensure the proper data exchange among the devices belonging to the diameter. This provides the following system benefits:

- fast data exchange between the devices
- isolated signal exchange (optical fiber)
- enhanced security compared to wire connections through monitoring of the signal links
- easy implementation of group indications and additional automation functions (e.g. common start of fault records, coordination of protection functions that run parallel)
- It is possible to implement communication and function redundancy
- easy integration of redundant devices and/or additional devices
- reduced wiring and engineering effort
- more flexibility for future modifications
- less space required

There is several options for such a diameter bus:

1. Using Protection Data Interfaces (PDI) - Modules USART-xx-yFO
2. Using a dedicated IEC61850 GOOSE Network by adding an ETH-xx-2FO Module, preferably using HSR configuration.

Controlling equipment

The switching equipment, circuit breakers and disconnector, is operated from a central bay controller.

- clearly arranged operation owing to representation on the device display
- The diameter bus provides the central bay controller with all the information that is relevant to assume the control task. (e.g. interlocking)
- It is possible to activate backup protection functions in the central bay controller if no line backup protection is used.

Synchrocheck

The synchrocheck is realized centrally in the bay controller for the entire diameter. All voltages are acquired directly and independently by the bay controller and applied to the synchrocheck function depending on the diameter current configuration.

- enhanced security and reduced wiring effort because no external coupling relays are needed to select the voltage
- monitoring of all voltage transformers (fuse failure monitor)

Line protection

The protection scheme can be implemented with a single device. Redundancy can be achieved by using the protection device of one feeder as the backup protection of the other.

- Line differential protection and distance protection in one device (7SL8). Alternatively, can be also distributed on two devices (7SD8 and 7SA8)
- integrated stub protection (87Stub) when line disconnectors are open
- increased sensitivity of the line differential protection through separate transformer acquisition

Breaker-and-a-half solutions

SIPROTEC 5 Application Note

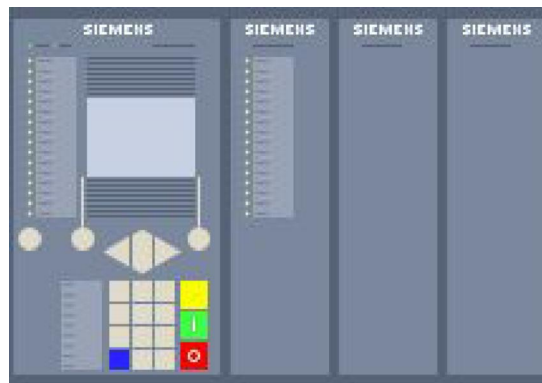
- additional stability of the direction determination for the distance protection
- saturation detection for each transformer

1.7 Description of the selected device hardware

The following devices are selected for this solution:

- 7SL8 Line Differential and Distance Protection (Line 1 Main 1)
- 7SL8 Line Differential and Distance Protection (Line 2 Main 1)
- 6MD8 Bay Controller (Control of switching devices of the diameter)

2 x 7SL87 for Line 1 and 2: Product code P1C107747 *



7Sx8	CT	VT	BI	BO
PS 201			3	2
IO 202	4	4	8	6
IO 208	4	4	4	11
IO 207	-	-	16	8
IO 207	-	-	16	8
CB 202	Optional – not included			
Total			47	35
used			32	27
spare:			15	8
Line 1				

7Sx8	CT	VT	BI	BO
PS 201			3	2
IO 202	4	4	8	6
IO 208	4	4	4	11
IO 207	-	-	16	8
IO 207	-	-	16	8
CB 202	Optional – not included			
Total			47	35
used:			32	27
spare:			15	8
Line 2				

* Diameter Bus with PDI

- Housing width: 5/6 x 19"
- Housing type: Flush mounting
- Binary inputs: 47**
- Binary outputs: 36 Relays (22 Standard, 14 Fast, 0 High-Speed, 0 Power)**
- Current transformers: 8 for protection, 0 for measurement and sensitive ground-current detection**
- Voltage transformers: 8**
- Modules in 19" row 1: IO202 , PS201 , IO208 , IO207 , IO207

Breaker-and-a-half solutions

SIPROTEC 5 Application Note

- Number of LEDs: 32
- Display type: Small display
- Power Supply: DC 60 V-250 V, AC 100 V-230 V

Communication:

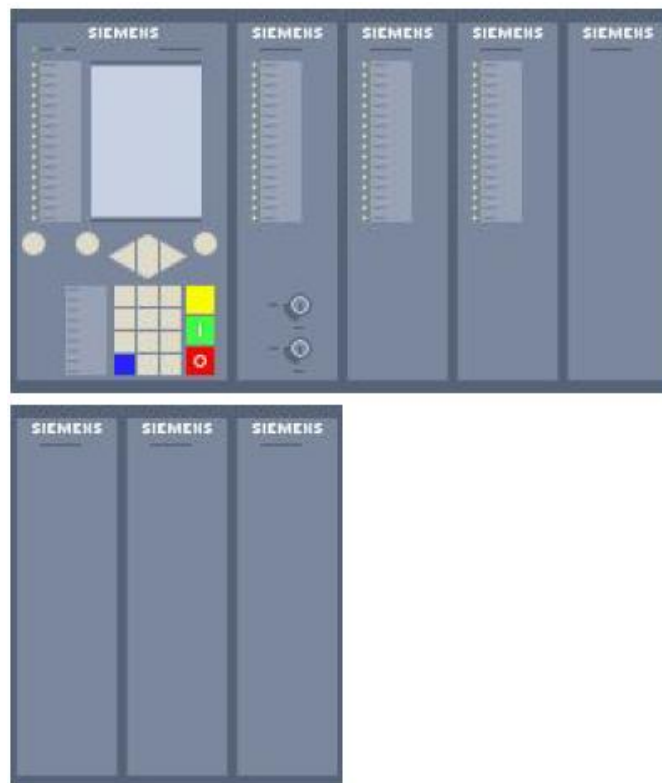
- Communications encryption: Normal
- Integrated Ethernet port: for DIGSI 5
- Plug-in module position E:
USART-AE-2FO: 2 x optic 1.5 km, 820 nm, ST connector, for serial protocols, e.g. IEC60870-5-103, DNP3.0 etc. and protection interface
- Plug-in module position F:
ETH-BB-2FO: 2 x optic Ethernet, Ethernet 100 Mbit/s, 1300 nm, LC-Duplex connector, 2 km over 50/125 μ m or 62,5/125 μ m multimode - fiber

Functions:

Function points class: Base + 425 function points

** The amount of binary/analog inputs and outputs can be adjusted by adding, reducing, changing the IO Modules.

1 x 6MD86 for Control of switching equipment of the diameter: Product code P1G93301*



6MD8	I	U	BI	BO
PS 201			3	2
I/O 202	4	4	8	6

Breaker-and-a-half solutions

SIPROTEC 5 Application Note

I/O 202	4	4	8	6
I/O 231	-	-	24	24
I/O 231	-	-	24	24
I/O 231	-	-	24	24
PS 203			-	1
I/O 231	-	-	24	24
I/O 230	-	-	48	0
CB 202	Optional – not included			
			147	93
used:			47	36
Spare (add. Indications: e.g. MCB trip)			100	57

* Diameter Bus with PDI

- Housing width: 9/6 x 19"
- Housing type: Flush mounting
- Binary inputs: 147**
- Binary outputs: 93 Relays (75 Standard, 18 Fast, 0 High-Speed, 0 Power)**
- Current transformers: 0 for protection, 12 for measurement and sensitive ground-current detection**
- Voltage transformers: 8**

* Diameter Bus with PDI

** The amount of binary/analog inputs and outputs can be adjusted by adding, reducing, changing the IO Modules.

- Modules in 19" row 1: IO202 , PS201 , IO202 , IO201 , IO231 , IO231
- Modules in 19" row 2: PS203, IO231 , IO230
- Number of LEDs: 64
- Key switch: With
- Display type: Large display
- Power Supply: DC 60 V-250 V, AC 100 V-230 V

Communication:

- Communications encryption: Normal
- Integrated Ethernet port: for DIGSI 5
- Plug-in module position E:
ETH-BA-2EL: 2 x electric Ethernet, RJ45, applicable for DIGSI, IEC61850, DNP, etc.

Plug-in module position F:

USART-AD-1FO: 1 x optic 1.5 km, 820 nm, ST connector, for serial protocols, e.g. IEC60870-5-103, DNP3.0 etc. and protection interface

Functions:

- Function points class: Base

1.8 SIPROTEC 5 Function Groups for Breaker-and-a-half

In the SIPROTEC 5 platform was introduced the “Function Group” concept. A “Function group”, FG, is the representation of a primary object like a line, circuit breaker, transformer, disconnecter, or generic V-I groups, among others. The protection functions are assigned to the corresponding Function Groups where the protection functionality is to operate, providing a clear interface and separation of tasks between the various functions in a complex application. The following example shows the allocation of the required Function Groups and Protection Functions for this application:

Distribution of Protection Functions in the corresponding Function Groups:

	Protection Devices						Control Device		
	7SL87 Line 1 Main 1			7SL87 Line 2 Main 1			6MD86		
	FG Line	FG Circuit Breaker A_O0	FG Circuit Breaker B_O0	FG Line	FG Circuit Breaker C_O0	FG Circuit Breaker B_O0	FG Circuit Breaker A_O0	FG Circuit Breaker B_O0	FG Circuit Breaker C_O0
Distance Protection	x			x					
Line Differential	x			x					
Over Current	x			x					
Over Voltage	x			x					
Auto Reclose		x	x		x	x			
Sync Check							x	x	x
Breaker Failure		x	x		x	x			

Figure 2: Functional allocation

1.9 Protection and (optional) control functions

Several protection functions shall be normally enabled in a diameter in order to cover all possible fault scenarios. The table below shows an example for overhead lines OHL, indicating the type of IED that can be used with information about the applicable Function group and Protection functions, as well as the corresponding SIPROTEC 5 Application Note if available:

Function	Function Group	Description	Protection IED	Detailed App Instr.
Distance Protection	Line	Main and / or back up protection in OHL	7SA86, 7SA87, 7SL86 and 7SL87	SIP5-APN0016
Differential protection	Line	Main and / or back up protection in OHL	7SD86, 7SD87, 7SL86 and 7SL87	
Earth Fault Protection	Line	Back up protection in OHL	7SA86, 7SA87, 7SD86, 7SD87, 7SL86 and 7SL87	
Voltage / frequency Protection	Line	Additional protection in OHL	7SA86, 7SA87, 7SD86, 7SD87, 7SL86 and 7SL87	
Stub	Line	Protection to cover the zone	7SA86, 7SA87,	SIP5-APN017

Breaker-and-a-half solutions

SIPROTEC 5 Application Note

protection		between circuit breakers and line isolator	7SD86, 7SD87, 7SL86 and 7SL87	
Busbar protection	Busbar	Protection to the busbar and zone between CB and Busbar	7SS85	
Breaker failure protection	Circuit Breaker	Local back-up protection for breaker fail scenarios after a protection trip	7SA86, 7SA87, 7SD86, 7SD87, 7SL86 and 7SL87 7VK86 7VK87 and 6MD8x	
Auto reclose Incl. leader follower function	Circuit Breaker	Together with the OHL protection provides for reclose of CB after OHL fault clearance	7SA86, 7SA87, 7SD86, 7SD87, 7SL86 7SL87, 7VK86 7VK87 and 6MD8x	SIP5-APN-018
Sync Check	Circuit Breaker	Provides sync check prior to closing of CB (after AR or control command)	7SA86, 7SA87, 7SD86, 7SD87, 7SL86 and 7SL87 7VK86 7VK87 and 6MD8x	SIP5-APN-004

Figure 3: Function and function group overview of a diameter

1.10 Summary

The solution concept introduced above uses the multiple features of the SIPROTEC 5 series. It is based on a distributed system solution approach whose components are merged to a total solution using highly efficient and reliable communication options. The individual functions can be adjusted flexibly to customer requirements and to the individual device within the overall solution.

Published by and copyright © 2015:

Siemens AG
Energy Management
Products
Humboldtstr. 59
90459 Nuremberg, Germany
www.siemens.com/siprotec

For more information, please contact your Siemens
Partner or our Customer Support Center.

Phone: +49 180 524 84 37
Fax: +49 180 524 24 71
(Charges depending on the provider)
Email: support.energy@siemens.com

Application Note: SIP5-APN-002, Edition 2

Printed on elementary chlorine-free bleached paper.
All rights reserved.
Trademarks mentioned in this document are the property
of Siemens AG, its affiliates, or their respective owners.
Subject to change without prior notice.

The information in this document contains general
descriptions of the technical options available, which may
not apply in all cases. The required technical options
should therefore be specified in the contract.

For all products using security features of OpenSSL
the following shall apply:

This product includes software developed by the
OpenSSL Project for use in the OpenSSL Toolkit
(www.openssl.org).

This product includes cryptographic software written
by Eric Young (ey@cryptsoft.com).