

REVISION	DATE	BY	DATE	BY
		DRAWN	15/11/09	JW
		CHEK'D		
		VERIF'D		

**Confidential – Property of
Siemens Industry, Inc.**

CUSTOMER	
ORDER NO.	DWG. NO.
	3F3Y045FLN3D16
	SH 1 OF 2

SIEMENS

CATALOG NO. 3F3Y045FLN3D16
SERIAL NO. SERIES H
45 kVA **60** Hz **3** PHASE
2.8 % IMP AT **135** °C

115 °C RISE **30** °C AVG. AMBIENT
220 °C TEMP CLASS **40** °C MAX. AMBIENT

PRIMARY (H1 H2 H3) **480V** V **10** kV BIL
SECONDARY(X0 X1 X2 X3) **208Y/120V** V **10** kV BIL

WINDING MATERIAL **AL**
ENCLOSURE TYPE **3R** WEIGHT **550** LBS
ENERGY EFFICIENCY EXCEEDS CSA DOE 10 CFR PART 431:2016
C802.2-2012

SPACINGS BETWEEN ANY VENTILATED ENCLOSURE PANEL AND
ANY ADJACENT WALL SHALL BE A MINIMUM OF 5 INCHES
EXCEPT WHEN WALL MOUNTED USING APPROVED WALL MOUNTING KIT
SOUND LEVEL 3dB BELOW NEMA ST20 REQUIREMENTS

SUITABLE FOR INDOOR OR OUTDOOR LOCATIONS
BEFORE HANDLING, INSTALLING AND OPERATING, SEE INSTRUCTION MANUAL
NEMA Class **ANN** Dry Type Transformer

Siemens Industry, Inc. Norcross, GA ds0006e



VOLTS

504
492
480
468
456
444
432

CONNECT

1
2
3
4
5
6
7

TYPE **K**

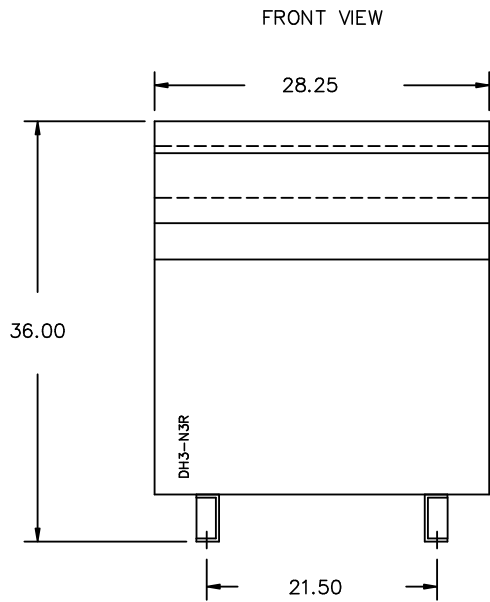
DRY TYPE TRANSFORMER
7705 E112313



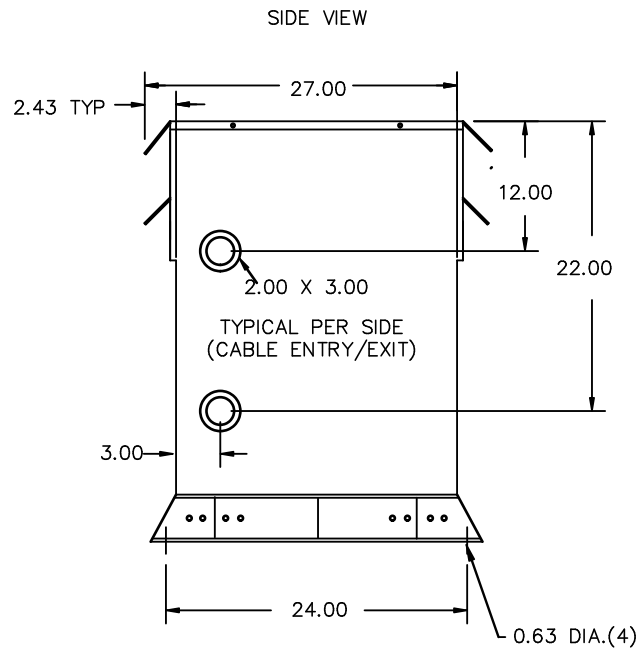
LISTED

SEISMIC QUALIFICATIONS, FLOOR MOUNT ONLY
OSP-0136-10 IBC 2012/ASCE 7-10
SDS<=2.0g Z/h=1 Ip=1.5





All Dimensions in inches



ENCLOSURE COLOR :ANSI 61 GREY – OUTDOOR

H.V.1. TERMINAL DETAIL

L.V.1. TERMINAL DETAIL

MECHANICAL TYPE LUGS INCLUDED
SUITABLE FOR #2/0-14 CU/AL
CONDUCTORS
1 CONDUCTOR PER PHASE

MECHANICAL TYPE LUGS INCLUDED
SUITABLE FOR 600MCM-2 CU/AL
CONDUCTORS
1 CONDUCTOR PER PHASE

CUSTOMER NOTES:

- HV1 TERMINATED AT TOP FRONT
- LV1 TERMINATED AT BOTTOM FRONT

Confidential – Property of
Siemens Industry, Inc.

REVISION	DATE	BY	DATE	BY	CUSTOMER
			DRAWN 15/11/09	JW	
			CHEK'D		
			VERIF'D		
		ORDER NO.		DWG. NO.	
				3F3Y045FLN3D16	
				SH 2 OF 2	