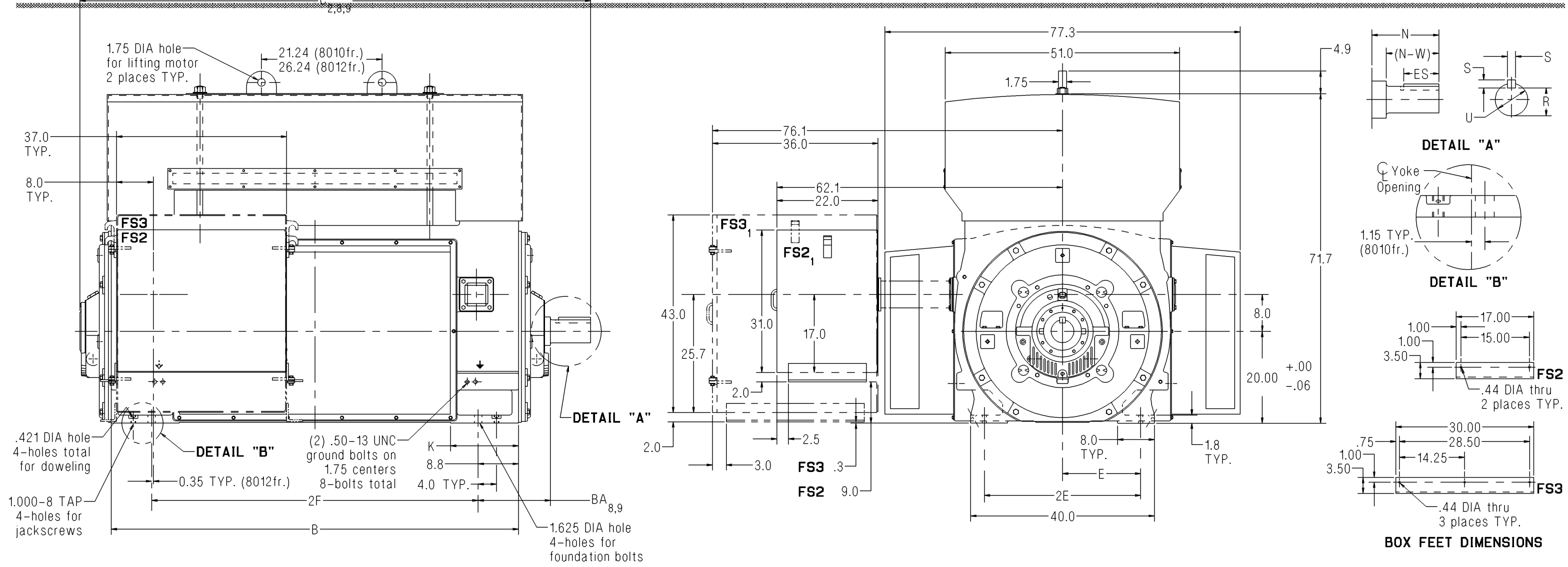


Dimension Prints for Above NEMA Motors



- Notes:**
- Main conduit box is free standing and must be supported from below by customer. Main conduit box is not level with motor feet. A removable bottom plate is supplied on the FS2 and FS3 conduit boxes. A 16.0" spacer is supplied on both frames for the FS2 and FS3 conduit boxes.
 - C = Length of motor from drive end of shaft to end of non-drive end of motor.
 - V = (N-W)-0.25" = length of shaft available for coupling.
 - 2 Pole machines may rotate in one direction only.
 - Shims may be necessary under motor feet for direct connection.
 - Rotor end float = 0.5"
 - End float of LEF coupling = 0.19"
 - Adding a rotating labyrinth seal to the drive end increases BA and C by:
2 Pole: 1.00" 4 & 6 Pole: 1.00"
 - When adding a ground brush consult the factory. (BA and C will increase.)
 - For motors equipped with proximity probes use print CG_800_2-4-6PL_SLVPRB_FS.

Lubrication Per Bearing	
2 Pole	4 & 6 Pole
140-160 SUS @ 100°F	290-350 SUS @ 100°F
6.0 qt. capacity	6.0 qt. capacity

Standard Dimensions in Inches

Shaft	Frame	Speed	B	BA _{8,9}	C _{2,8,9}	E	2F	K	N	(N-W)	R	S	U	V ₃	ES	Approx. Ship Wt. (Lbs)
Short	8010	2 Pole	73.6	15.75	95.6	17.0	56.0	13.3	9.50	8.75	4.296	1.25	5.000	8.50	7.0	18700
Short	8010	4 & 6 Pole	73.6	15.75	98.0	17.0	56.0	13.3	11.75	11.00	5.408	1.50	6.250	10.75	9.5	19600
Short	8012	2 Pole	88.6	15.75	110.6	17.0	71.0	14.8	9.50	8.75	4.296	1.25	5.000	8.50	7.0	23000
Short	8012	4 & 6 Pole	88.6	15.75	113.0	17.0	71.0	14.8	11.75	11.00	5.408	1.50	6.250	10.75	9.5	24400

Certification: Customer _____ P.O. _____ S.O. _____ Item _____
 HP _____ RPM _____ Frame _____ PH/HZ/Volts 3/_____/_____
 By _____ Date _____ Terminal Box Size FS2 FS3
 Comments _____
 Not for construction, installation or application purposes unless certified.