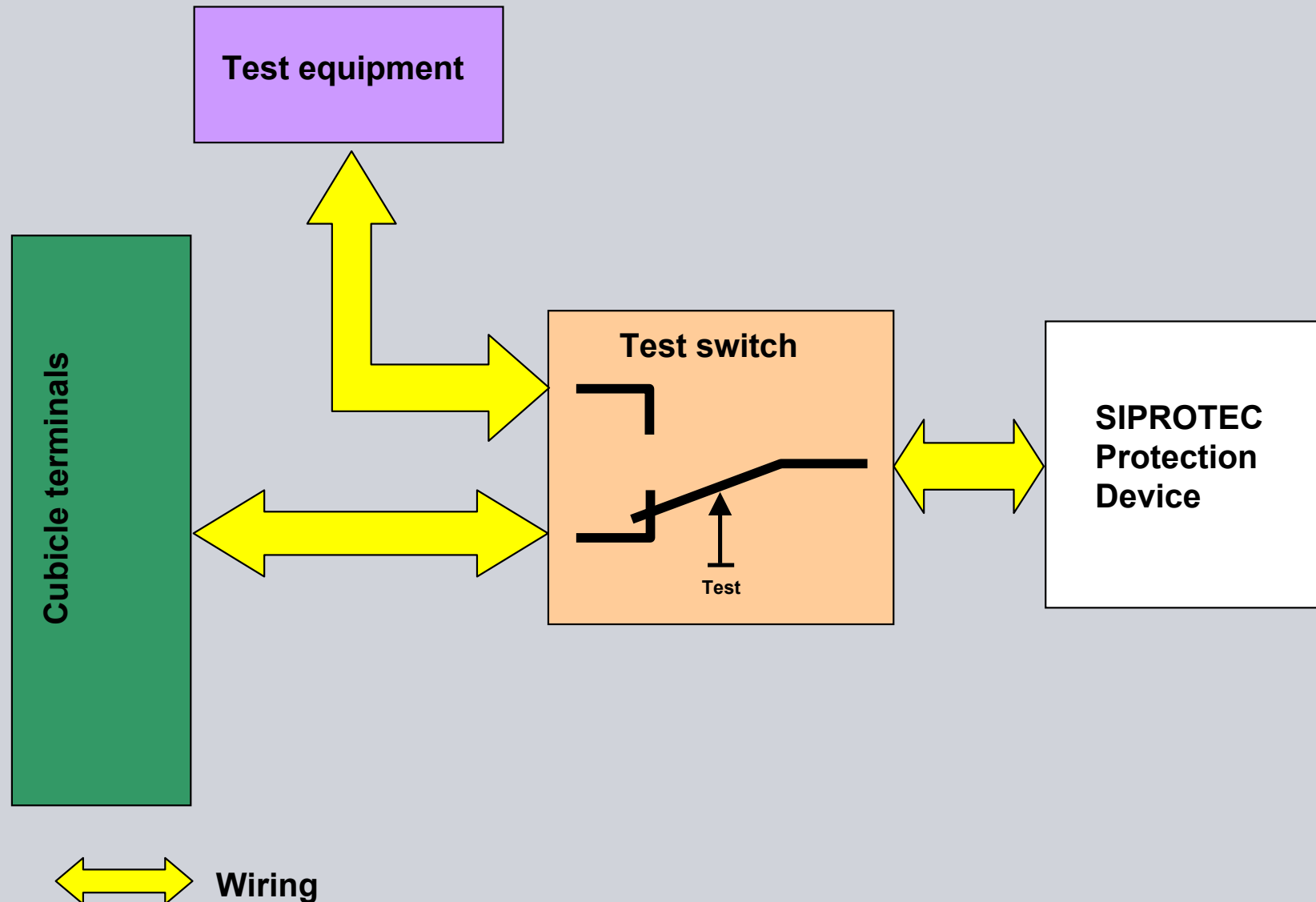
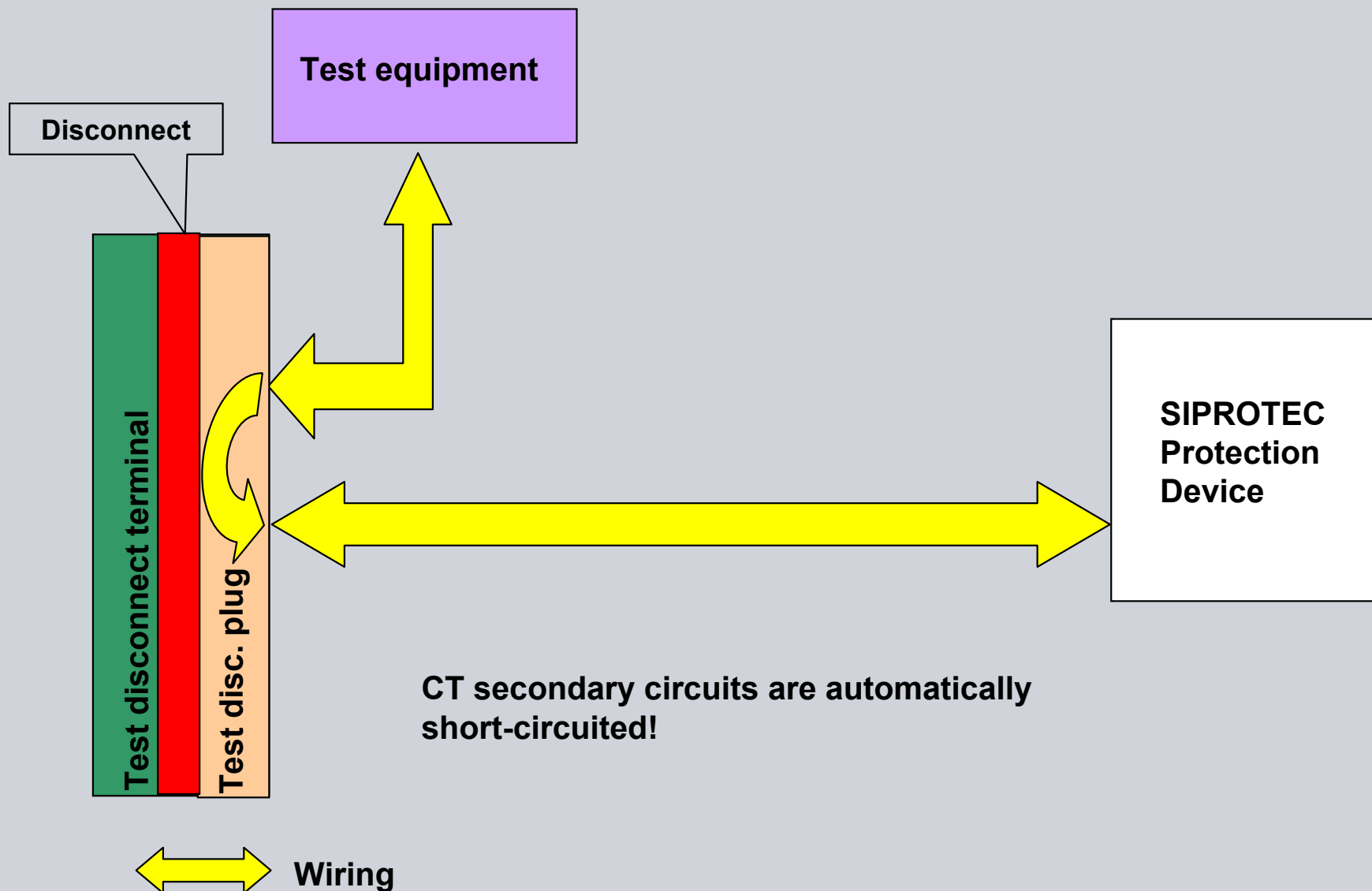


# New Test Disconnect Terminal UTME 6-MP and Test Plug SMP

# Classical approach: Test concept with a conventional test switch

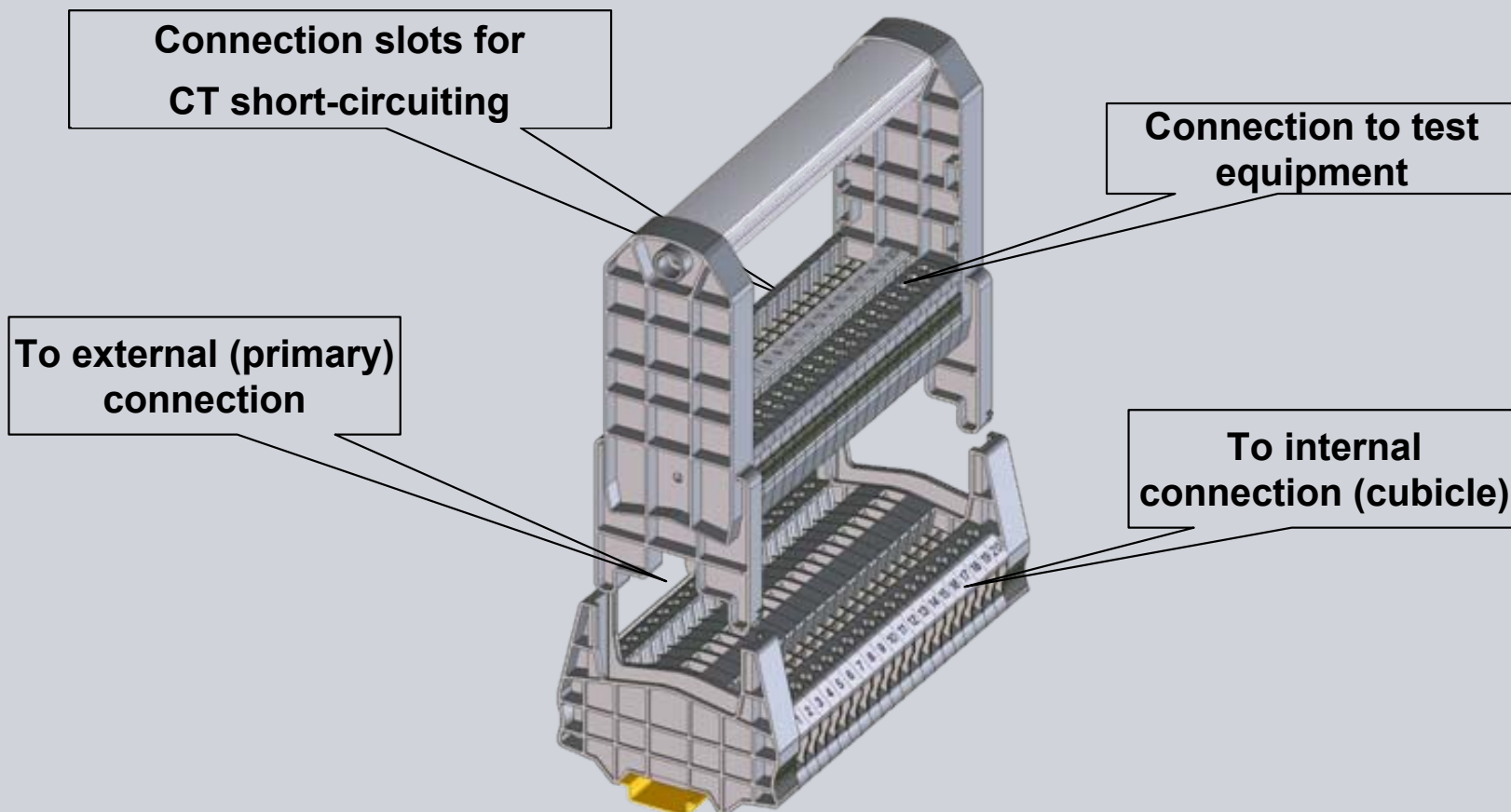


# New approach: Test concept with new test disconnect terminal (UTME 6-MP) and test disconnect plug (SMP)



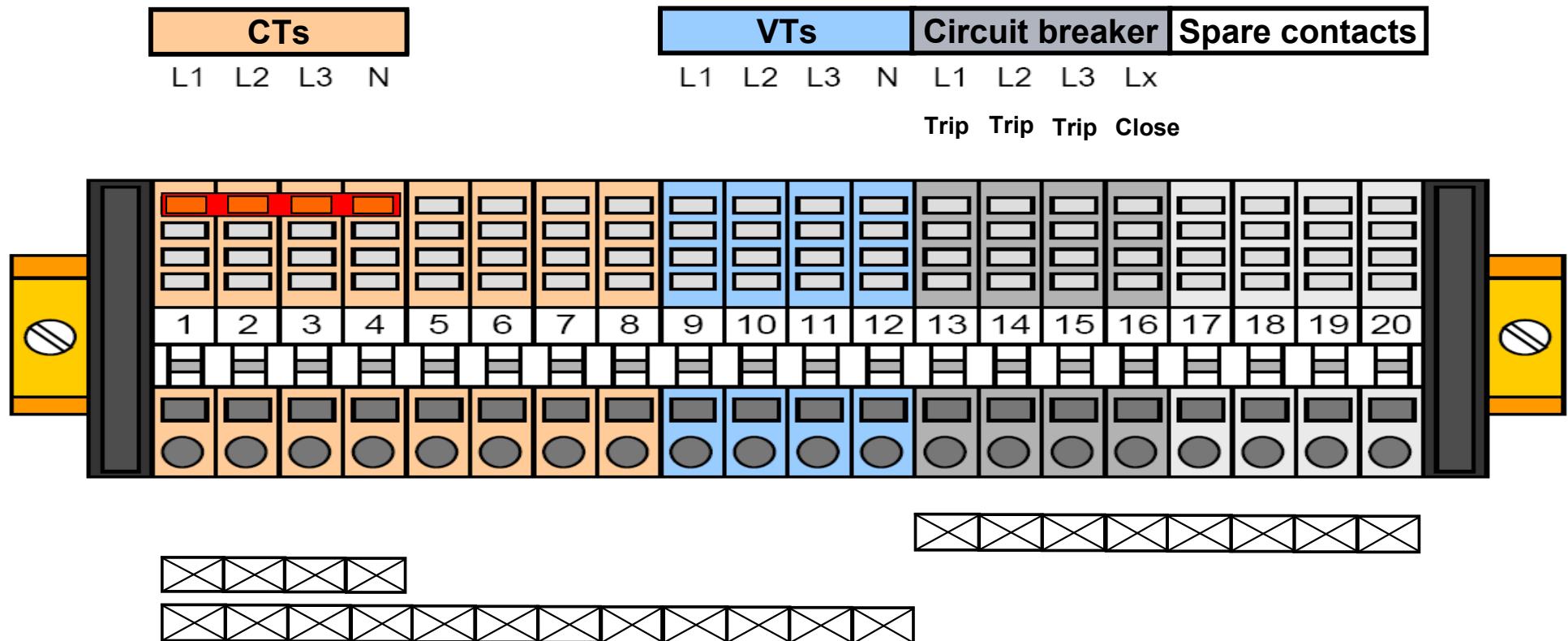


## Test disconnect terminal UTME 6-MP: Features



# Main principle of test disconnect plug SMP

## Example without an open starpoint



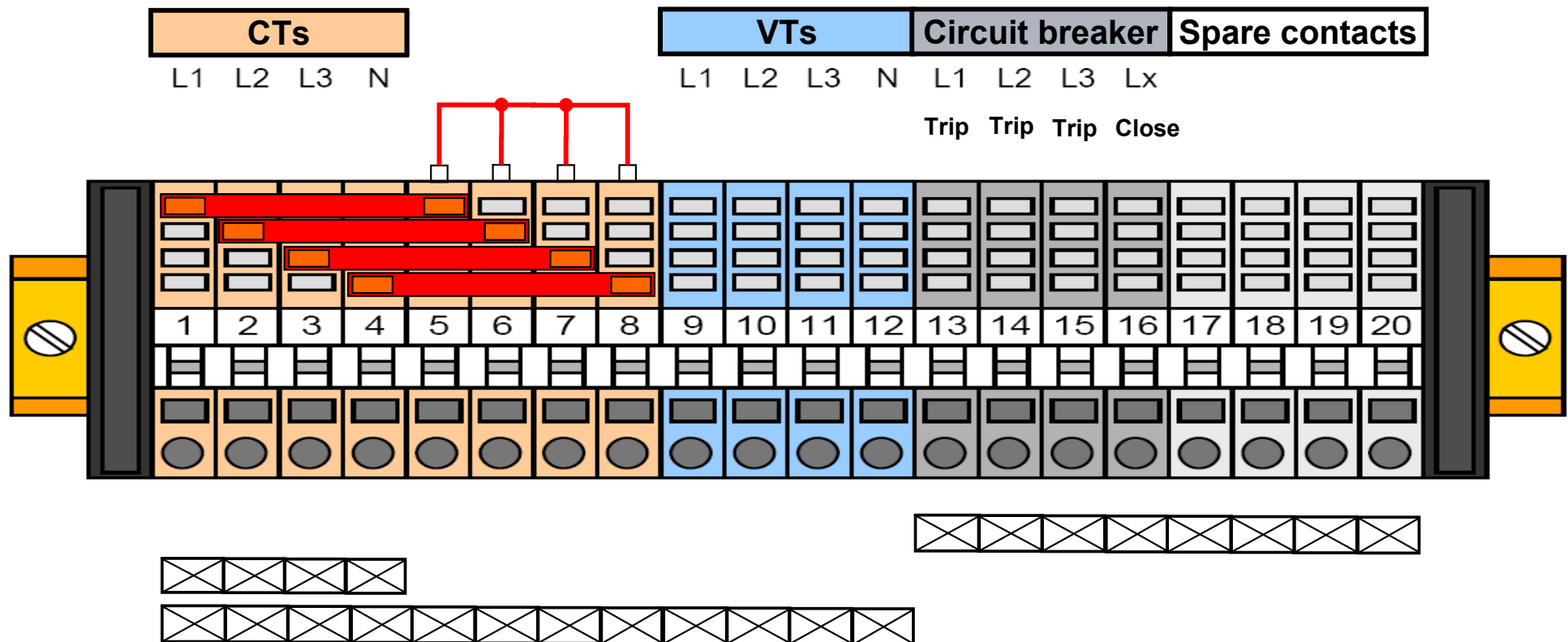
**1st step: Disconnect trip signals**

**2nd step: Automatic short-circuiting of CT circuits**

**3rd step: Disconnect external (primary) side**

# Main principle of test disconnect plug SMP

## Example with an open starpoint

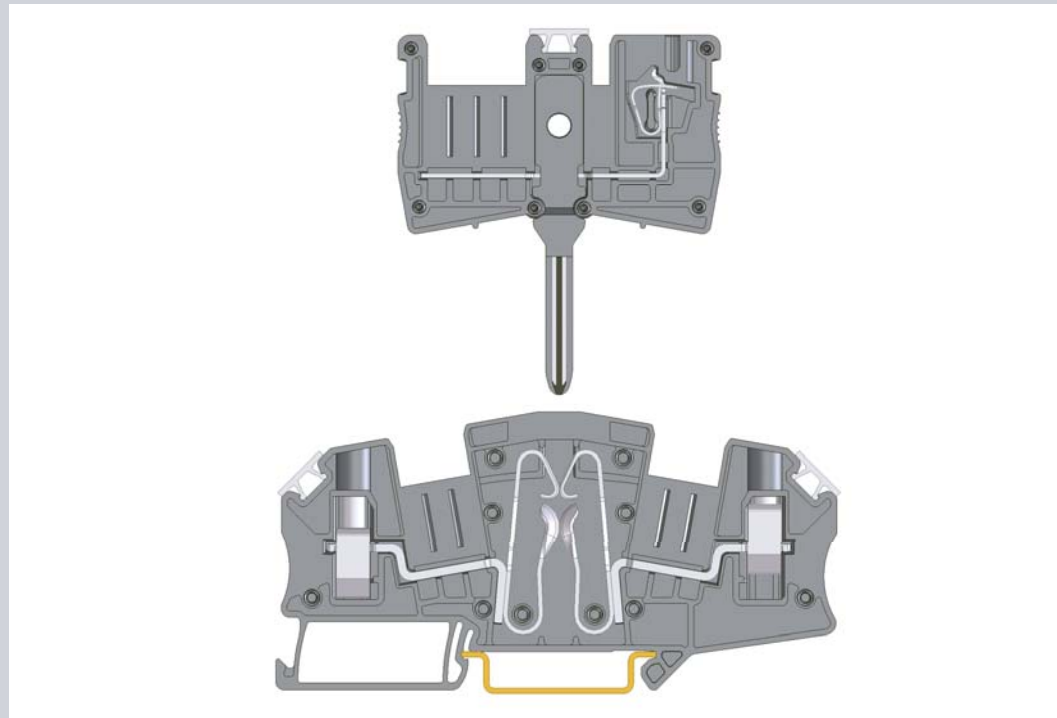


**1st step: Disconnect trip signals**

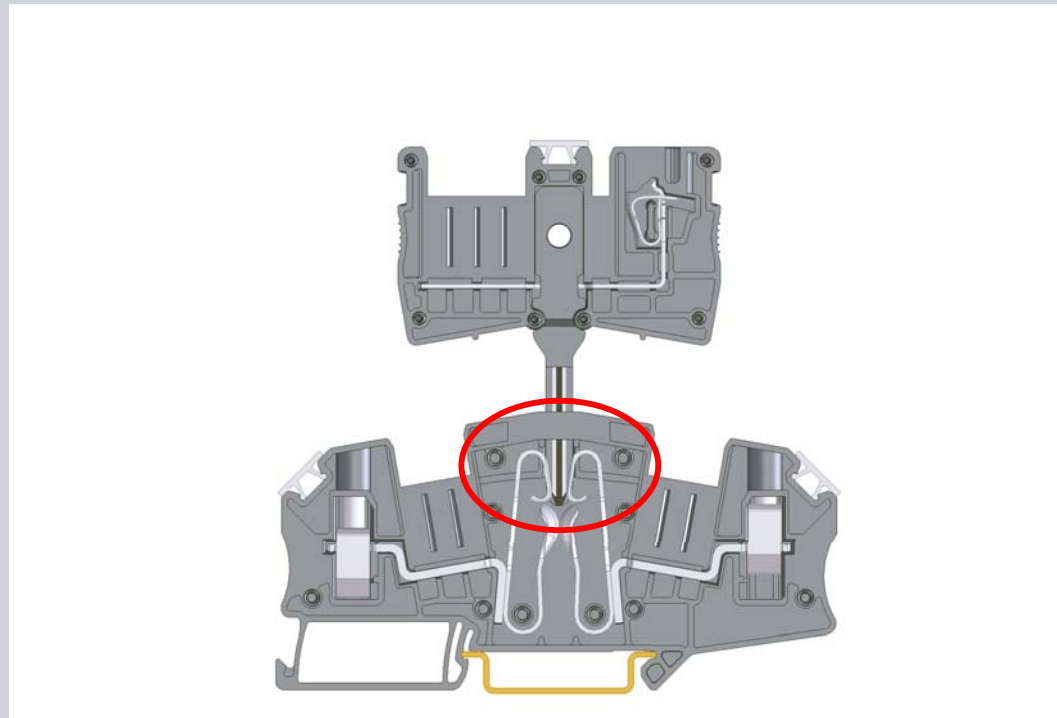
**2nd step: Automatic short-circuiting of CT circuits**

**3rd step: Disconnect external (primary) side**

## UTME 6-MP/SMP: Insertion operation



## UTME 6-MP/SMP: Insertion operation 1st cycle

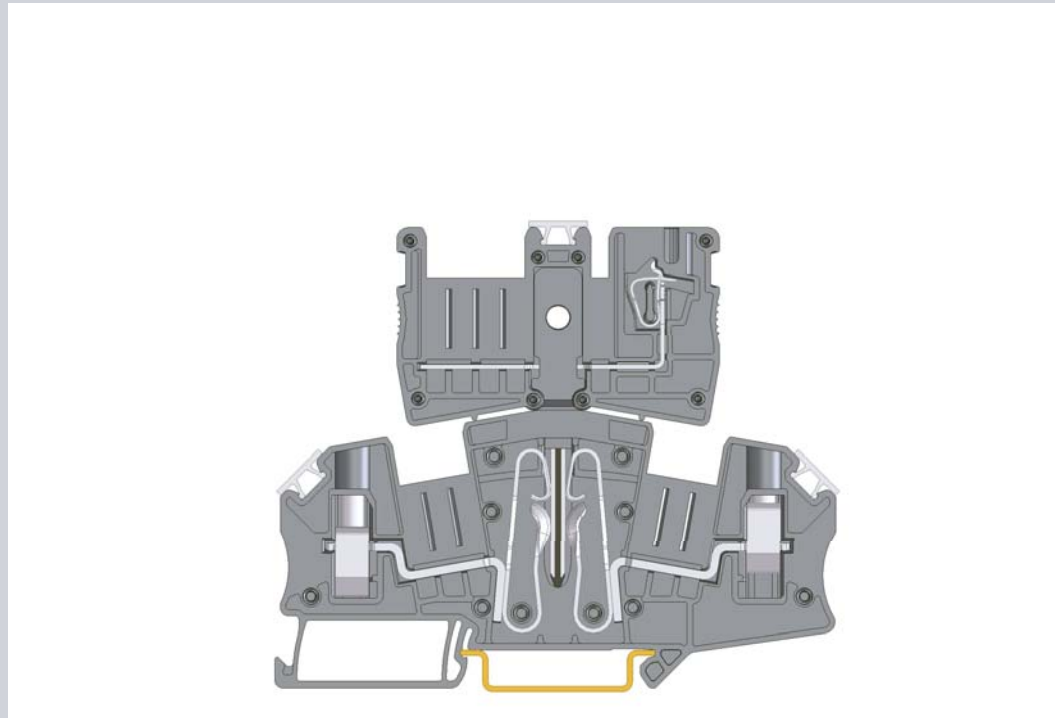


**Short-circuiting**

**Enhanced security through double-contacting!**

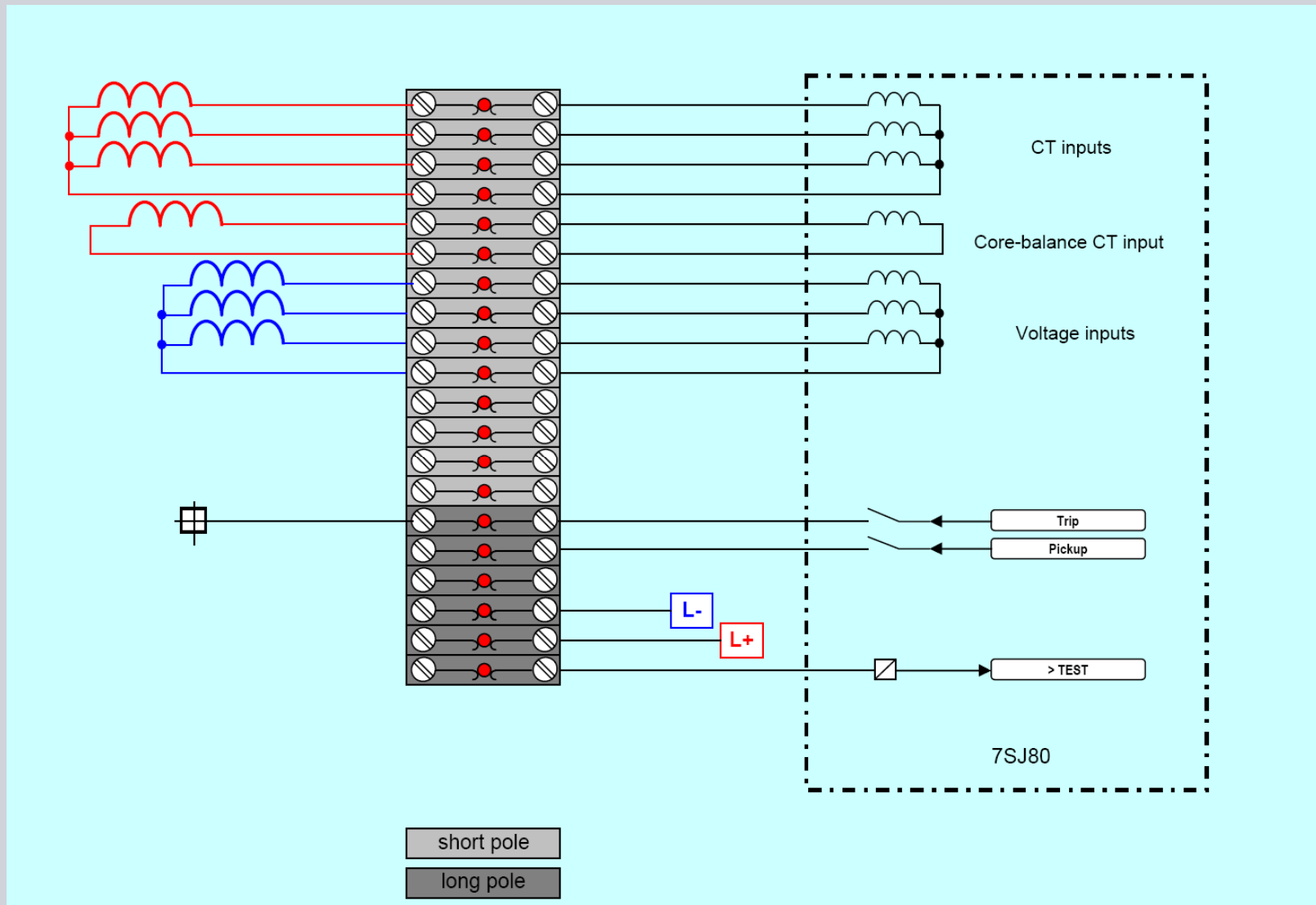


## UTME 6-MP/SMP: Insertion operation 2nd cycle

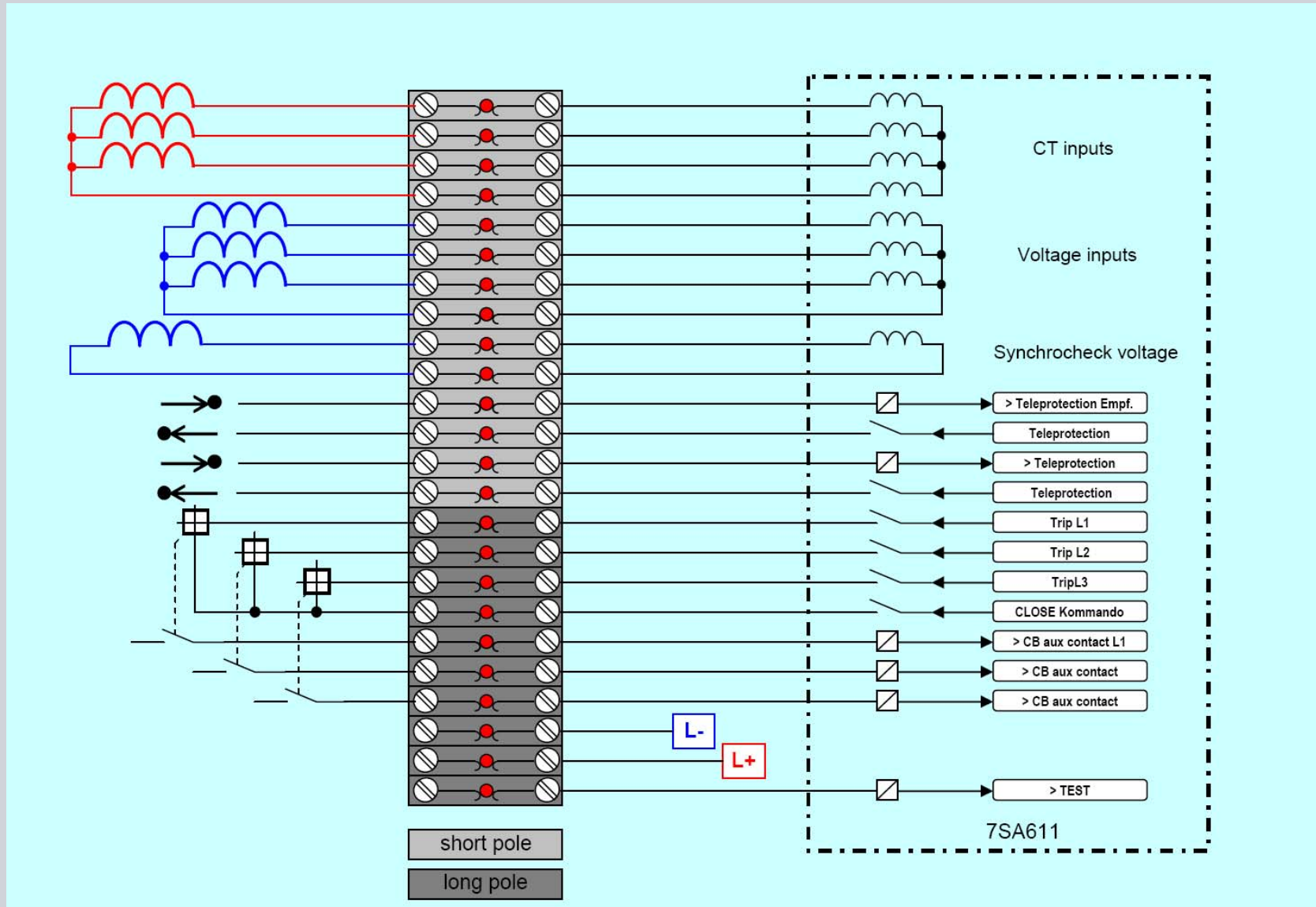


**Disconnecting**

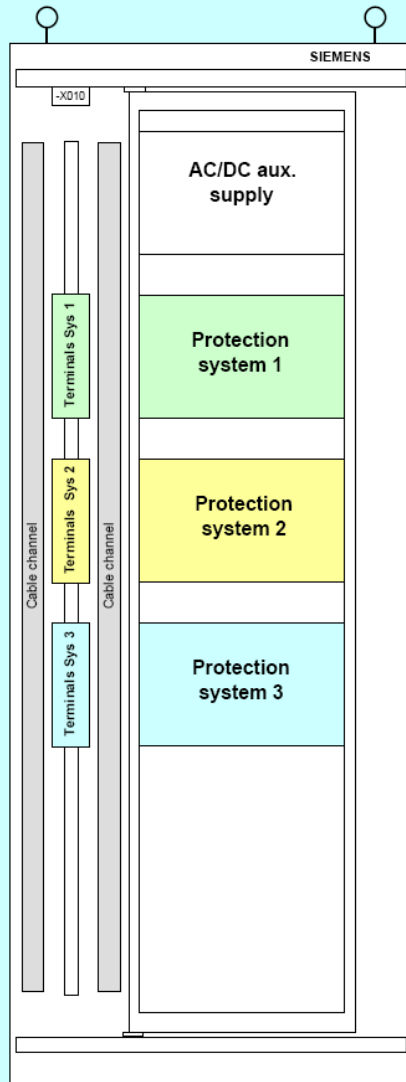
# Application example for overcurrent protection



# Application example for distance protection

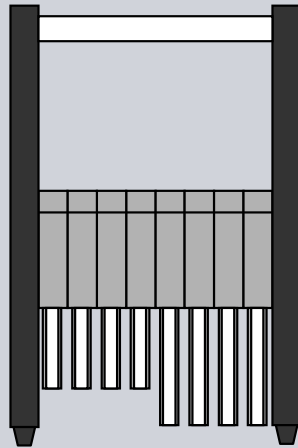


## New panel design

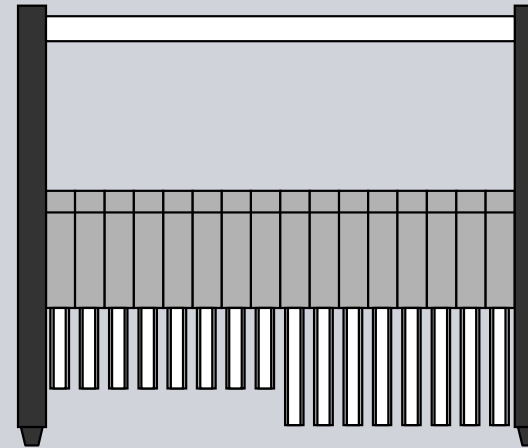


Mounting on the side sheet metal  
 -> pluggable at the front

# Test disconnect plugs SMP: Versions (1)



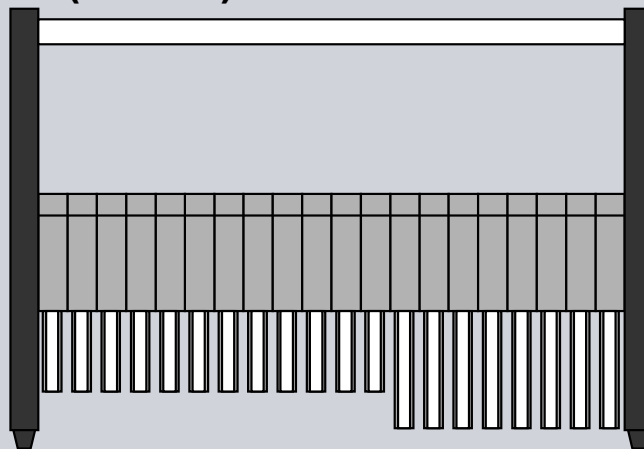
Version 1: SMP 8/8-CUS (4S+4L)



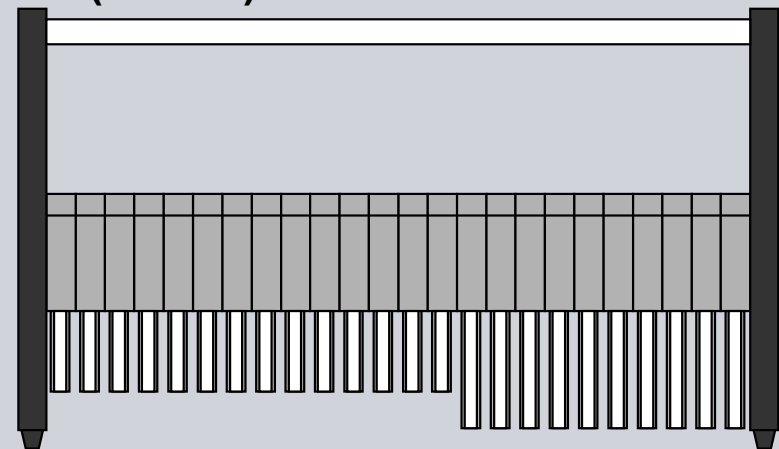
Version 2: SMP 8/16-CUS (8S+8L)

S: Short poles  
L: Long poles

SMP 8/20:  
X=A: 9S+11L  
X=B: 12S+8L  
X=C: 14S+6L



Version 3: SMP 8/20-CUS X (9S+11L or 12S+8L or 14S+6L)



Version 4: SMP 8/24-CUS (14S+10L)

## Test disconnect plugs SMP: Versions (2)

### **PHO:3208427 (SMP 8/8-CUS)**

8-POLE TEST DISCONNECT PLUG:

4 SHORT POLES AND 4 LONG POLES, INCL. FLANGE COVER AND HANDLE, CONSECUTIVELY MARKED, INCL. ACCESSORIES:  
1 PC. 2-POLE PLUG-IN BRIDGE, 1 PC. 4-POLE PLUG-IN BRIDGE, 8 PCS TEST ADAPTOR FOR 4MM BANANA PLUGS

### **PHO:3208485 (SMP 8/16-CUS)**

16-POLE TEST DISCONNECT PLUG:

8 SHORT POLES AND 8 LONG POLES, INCL. FLANGE COVER AND HANDLE, CONSECUTIVELY MARKED INCL. ACCESSORIES:  
4 PCS. 2-POLE PLUG-IN BRIDGE, 2 PCS. 4-POLE PLUG-IN BRIDGE, 16 PCS TEST ADAPTOR FOR 4MM BANANA PLUGS

### **PHO:3208443 (SMP 8/20-CUS A)**

20-POLE TEST DISCONNECT PLUG:

9 SHORT POLES AND 11 LONG POLES, INCL. FLANGE COVER AND HANDLE, CONSECUTIVELY MARKED INCL. ACCESSORIES:  
4 PCS. 2-POLE PLUG-IN BRIDGE, 4 PCS. 3-POLE PLUG-IN BRIDGE, 2 PCS. 4-POLE PLUG-IN BRIDGE, 1 PC PLUG-IN BRIDGE  
POSITION 1-AND-5, 20 PCS TEST ADAPTOR FOR 4MM BANANA PLUGS

### **PHO:3245985 (SMP 8/20-CUS B)**

20-POLE TEST DISCONNECT PLUG:

12 SHORT POLES AND 8 LONG POLES, INCL. FLANGE COVER AND HANDLE, CONSECUTIVELY MARKED INCL. ACCESSORIES:  
3 PCS. 2-POLE PLUG-IN BRIDGE, 3 PCS. 4-POLE PLUG-IN BRIDGE, 4 PCS. PLUG-IN BRIDGE POSITION 1-AND-4, 20 PCS TEST  
ADAPTOR FOR 4MM BANANA PLUGS

### **PHO:3245972 (SMP 8/20-CUS C)**

20-POLE TEST DISCONNECT PLUG:

14 SHORT POLES AND 6 LONG POLES, INCL. FLANGE COVER AND HANDLE, CONSECUTIVELY MARKED INCL. ACCESSORIES:  
3 PCS. 2-POLE PLUG-IN BRIDGE, 3 PCS. 4-POLE PLUG-IN BRIDGE, 20 PCS TEST ADAPTOR FOR 4MM BANANA PLUGS

### **PHO:3208498 (SMP 8/24-CUS)**

24-POLE TEST DISCONNECT PLUG:

14 SHORT POLES AND 10 LONG POLES, INCL. FLANGE COVER AND HANDLE, CONSECUTIVELY MARKED INCL. ACCESSORIES:  
3 PCS. 2-POLE PLUG-IN BRIDGE, 3 PCS. 4-POLE PLUG-IN BRIDGE, 4 PCS. PLUG-IN BRIDGE POSITION 1-AND-4, 24 PCS TEST  
ADAPTOR FOR 4MM BANANA PLUGS



# Test disconnect terminal and plug UPME 6-MP / SMP

## Summary



### Cost savings

- Engineering
- Purchasing
- Erection and Commissioning
- Maintenance

### Advantages

- Enhanced security
- Flexible test facilities
- Flexible connection to test equipment