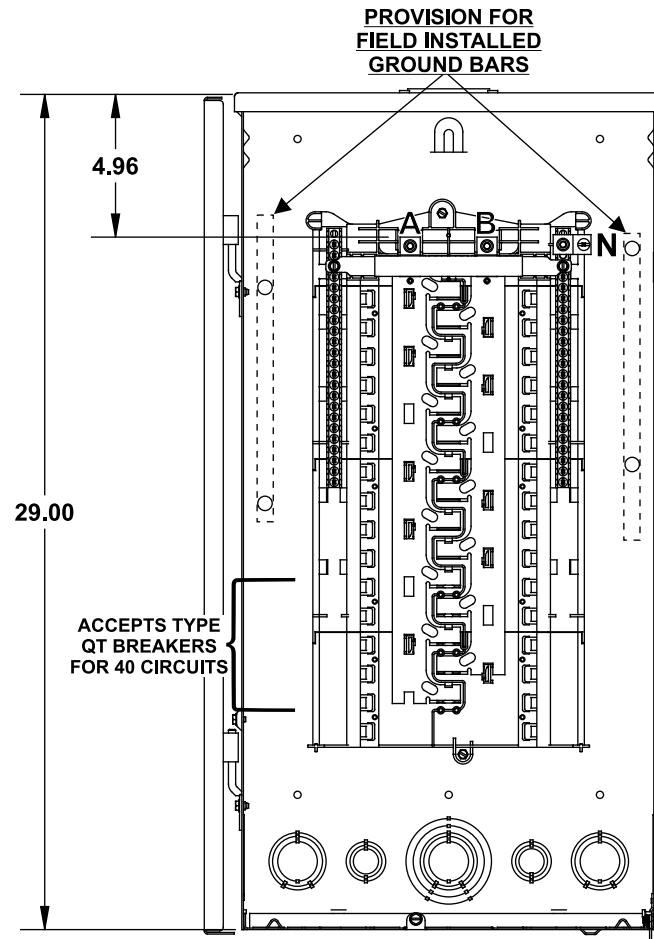


Catalog Numbers, Features and Ratings

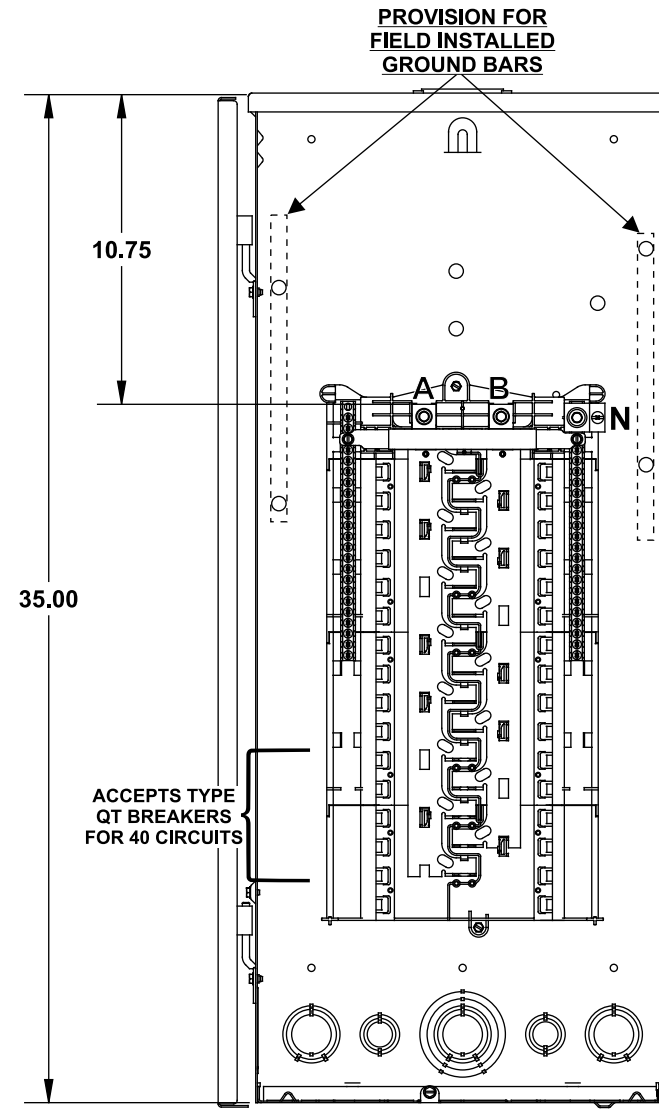
- 1 PHASE, 3 WIRE, 120/240V ~
- 100K AIC MAX. RATED
(SEE WIRING DIAGRAM FOR DETAILS)
- MAIN LUG ONLY
- TYPE N3R OUTDOOR ENCLOSURE
- ANSI 61 GRAY POWDER COATED

| Catalog Number | ENCLOSURE DIMS | | | Amps Max | Number Spaces | Number Circuits | Bus Bar Material | Bus Bar Plating | Percent Neutrals |
|----------------|----------------|-------|------|----------|---------------|-----------------|------------------|-----------------|------------------|
| | L | W | D | | | | | | |
| SW3040L1125 | 29.00 | 14.25 | 3.88 | 125 | 30 | 40 | Aluminum | Tin Plated | 100% |
| SW3040L1200 | 35.00 | 14.25 | 3.88 | 200 | 30 | 40 | Aluminum | Tin Plated | 100% |
| SW3054L1200 | 35.00 | 14.25 | 3.88 | 200 | 30 | 54 | Aluminum | Tin Plated | 100% |

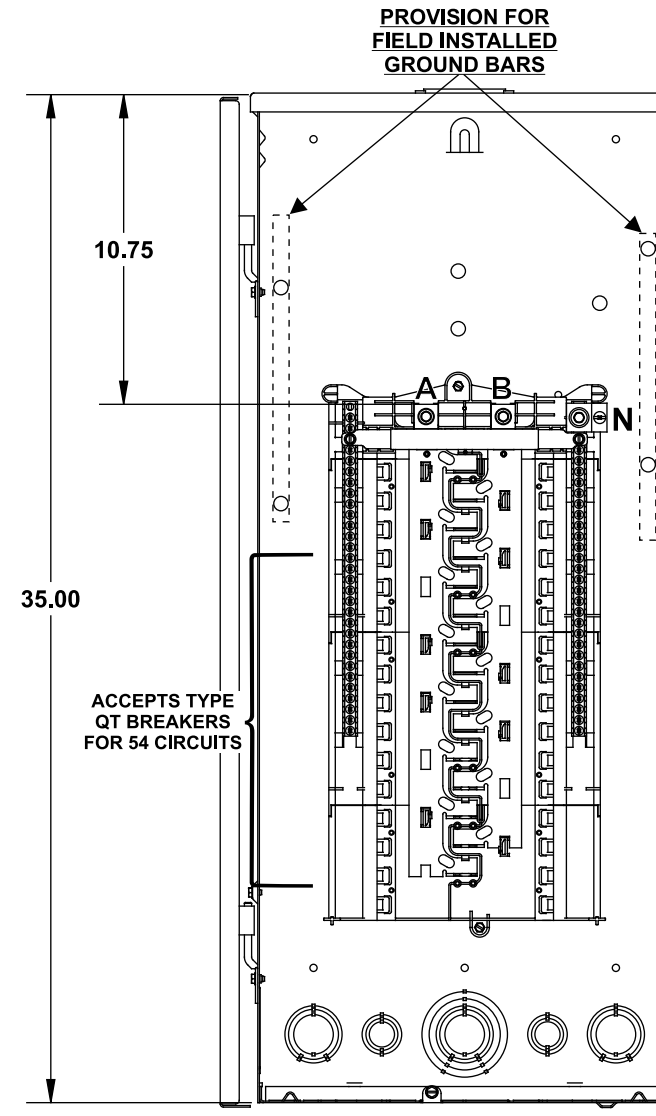
SW3040L1125



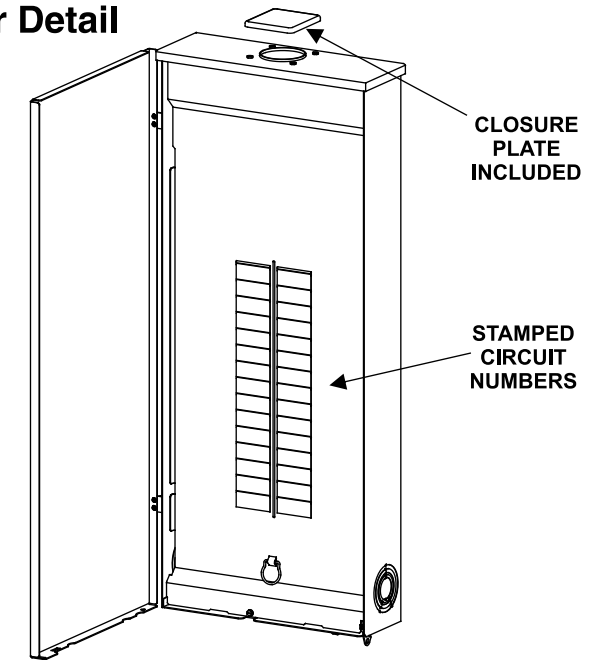
SW3040L1200



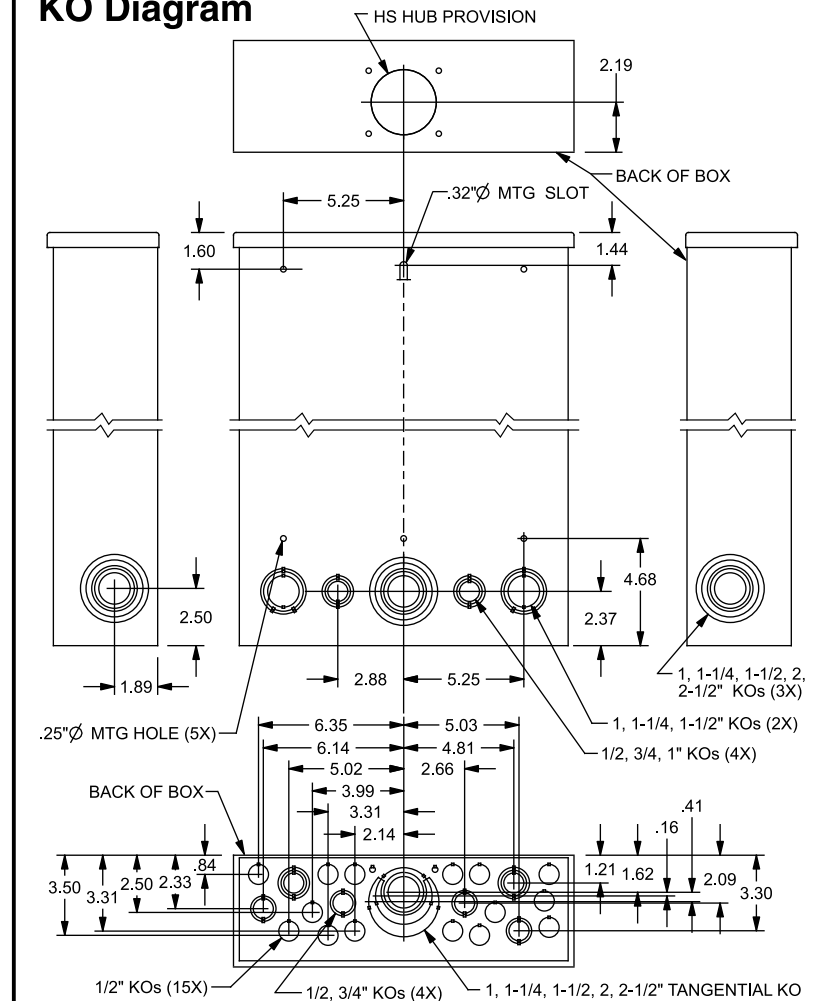
SW3054L1200



Trim/Door Detail



KO Diagram



TERMINAL WIRE SIZES AND TORQUES

SW3040L1125

USE COPPER OR ALUMINUM 60°/75°C WIRE
SEE BREAKER MARKINGS FOR WIRE SIZE AND TORQUE REQUIREMENTS

| TERMINALS | WIRE | TORQUE |
|---|---------------------------------------|-------------------------------------|
| A, B, N | #1 - 4 AWG CU; 2/0 - 4 AWG AL | 110 LB-INS |
| NEUTRAL/GROUND BARS (USE TYPE EC3GB GROUND BAR KIT ACCESSORY) | 10-14 CU/10-12 AL 8 AWG 6-4 AWG | 20 LB-INS 25 LB-INS 35 LB-INS |
| GROUND CONDUCTORS ONLY | (2)or(3) 14 AWG (2) 12-10 AWG | 20 LB-INS 20 LB-INS |
| ECLK1-2 NEUTRAL LUG KIT | 2/0-4 AWG | 45 LB-INS |
| ECLK2 NEUTRAL LUG KIT | 2/0-4 AWG | 135 LB-INS |
| MAIN LUG TO BUS CONNECTION (1/4-20 NUT) | | 45 LB-INS |
| BONDING SCREW | | 45 LB-INS |

SW3040L1200 SW3054L1200

USE COPPER OR ALUMINUM 60°/75°C WIRE
SEE BREAKER MARKINGS FOR WIRE SIZE AND TORQUE REQUIREMENTS

| TERMINALS | WIRE | TORQUE |
|---|---------------------------------------|-------------------------------------|
| A, B, N | 300kcmil - 4 AWG | 275 LB-INS |
| NEUTRAL/GROUND BARS (USE TYPE EC3GB GROUND BAR KIT ACCESSORY) | 10-14 CU/10-12 AL 8 AWG 6-4 AWG | 20 LB-INS 25 LB-INS 35 LB-INS |
| GROUND CONDUCTORS ONLY | (2)or(3) 14 AWG (2) 12-10 AWG | 20 LB-INS 20 LB-INS |
| ECLK1-2 NEUTRAL LUG KIT | 2/0-4 AWG | 45 LB-INS |
| ECLK2 NEUTRAL LUG KIT | 2/0-4 AWG | 135 LB-INS |
| ECLK3 NEUTRAL LUG KIT | 300 kcmil - 1 AWG | 340 LB-INS |
| MAIN LUG TO BUS CONNECTION (1/4-20 NUT) | | 45 LB-INS |
| BONDING SCREW | | 45 LB-INS |

ACCESSORIES

REFER TO WIRING DIAGRAM FOR
CORRECT ACCESSORY USAGE

| ACCESSORIES | |
|-----------------------------|----------------------|
| DESCRIPTION | CAT. NO. |
| FILLER PLATE, 1" | QF3 |
| BREAKER HOLD-DOWN | ECMBR2 |
| BONDABLE GROUND LUG | ECLKB1 |
| SUBFEED LUG KIT | ECLK2125 ECLK2225 |
| ARC FLASH LABEL | EC AFL |
| STANDBY PWR INTERLOCK KITS: | |
| ECSBP01, ECSBP02, ECSBP03, | |
| ECSBP05, ECSBP06, ECSBP07 | |

| GROUND BAR KITS | |
|------------------------------------|----------|
| DESCRIPTION | CAT. NO. |
| TYPE EC3GB KIT, 21 SCREWS | EC3GB21 |
| TYPE EC3GB KIT, 21 SCREWS, 2/0 LUG | EC3GB212 |
| TYPE EC3GB KIT, 27 SCREWS | EC3GB27 |
| TYPE EC3GB KIT, 27 SCREWS, 2/0 LUG | EC3GB272 |
| TYPE EC3GB KIT, 30 SCREWS | EC3GB30 |
| TYPE EC3GB KIT, 30 SCREWS, 2/0 LUG | EC3GB302 |
| TYPE EC3GB KIT, 35 SCREWS, 2/0 LUG | EC3GB352 |

| CONDUIT HUBS | |
|--------------|----------|
| TRADE SIZE | CAT. NO. |
| 1 INCH | ECHS100 |
| 1-1/4 INCH | ECHS125 |
| 1-1/2 INCH | ECHS150 |
| 2 INCH | ECHS200 |
| 2-1/2 INCH | ECHS250 |

© 2011 Copyright Siemens Industry, Inc.

SIEMENS
Siemens Industry, Inc.

ES Series Load Centers™

Description: **1 Phase, Outdoor,
30 Position, Main Lug Cut Sheet**

KAM 6/20/11 DO NOT SCALE DRAWING Dwg No: 10D 30 ES ML