

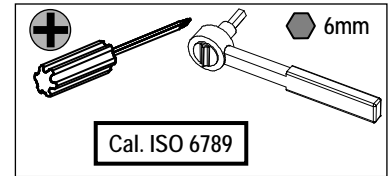
	U.S. Cat. No.	Euro Order No.
Item:	SRTNF3	3VL9700-4RH31
	SRTNF4	3VL9700-4RJ41
	RTLNSF	3VL9700-4RG01

For Use With Frame NG  
 Para Usar Con Caja Base NG

Installation Instructions / Instructivo de Instalación

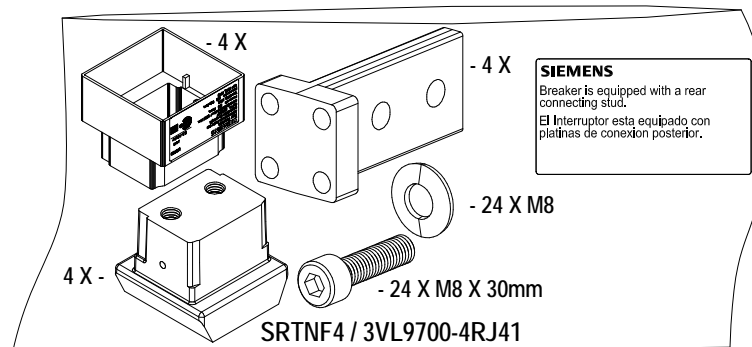
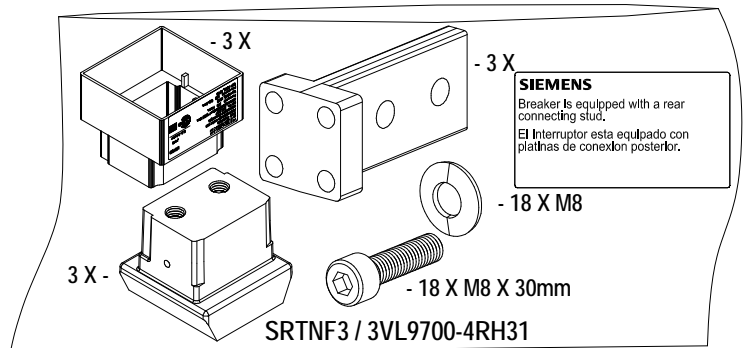
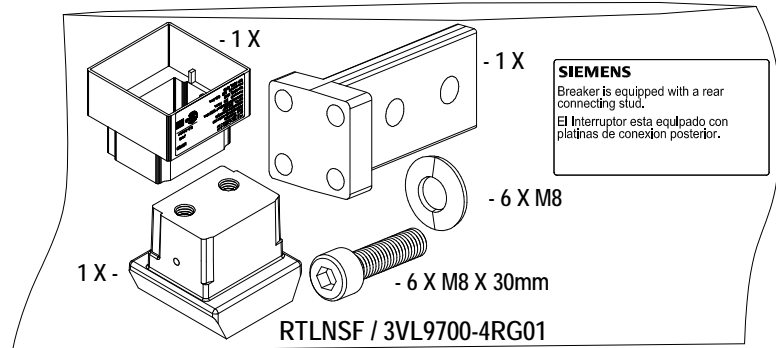
	 <b>Danger</b>	 <b>Peligro</b>	 <b>Danger!</b>
	<b>Hazardous Voltage</b> Will cause death or serious injury	<b>Tensión peligrosa.</b> Puede causar la muerte o lesiones graves.	<b>Tension dangereuse.</b> Danger of mort ou risque de blessures graves.
	Turn off and lock out all power supplying this device before working on this device. Replace all covers before power supplying this device is turned on.	Desenergice totalmente antes de instalar o darle servicio. Reemplace todas las barreras y cubiertas antes de energizar el interruptor.	Couper l'alimentation de l'appareil et barrer avant de travailler. Remplacez tous les couverts avant que l'alprovisionnement de pouvoir soit alimenté.

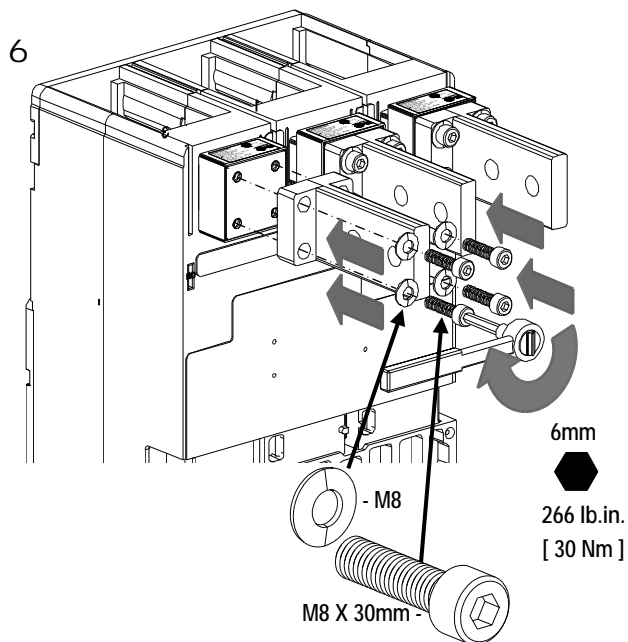
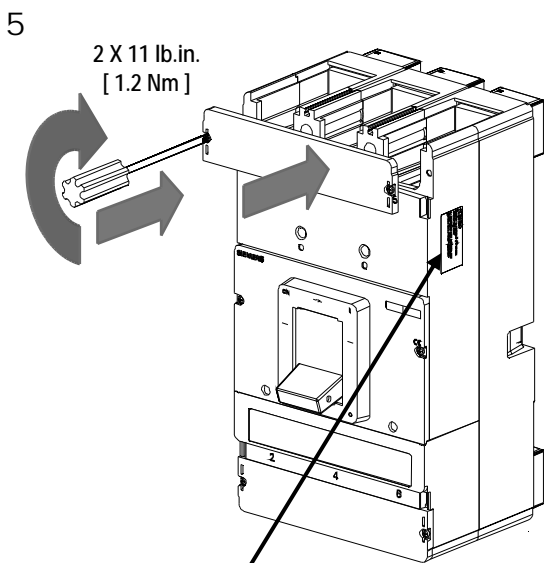
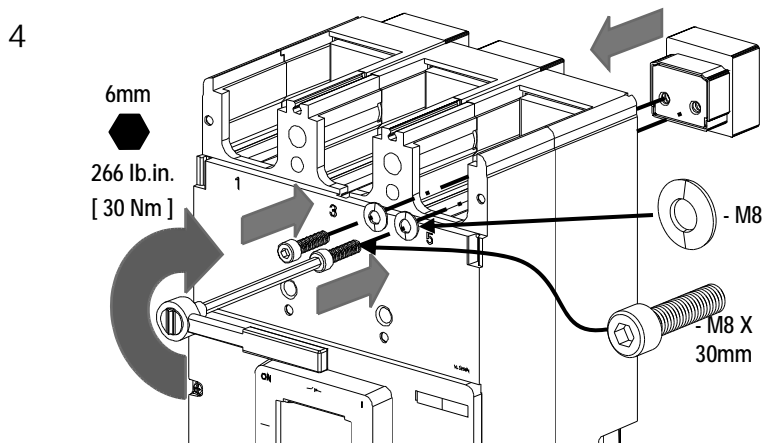
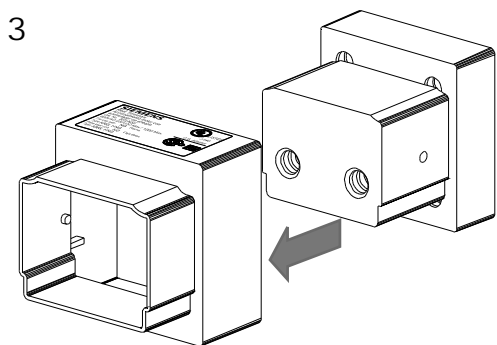
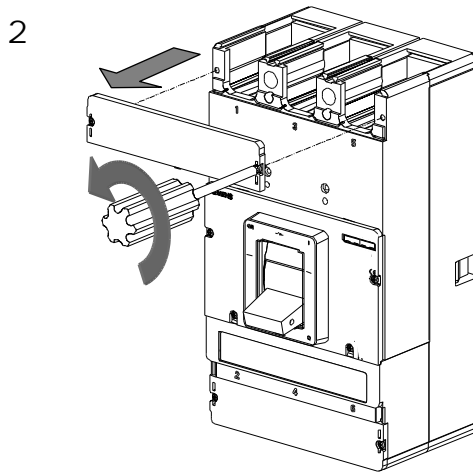
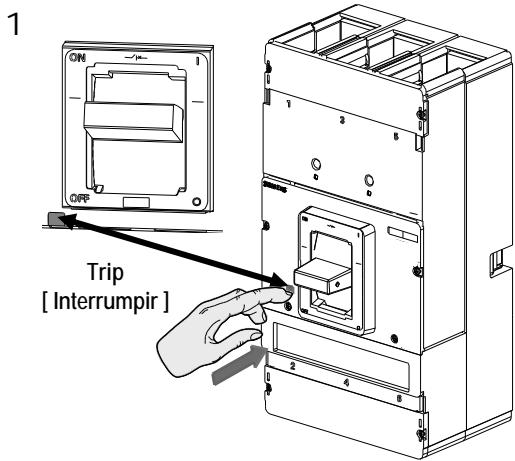
Use only with Siemens certified Components.  
 Utilizar únicamente con componentes certificados de Siemens.  
 A utiliser uniquement avec les composants certifiés Siemens.



NOTE - These instructions do not purport to cover all details or variations in equipment, or to provide for every possible contingency to be met in connection with installation, operation or maintenance. Should further information be desired or should particular problems arise, which are not covered sufficiently for the purchaser's purposes, the matter should be referred to the local Siemens sales office. The contents of this instruction manual shall not become part of or modify any prior or existing agreement, commitment or relationship. The sales contract contains the entire obligation of Siemens. The warranty contained in the contract between the parties is the sole warranty of Siemens. Any statements contained herein do not create new warranties or modify the existing warranty.

Trademarks - Unless otherwise noted, all names identified by ® are registered trademarks of Siemens AG or Siemens Industry, Inc. The remaining trademarks in this publication may be trademarks whose use by third parties for their own purposes could violate the rights of the owner.





**SIEMENS**

Breaker is equipped with a rear connecting stud.

El Interruptor esta equipado con  
platinas de conexion posterior.



**Danger**

**Hazardous Voltage**

**Will cause death or serious injury**

Turn off and lock out all power supplying this device before working on this device.

Replace all covers before power supplying this device is turned on.



**Peligro**

**Tensión peligrosa.**

**Puede causar la muerte o lesiones graves.**

Desenergice totalmente antes de instalar o darle servicio.

Reemplace todas las barreras y cubiertas antes de energizar el interruptor.



**Danger!**

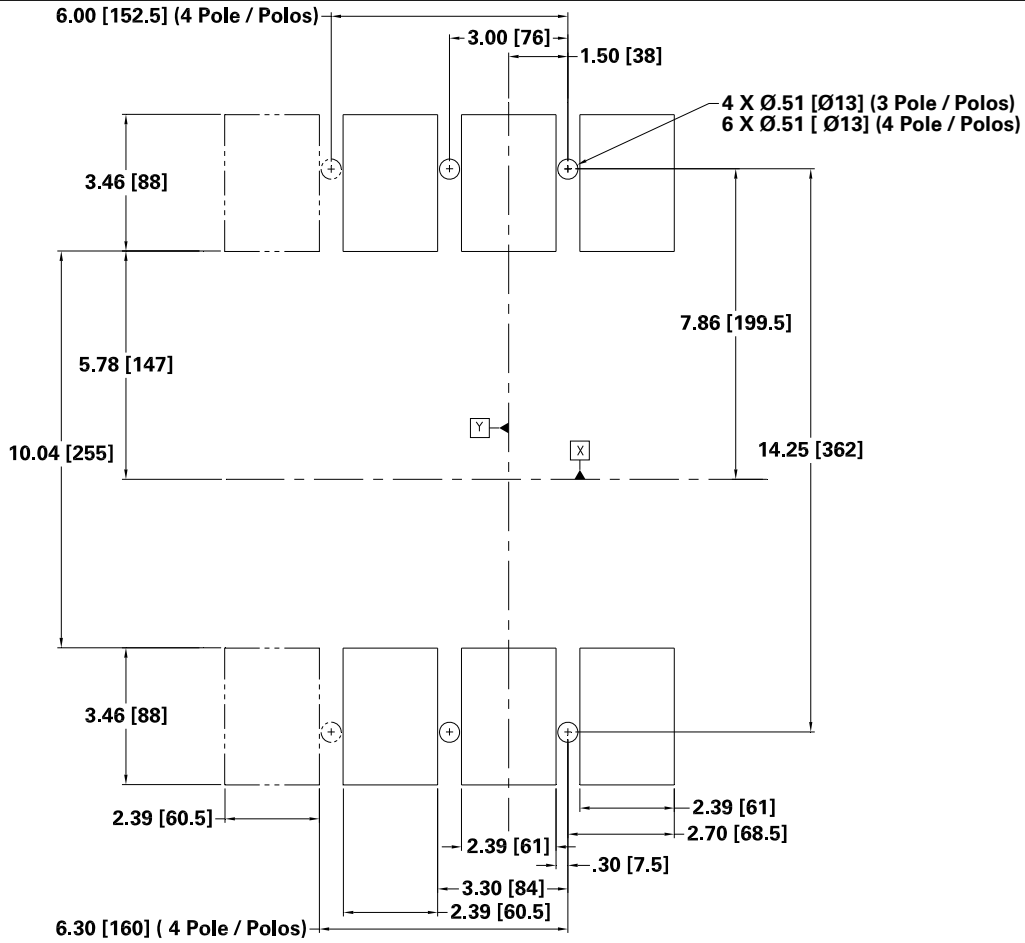
**Tension dangereuse.**

**Danger de mort ou risque de blessures graves.**

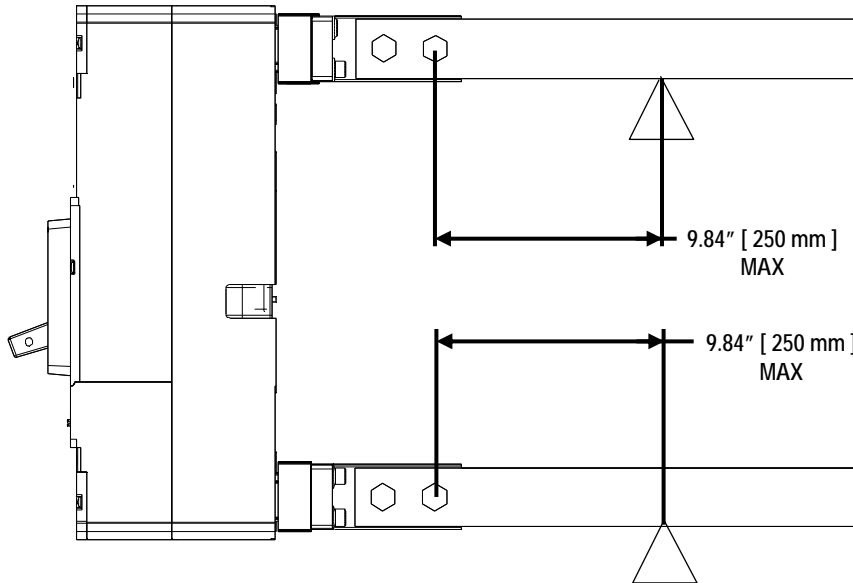
Couper l'alimentation de l'appareil et barrer avant de travailler.

Remplacez tous les couverts avant que l'alimentation de pouvoir soit alimenté.

7



8



**For Support in Europe refer to :**

Bestell-Nr. / Order No.: 3ZX1012-0VL68-5AA0

Internet: [www.siemens.de/lowvoltage/technical-assistance](http://www.siemens.de/lowvoltage/technical-assistance)

GWA 4NEB 179 6870-10 DS 02

Technical Support:

Toll Free: 1-800-241-4453

Internet: [www.usa.siemens.com/powerdistribution](http://www.usa.siemens.com/powerdistribution)

Subject to change without prior notice  
Siemens Industry, Inc., Norcross, GA 30092 U.S.A.